

SHALLCO SERIES 26

Part Number: 2612C

AMMETER TRANSFER SWITCH

3-phase, 3 Current Transformers
3 Independent Circuits

General:

Meets requirements for 1 - 25 ampere switching of resistive loads to .75 power factor at voltages to 600 V AC and 250 V DC resistive loads

Electrical:

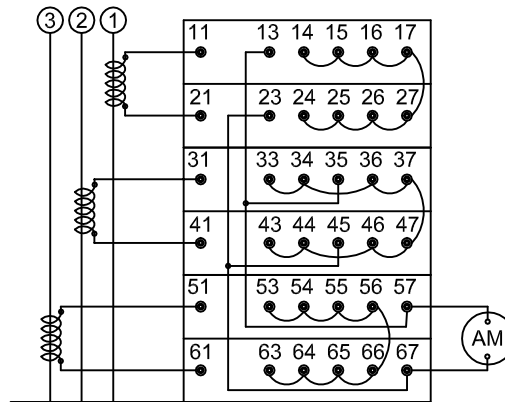
- * Voltages: 250 V DC, 600 V AC
- * Current carrying capacity: 25 amperes
- * Dielectric Withstanding Voltage: 2200 Vrms
- * Contact Resistance: Initial, 10 milliohms max.
- * Insulation Resistance: 100 Megohms min., initial

Mechanical:

- * Sections: 6
- * Positions: 5 See Schematic Diagram
- * Indexing: 45°
- * Rotational Life: 65,000 operations

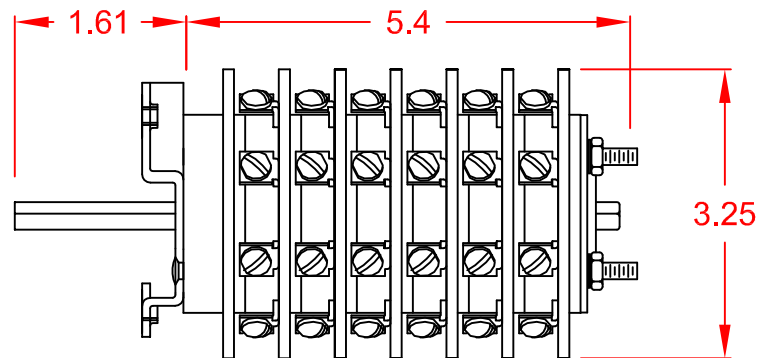
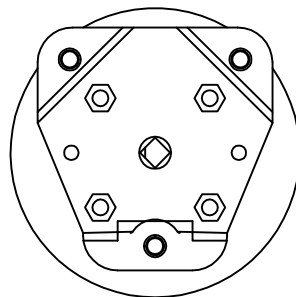
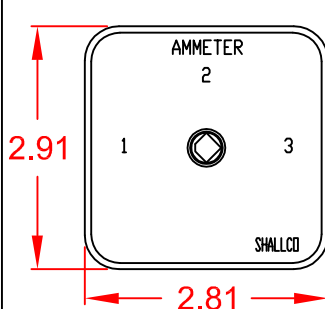
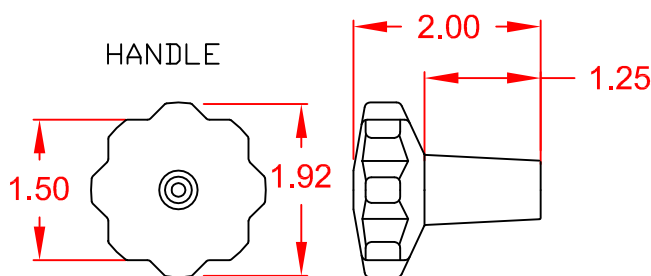
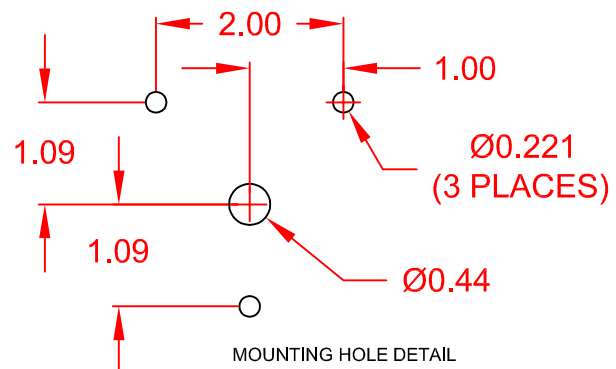
Materials and Finishes:

- * Rotors and Stators: Thermoset Plastic, UL 94VO
- * Rotor contacts: Phosphor bronze
- * Stator contacts: Silver plated copper, screw type
- * Terminal hardware: silver plated brass
- * Exterior Metal: Steel with zinc chromate finish
- * Knob: thermoset phenolic



CONTACT TABLE

DECK	CONTACTS	POSITION		
		1	2	3
1	13	X		
	14		X	
	15			X
	16		X	
	17			X
2	23	X		
	24		X	
	25			X
	26		X	
	27			X
3	33	X		
	34		X	
	35			X
	36		X	
	37			X
4	43	X		
	44		X	
	45			X
	46		X	
	47			X
5	53	X		
	54		X	
	55			X
	56		X	
	57			X
6	63	X		
	64		X	
	65			X
	66		X	
	67			X



2612C

REV A



308 COMPONENTS DRIVE
SMITHFIELD, NC 27577 USA