

SHALLCO SERIES 26
Part Number: 26511D

General:

Meets requirements for 1 - 25 ampere switching of resistive loads to .75 power factor at voltages to 600 V AC and 250 VDC resistive loads

Electrical:

- * Ratings: 25A/120 VAC
- 15A/600 VAC
- 20A/600 VAC (RESISTIVE)
- 3A/125 VDC
- 1A/250 VDC



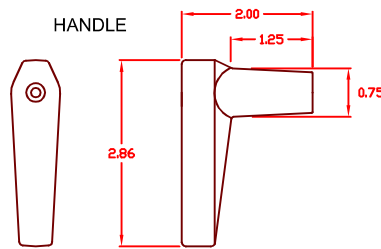
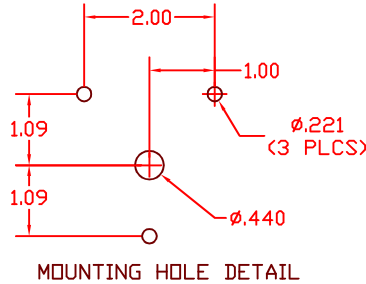
- * Current carrying capacity: 25 amperes
- * Dielectric Withstanding Voltage: 2200 Vrms
- * Contact Resistance: Initial, 10 milliohms max.
- * Insulation Resistance: 100 Megohms min., initial

Mechanical:

- * Sections: 11
- * Positions: Up to 8 (Adjustable)
- * Indexing: 45°
- * Rotational Life: 65,000 operations

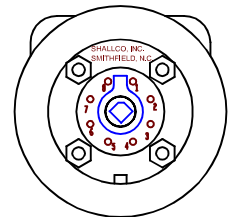
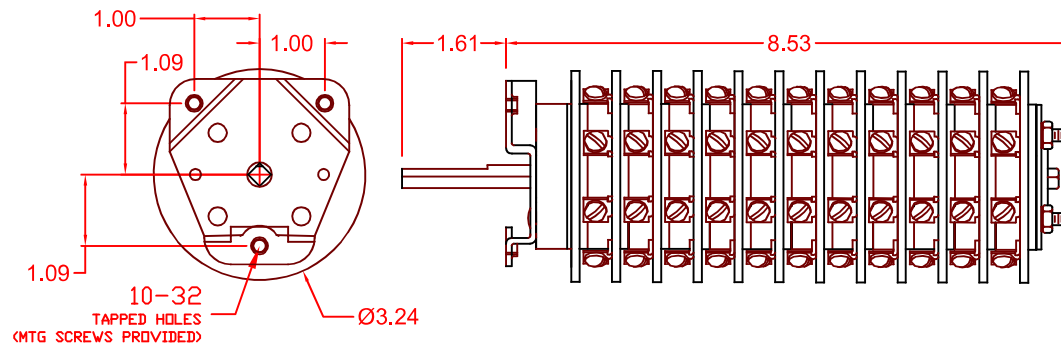
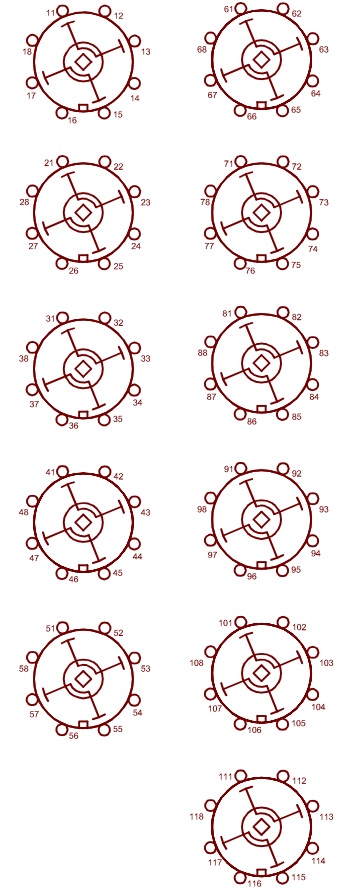
Materials and Finishes:

- * Rotors and Stators: Thermoset Plastic, UL 94VO
- * Rotor contacts: Phosphor bronze
- * Stator contacts: Silver plated copper, screw type
- * Terminal hardware: silver plated brass
- * Exterior Metal: Steel with zinc chromate finish
- * Knob: thermoset phenolic



DECK	CONTACTS	POS.							
		1	2	3	4	5	6	7	8
1	110-II-O13	X				X			
	120-II-O14		X			X			
	130-II-O15			X					
	140-II-O16				X				X
	150-II-O17	X				X			
	160-II-O18		X				X		
	170-II-O11			X				X	
	180-II-O12				X				X
	210-II-O23	X				X			
	220-II-O24		X						
2	230-II-O25		X				X		
	240-II-O26			X				X	
	250-II-O27	X				X			
	260-II-O28		X				X		
	270-II-O21			X				X	
	280-II-O22				X				X
	310-II-O33	X				X			
	320-II-O34		X				X		
	330-II-O35			X				X	
	340-II-O36				X				X
3	350-II-O37	X			X				
	360-II-O38		X				X		
	370-II-O31			X				X	
	380-II-O32				X				X
	410-II-O43	X				X			
	420-II-O44		X				X		
	430-II-O45			X				X	
	440-II-O46				X				X
	450-II-O47	X				X			
	460-II-O48		X				X		
4	470-II-O41			X				X	
	480-II-O42				X				X
	510-II-O53	X				X			
	520-II-O54		X				X		
	530-II-O55			X				X	
	540-II-O56				X				X
	550-II-O57	X				X			
	560-II-O58		X				X		
	570-II-O51			X				X	
	580-II-O52				X				X

DECK	CONTACTS	POS.							
		1	2	3	4	5	6	7	8
6	610-II-O63	X				X			
	620-II-O64		X			X			
	630-II-O65			X					
	640-II-O66				X				X
	650-II-O67	X				X			
	660-II-O68		X				X		
	670-II-O61			X				X	
	680-II-O62				X				X
	710-II-O73	X				X			
	720-II-O74		X						
7	730-II-O75		X				X		
	740-II-O76			X				X	
	750-II-O77	X				X			
	760-II-O78		X				X		
	770-II-O71			X				X	
	780-II-O72				X				X
	810-II-O83	X				X			
	820-II-O84		X				X		
	830-II-O85			X				X	
	840-II-O86				X				X
8	850-II-O87	X			X				
	860-II-O88		X				X		
	870-II-O81			X				X	
	880-II-O82				X				X
	910-II-O94	X				X			
	920-II-O94		X				X		
	930-II-O95			X				X	
	940-II-O96				X				X
	950-II-O97	X				X			
	960-II-O98		X				X		
9	970-II-O91			X				X	
	980-II-O92				X				X
	1010-II-O103	X				X			
	1020-II-O104		X				X		
	1030-II-O105			X				X	
	1040-II-O106				X				X
	1050-II-O107	X				X			
	1060-II-O108		X				X		
	1070-II-O101			X				X	
	1080-II-O102				X				X
10	1110-II-O113	X				X			
	1120-II-O114		X				X		
	1130-II-O115			X				X	
	1140-II-O116				X				X
	1150-II-O117	X				X			
	1160-II-O118		X				X		
	1170-II-O111			X				X	
	1180-II-O112				X				X



26511D