

**SHALLCO SERIES 26**  
**Part Number: 26303B**



**General:**

Meets requirements for 1 - 25 ampere switching of resistive loads to .75 power factor at voltages to 600 V AC and 250 V DC resistive loads

- Electrical Ratings:**
- 25A/120 VAC
  - 15A/600 VAC
  - 20A/600 VAC (RES)
  - 3A/125 VDC
  - 1A/250 VDC



- \* Current carrying capacity: 25 amperes
- \* Dielectric Withstanding Voltage: 2200 Vrms
- \* Contact Resistance: Initial, 10 milliohms max.
- \* Insulation Resistance: 100 Megohms min., initial

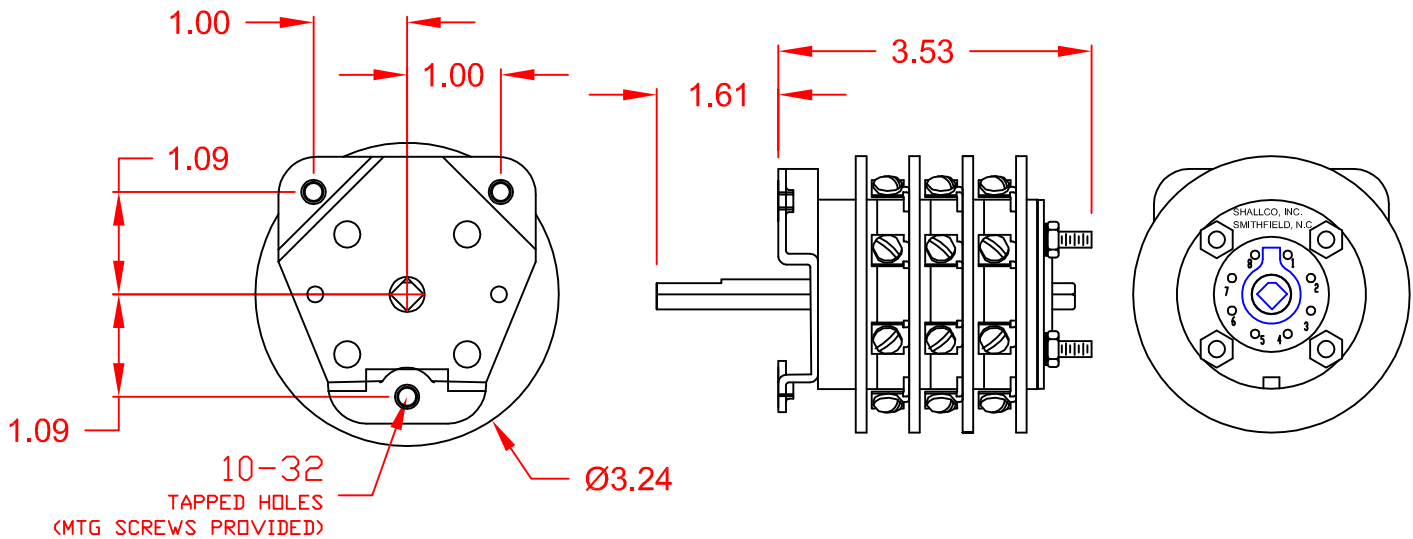
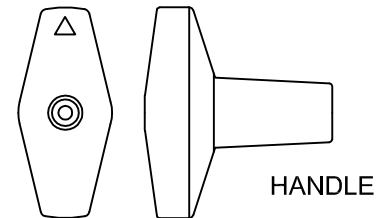
**Mechanical:**

- \* Sections: 3
- \* Positions: 8 Adjustable (See Truth Table)
- \* Indexing: 45° positive detent
- \* Rotational Life: 65,000 operations

**Materials and Finishes:**

- \* Rotors and Stators: Thermoset Plastic  
UL 94VO
- \* Rotor contacts: Phosphor bronze
- \* Stator contacts: Silver plated copper  
screw type
- \* Terminal hardware: silver plated brass
- \* Exterior Metal: Steel with zinc chromate finish

DECK	CONTACTS	POSITIONS								
		OFF	1	2	3	4	5	6	7	
1	110-12		X							
	110-13			X						
	110-14				X					
	110-15					X				
	110-16						X			
	110-17							X		
2	210-22	X								
	210-23		X							
	210-24			X						
	210-25				X					
	210-26					X				
	210-27						X			
3	310-32	X								
	310-33		X							
	310-34			X						
	310-35				X					
	310-36					X				
	310-37						X			
	310-38							X		



26303B



308 COMPONENTS DRIVE  
 SMITHFIELD, NC 27577 USA