

**SHALLCO SERIES 26**  
**Part Number: 26206B-2**

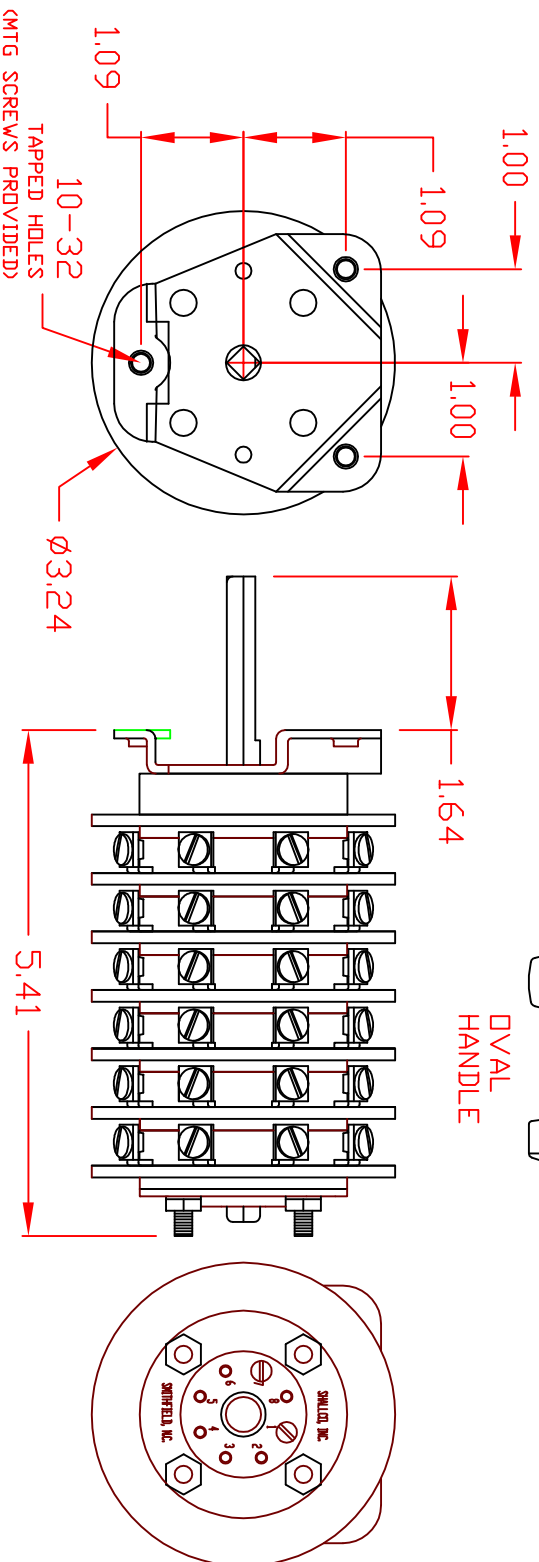


308 COMPONENTS DRIVE  
 SMITHFIELD, NC 27577 USA

**General:**  
 Meets requirements for 1 - 25 ampere switching of resistive loads to .75 power factor at voltages to 600 V AC and 250 V DC resistive loads

- Electrical:**
- \* Voltages: 250 V DC, 600 V AC
  - \* Current carrying capacity: 25 amperes
  - \* Dielectric Withstanding Voltage: 2200 Vrms
  - \* Contact Resistance: Initial, 10 milliohms max.
  - \* Insulation Resistance: 100 Megohms min., initial
- Materials and Finishes:**
- \* Rotors and Stators: Thermoset Plastic, UL 94V0
  - \* Rotor contacts: Phosphor bronze
  - \* Stator contacts: Silver plated copper, screw type
  - \* Terminal hardware: silver plated brass
  - \* Exterior Metal: Steel with zinc chromate finish
  - \* Knob: thermoset phenolic

- Mechanical:**
- \* Sections: 6
  - \* Positions: 2
  - \* Indexing: 45°
  - \* Rotational Life: 65,000 operations



**CONTACT TABLE**

DECK	CONTACTS	POS
1	12	11
	13	12
2	16	13
	17	14
3	22	17
	23	18
4	26	21
	27	22
5	32	25
	31	26
6	38	29
	35	30
7	42	33
	41	34
8	46	37
	43	38
9	48	41
	47	42
10	52	45
	51	46
11	56	49
	53	50
12	58	53
	57	54
13	62	57
	61	58
14	66	61
	65	62
15	68	65
	67	66



308 COMPONENTS DRIVE  
 SMITHFIELD, NC 27577 USA

**26206B-2**

