

SHALCO PRECISION OPEN FRAME SWITCH

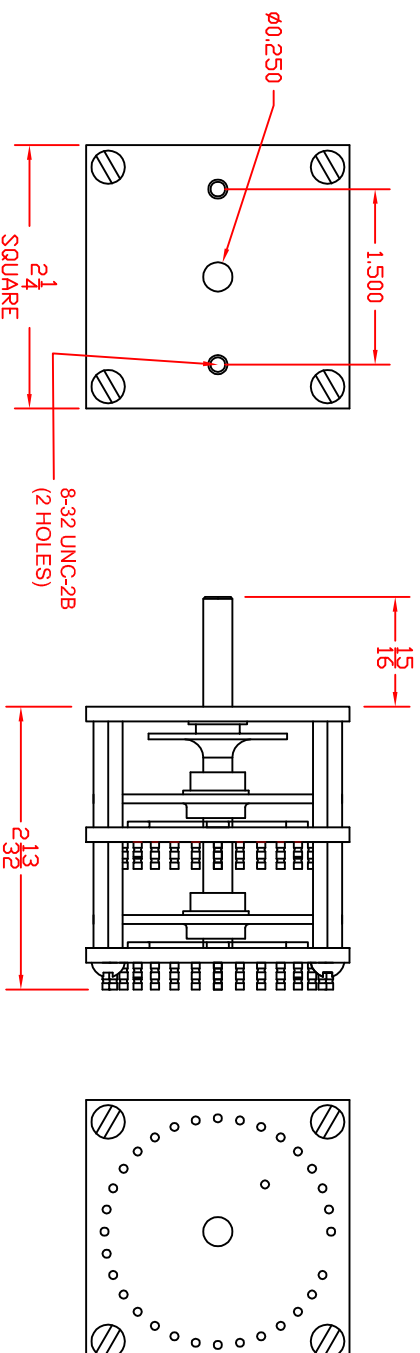


PART NUMBER 212-DM-31

DESCRIPTION:
NO. OF DECKS: 2
NO OF POLES PER DECK: 1
NUMBER OF POSITIONS: 31
TYPE ACTION: SHORTING (MAKE BEFORE BREAK)
ANGLE OF THROW: 11-1/4°

ELECTRICAL:
CURRENT CARRY CAPACITY: 10 AMPS
CURRENT SWITCHING CAPACITY: UP TO 2 AMPS
CONTACT RESISTANCE: .005 OHMS INITIAL
INSULATION RESISTANCE: 50,000 MEGOHMS INITIAL
DIELECTRIC WITHSTANDING VOLTAGE: 1500 VRMS INITIAL

MECHANICAL:
ROTATIONAL LIFE: 50,000 CYCLES MIN. (ONE CYCLE=ONE FULL CW AND ONE FULL CCW ROTATION)
STOP TORQUE: 50 IN-LBS
CONSTRUCTION: OPEN FRAME
WIPERS AND CONTACT PANELS: DUAL SILVER ALLOY WIPERS (TORSION BAR DESIGN). EPOXY LAMINATE PANELS WITH .025 SILVER HEADED CONTACTS, CDA 110 BASE AND GOLD FLASHING



DESCRIPTION

212-DM-31

REV A



308 COMPONENTS DRIVE
SMITHFIELD, NC 27577 USA