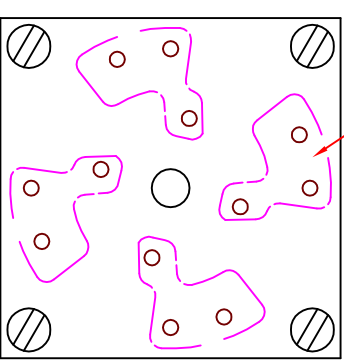
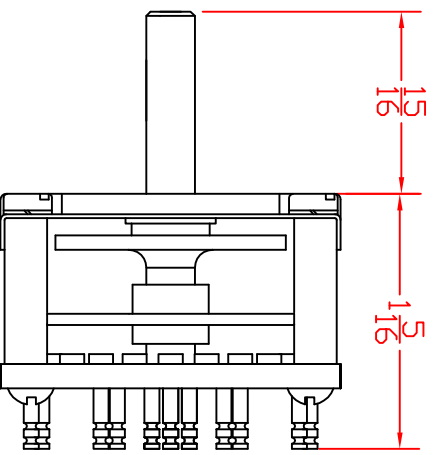
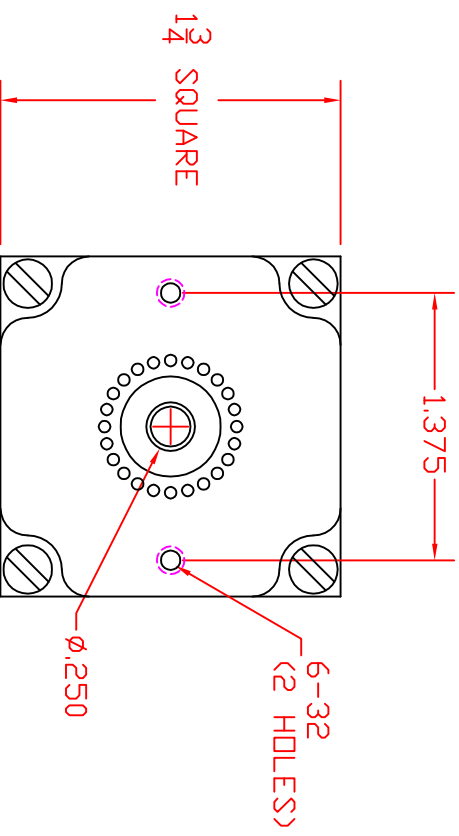


REVISIONS			
LTR	DESCRIPTION	DATE	APP'D
A	Number of poles in description was incorrect. Changed from 1 to 4	11-12-12	PDD
B	ADDED DASHED LINES TO INDICATE POLES	12-19-12	PDD

DASHED LINES ARE FOR REFERENCE <INDICATE INDEPENDENT POLES>



DESCRIPTION
 SHALLCO PART NUMBER: 142-CB-2
 NUMBER OF DECKS: 1
 NUMBER OF POLES PER DECK: 4
 NUMBER OF POSITIONS: 2
 DETENT: STANDARD
 ANGLE BETWEEN CONTACTS: 22-1/2°

SWITCHING: NONSHORTING
 CURRENT CARRYING CAPACITY: 10 AMPERES
 CURRENT SWITCHING CAPACITY: 2 AMPERES
 CONTACT RESISTANCE, INITIAL: 5 MILLIOHMS MAX.
 CONTACT RESISTANCE, AFTER LIFE: 10 MILLIOHMS MAX.
 INSULATION RESISTANCE: 50,000 MEGOHMS
 DIELECTRIC WITHSTANDING VOLTAGE: 1500 VRMS
 DIELECTRIC WITHSTANDING VOLTAGE, AFTER LIFE: 1000 VRMS
 ROTATIONAL LIFE: 50,000 CYCLES (ONE CYCLE = ONE FULL CLOCKWISE AND ONE FULL COUNTER CLOCKWISE ROTATION)

DESCRIPTION
 142-CB-2

DRAWN P.DORMAN 4-11-08
 SCALE 1 = 1

142-CB-2