

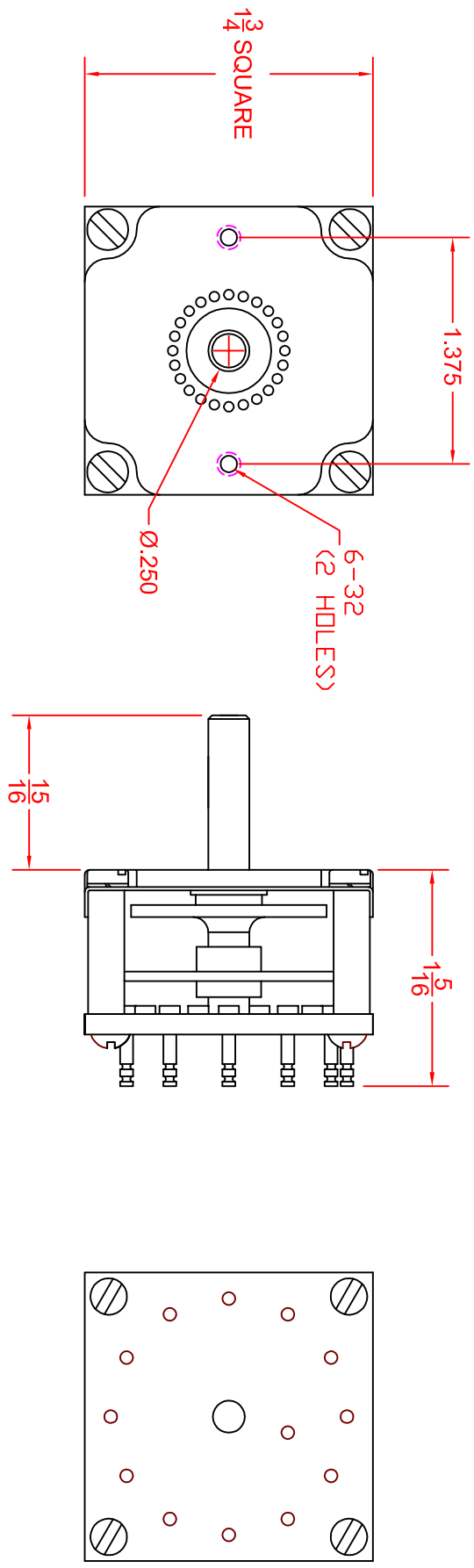
SHALLCO OPEN FRAME ROTARY SWITCH



DESCRIPTION

SHALLCO PART NUMBER: 111-CB-12
 NUMBER OF DECKS: 1
 NUMBER OF POLES PER DECK: 1
 NUMBER OF POSITIONS: 12
 DETENT: STANDARD
 ANGLE BETWEEN CONTACTS: 30°

SWITCHING: NONSHORTING
 CURRENT CARRYING CAPACITY: 10 AMPERES
 CURRENT SWITCHING CAPACITY: 2 AMPERES
 CONTACT RESISTANCE, INITIAL: 5 MILLIOHMS MAX.
 CONTACT RESISTANCE, AFTER LIFE: 10 MILLIOHMS MAX.
 INSULATION RESISTANCE: 50,000 MEGOHMS
 DIELECTRIC WITHSTANDING VOLTAGE: 1500 VRMS
 DIELECTRIC WITHSTANDING VOLTAGE, AFTER LIFE: 1000 VRMS
 ROTATIONAL LIFE: 50,000 CYCLES (ONE CYCLE = ONE FULL
 CLOCKWISE AND ONE FULL COUNTER CLOCKWISE ROTATION)



DESCRIPTION

111-CB-12



308 COMPONENTS DRIVE
 SMITHFIELD, NC 27577 USA