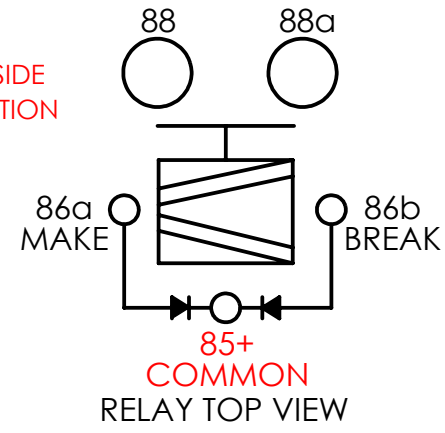


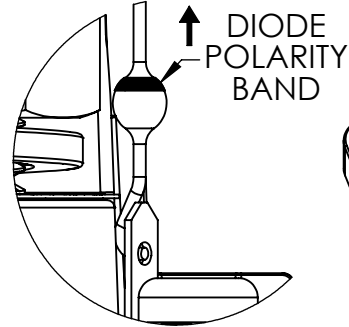
SHALLCO INC.
LOCAL: 919-934-3135
TOLL FREE: 800-876-3135
WWW.SHALLCO.COM

LOW SIDE OPERATION

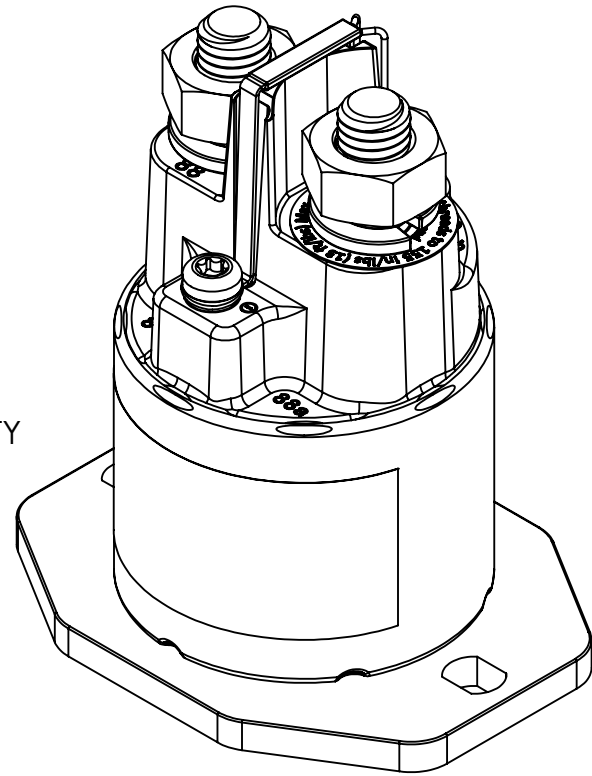


85+ COMMON
RELAY TOP VIEW

- MAIN TERMINAL x2 M10x1.5mm 17mm
- HEX NUT x2 M10x1.5mm
- SCREWS x3 M4x0.7x6.3mm
- M10 SPLIT WASHER x2
- M4 SPRING WASHER x3



DETAIL A SCALE 2:1



DETAIL SHOWN ACTUAL SIZE

SHALLCO
BI-STABLE RELAY
BR-300-24-1-34L
24/28VDC-300AMPS
COIL: 18-32VDC

MADE IN USA
YYWW

PRODUCT LABEL

LOW SIDE OPERATION

SHALLCO
308 COMPONENTS DRIVE, SMITHFIELD, NC 27577 USA
DO NOT SCALE DRAWING

TITLE: **BI-STABLE RELAY**
24/28VDC-300AMPS
COIL: 18-32VDC
LOW SIDE OPERATION

BLANK WEIGHT: - PART WEIGHT: 1.1 LBS

SIZE **A** DWG. NO. **BR-300-24-1-34L** REV. **A**
SHEET 1 OF 2

SCALE: 1:2 FILENAME: BR-300-24-1-34L WEBSITE | WWW.SHALLCO.COM

PROPRIETARY AND CONFIDENTIAL

This document contains proprietary data for products designed by Shallco, Inc., of Smithfield, NC. No disclosure; reproduction, or use of any part thereof may be made except by written permission.

	NAME	DATE
DRAWN	JRT	9-1-22
CHECKED		
ENG APPR.	RMF	9-1-22
MFG APPR.		
Q.A.		

DIMENSIONS ARE IN INCHES
TOLERANCES:
FRACTIONAL ± 1/32
ANGULAR: MACH ± BEND ±
TWO PLACE DECIMAL ± .010
THREE PLACE DECIMAL ± .005

Bi-Stable Relay Technical Data

	DRAWING NUMBER	REV.
A	BR-300-24-1-34L	A
	SHEET 2 OF 2	

Temperature range: -40 C to +85°C
 -40°F to +185°F
 Max. Altitude rating: 50,000 ft.
 Seal: IP67: IEC 60529
 Shock: 6g, 11ms, Saw Tooth
 Vibration: SAE J1455, Appendix A Cat. 2,
 4g - 10Hz-2000Hz

Electrical Characteristics

Min. Insulation Resistance: 100 MΩ
 Dielectric withstanding voltage: 1050 V / 1 min.
 Max. Contact drop, initial: 150 mV
 (CTQ <0.0009VDC @ 24VDC 1AMP, MAX)
 Duty rating, Continuous: 300 A

Rated Contact Load 24/28 VDC

Resistive load: 50,000 cycles 300 A
 Inductive load: 10,000 cycles 150 A
 Motor load: 50,000 cycles 300 A
 Bounce: ≤ 5 ms
 Break: ≤ 5 ms

Coil Data 24/28 VDC (low side operation)

Nominal voltage: 24 VDC
 Voltage range: 18-32 VDC
 (CTQ @ 14VDC)
 Pull closed coil resistance: 7.30 Ω, ± 10% (85-86a)
 Pull open coil resistance: 8.40 Ω, ± 10% (85-86b)
 Minimum Pulse Length: 100ms
 Maximum Pulse Length: 400ms
 Max. operations per minute: 6 (Momentary Pulse)

Terminal Torque

Main Terminals: 155 In-Lbs.
 Coil Terminals: 20 In-Lbs.


LOW SIDE OPERATION

SHALLCO INC.
 LOCAL: 919-934-3135
 TOLL FREE: 800-876-3135
 WWW.SHALLCO.COM

PROPRIETARY AND CONFIDENTIAL

This document contains proprietary data for products designed by Shallco, Inc., of Smithfield, NC. No disclosure, reproduction, or use of any part thereof may be made except by written permission.

	NAME	DATE
DRAWN	JRT	9-1-22
CHECKED		
ENG APPR.	RMF	9-1-22
MFG APPR.		
Q.A.		

		
308 COMPONENTS DRIVE, SMITHFIELD, NC 27577 USA DO NOT SCALE DRAWING		
TITLE:		
BI-STABLE RELAY 24/28VDC-300AMPS COIL: 18-32VDC LOW SIDE OPERATION		
SIZE A	DWG. NO. BR-300-24-1-34L	REV. A
SHEET 2 OF 2		
SCALE:1:2 FILENAME: BR-300-24-1-34L WEBSITE:WWW.SHALLCO.COM		

DWG NO: BR-300-24-1-34L