

Shallco
Since 1967

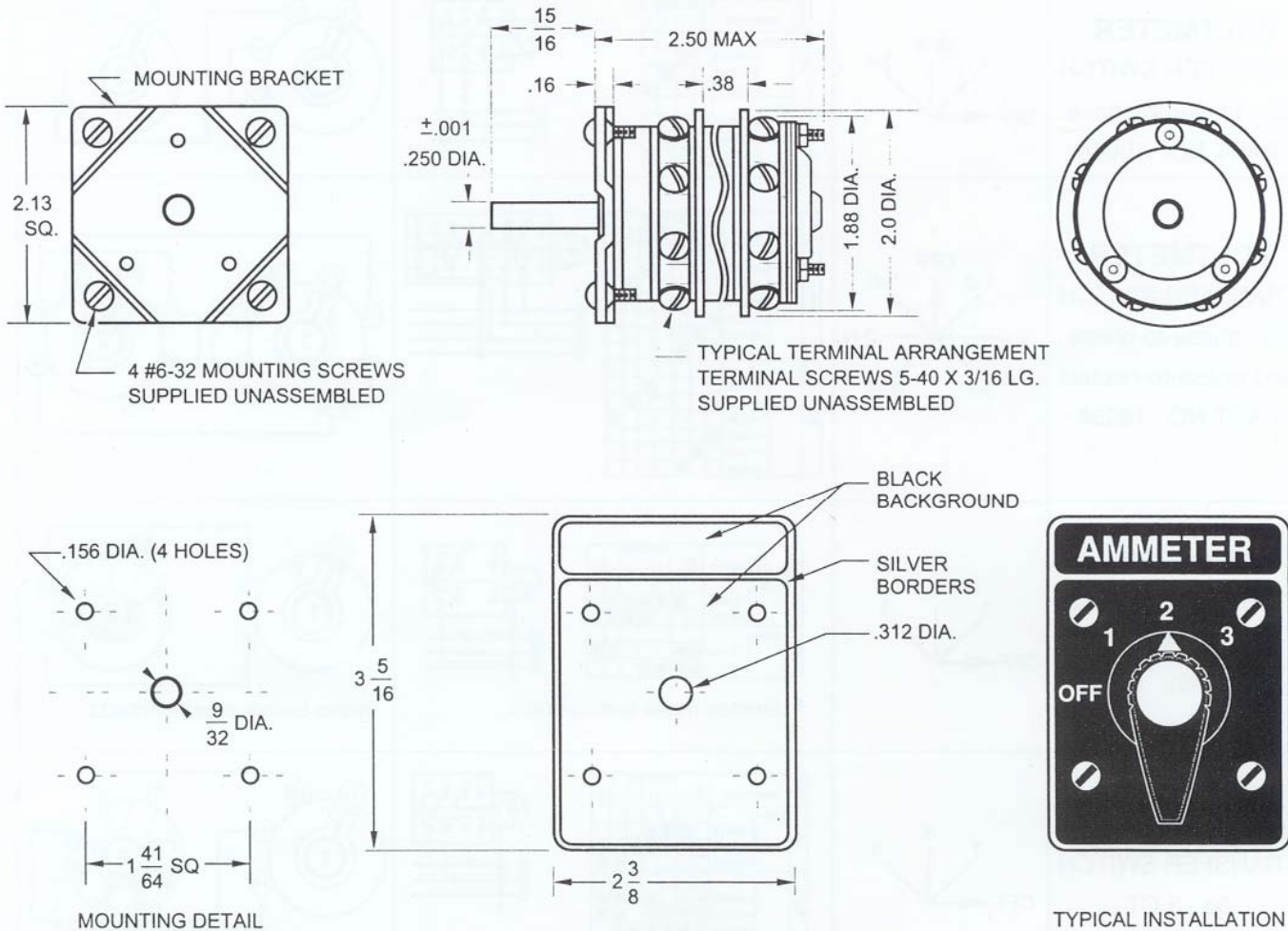
SHALLCO, INC.

PRECISION ELECTRICAL COMPONENTS

308 COMPONENTS DRIVE • P.O. BOX 1089 • SMITHFIELD, N.C. 27577
TELEPHONE: 919/934-3135 • FAX: 919/934-3298

Series 16 Instrument Switches

All instrument switches are supplied with jumpers installed, an engraved nameplate with matching knob, fixed stops and mounting hardware.



General Description

All Series 16 rotary power switches utilize detent action for positive positioning of the spring-loaded dual wiper blades, a feature that ensures continuity in applications subjected to shock and vibration. Both detent and electrical mechanisms are totally enclosed in rugged phenolic housings. Insulating barriers between sections prevent adjacent terminal shorts. Although instrument switches are supplied with fixed stops, standard Series 16 switches are supplied with adjustable stops to facilitate user selection of switched positions. Extensive testing has demonstrated its ruggedness and endurance of loads up to 10 amperes at 120 V AC.

Series 16 Instrument Switches

All instruments switches are supplied with jumpers installed, an engraved nameplate with matching knob, fixed stops and mounting hardware.

APPLICATION	POSITIONS	"●" CHART & WIRING	DECK LAYOUT
VOLTMETER TRANSFER SWITCH 3 ϕ , phase-to-phase PART NO. 16044			
VOLTMETER TRANSFER SWITCH 3 ϕ , phase-to-phase and phase-to-neutral PART NO. 16054			
AMMETER TRANSFER SWITCH 3 ϕ , 2 CT PART NO. 16084		<p>* denotes make-before-break</p>	<p>make-before-break contacts</p>
AMMETER TRANSFER SWITCH 3 ϕ , 3 CT PART NO. 16104		<p>* denotes make-before-break</p>	<p>make-before-break contacts</p>
AMMETER VOLTMETER TRANSFER SWITCH 3 ϕ , 3 CT volts-phase-to-phase amps-phase PART NO. 16154		<p>* denotes make-before-break, Deck 3 & 4.</p>	<p>Deck 3 & 4 make-before-break contacts</p>