

WATTMETER TRANSFER SWITCHES

ESCUTCHEON

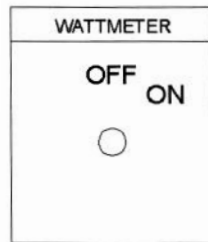
CONTACTING DIAGRAM

WIRING DIAGRAM

Part No. 2619C

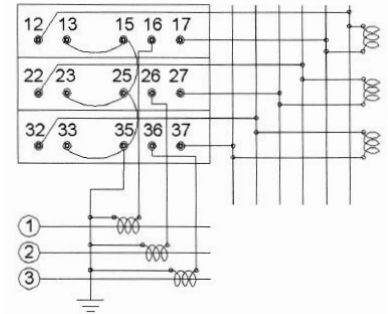
3-phase, phase-to-phase
three current-transformers
three current-coils

Handle: Round, knurled



Code 115 - 15

DECK	CONTACTS	POS.	
		OFF	* 1
1	12-13 15-17	X	X
	16-17 25-27	X	X
2	22-23 25-27	X	X
	26-27 35-37	X	X
3	32-33 35-37	X	X
	36-37 45-47	X	X

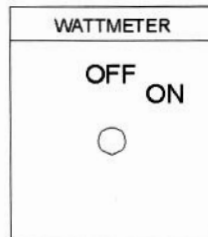


* denotes make-before-break

Part No. 2620C

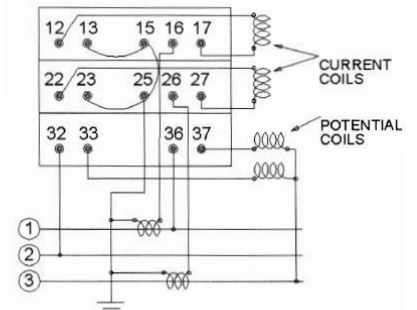
3-phase
two current-transformers
two current-coils
two potential coils

Handle: Round, knurled



Code 115 - 15

DECK	CONTACTS	POS.	
		OFF	* 1
1	12-13 15-17	X	X
	16-17 25-27	X	X
2	22-23 25-27	X	X
	26-27 35-37	X	X
3	32-33 35-37	X	X
	36-37 45-47	X	X



* denotes make-before-break