

AMMETER TRANSFER SWITCHES

ESCUTCHEON

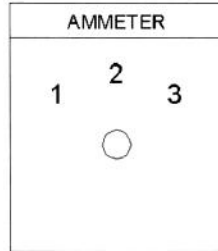
CONTACTING DIAGRAM

WIRING DIAGRAM

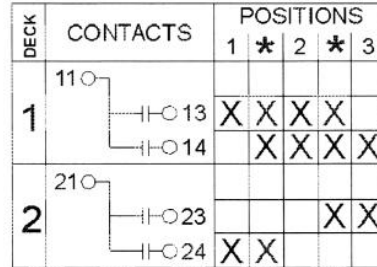
Part No. 2607C

3-phase, two
current-transformers

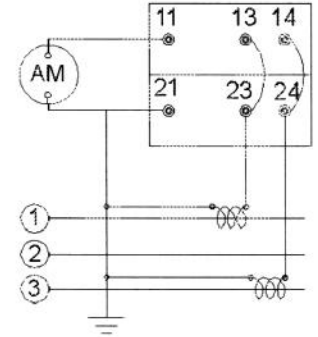
Handle: Round, knurled



Code 115 - 4



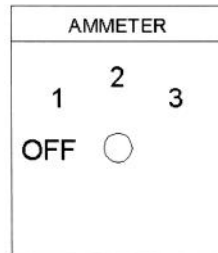
* denotes make-before-break



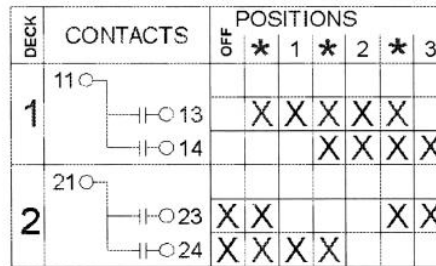
Part No. 2608C

3-phase, two
current-transformers

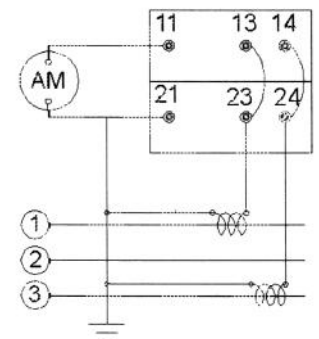
Handle: Round, knurled



Code 115 - 3



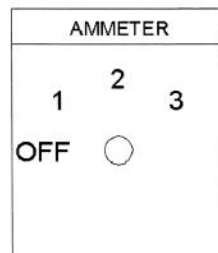
* denotes make-before-break



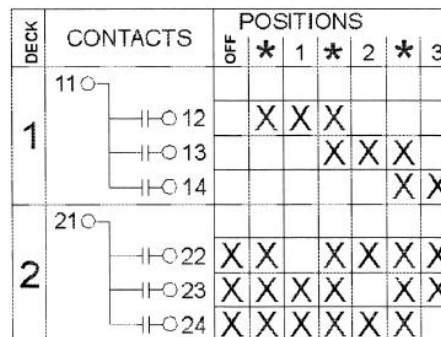
Part No. 2610C

3-phase, three
current-transformers

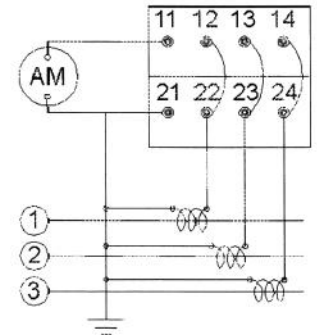
Handle: Round, knurled



Code 115 - 3



* denotes make-before-break



AMMETER TRANSFER SWITCHES

ESCUTCHEON

CONTACTING DIAGRAM

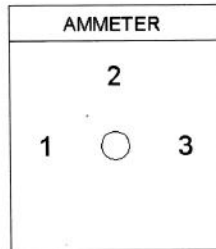
WIRING DIAGRAM

Part No. 2611C

NO OFF

3-phase
three current-transformers
three independent circuits

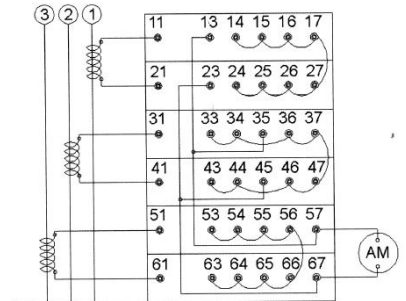
Handle: Round, knurled



Code 115 - 13

BLOCK	CONTACTS	POSITIONS					
		1	* 2	* 3	2	* 3	1
1	110-13	X	X				
	110-14	X	X	X			
	110-15			X	X	X	
	110-16				X	X	X
	110-17						X
2	210-23	X	X				
	210-24	X	X	X			
	210-25			X	X	X	
	210-26				X	X	X
	210-27						X
3	310-33	X	X				
	310-34	X	X	X			
	310-35			X	X	X	
	310-36				X	X	X
	310-37						X
4	410-43	X	X				
	410-44	X	X	X			
	410-45			X	X	X	
	410-46				X	X	X
	410-47						X
5	510-53	X	X				
	510-54	X	X	X			
	510-55			X	X	X	
	510-56				X	X	X
	510-57						X
6	610-63	X	X				
	610-64	X	X	X			
	610-65			X	X	X	
	610-66				X	X	X
	610-67						X

* denotes make-before-break

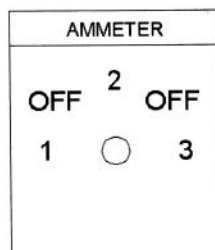


Part No. 2612C

WITH OFF

3-phase
three current-transformers
three independent circuits

Handle: Round, knurled



Code 115 - 14

BLOCK	CONTACTS	POSITIONS					
		1	* 2	* 3	2	* 3	1
1	110-13	X	X				
	110-14	X	X	X			
	110-15			X	X	X	
	110-16				X	X	X
	110-17						X
2	210-23	X	X				
	210-24	X	X	X			
	210-25			X	X	X	
	210-26				X	X	X
	210-27						X
3	310-33	X	X				
	310-34	X	X	X			
	310-35			X	X	X	
	310-36				X	X	X
	310-37						X
4	410-43	X	X				
	410-44	X	X	X			
	410-45			X	X	X	
	410-46				X	X	X
	410-47						X
5	510-53	X	X				
	510-54	X	X	X			
	510-55			X	X	X	
	510-56				X	X	X
	510-57						X
6	610-63	X	X				
	610-64	X	X	X			
	610-65			X	X	X	
	610-66				X	X	X
	610-67						X

* denotes make-before-break

