



# SHALLECO

I N C O R P O R A T E D

## ISO 9001 CERTIFIED TRANSPORTATION PRODUCTS

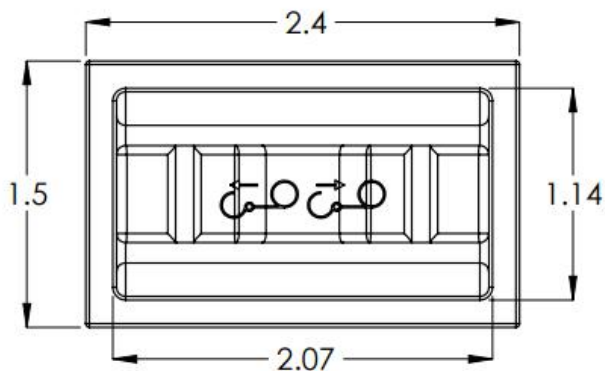
308 Components Drive, P.O. Box 1089, Smithfield, N.C. 27577

Telephone: (919) 934-3135 Fax: (919) 934-3298

### 16009 Power Rocker Switch:

Description: switch, polarity reversing, momentary, high current, shunting.

Materials: copper, steel, brass, synthetic rubber, and thermoplastics.

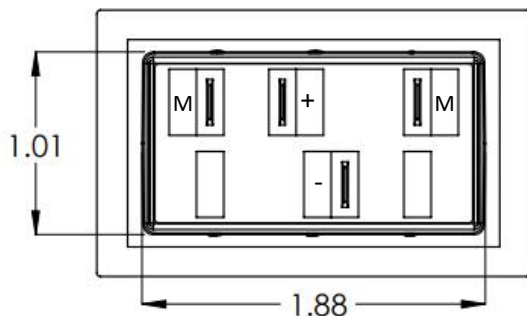
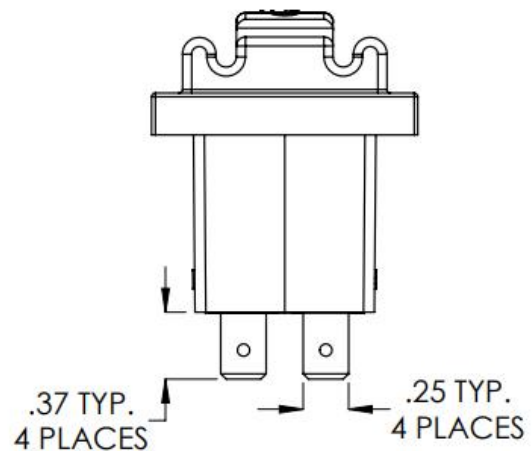
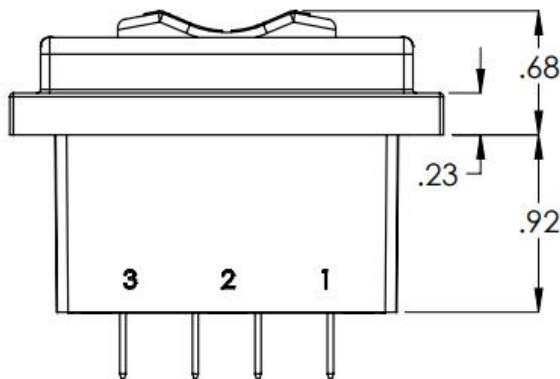


#### Electrical:

Voltage: 12VDC Systems.  
 Continuous rating: 30 Amps.  
 Duty Cycle rating (10%): 70 Amps.  
 Dielectric: 1,000 rms.  
 Contact resistance (Initial): 5 milliohms max.  
 Insulation Resistance: 1,000 Megaohms.  
 Electrical Life: 25,000 operations.

#### Mechanical:

Water Resistant Design.  
 Mechanical Life: > 25,000 operations.



\*\*\*Replaces original 14080 rocker switch\*\*\*