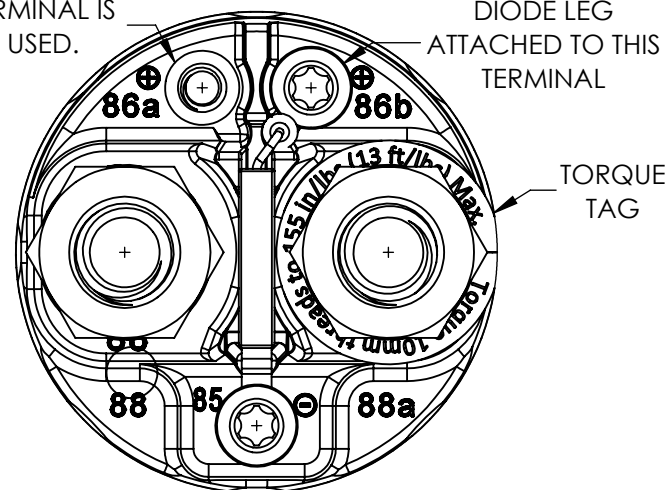
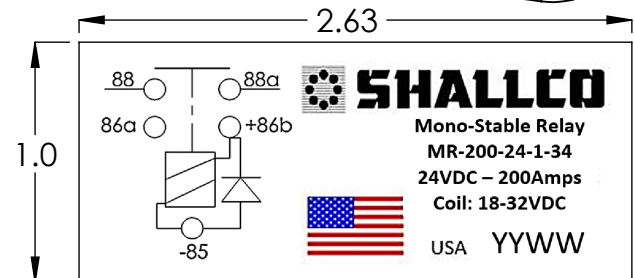
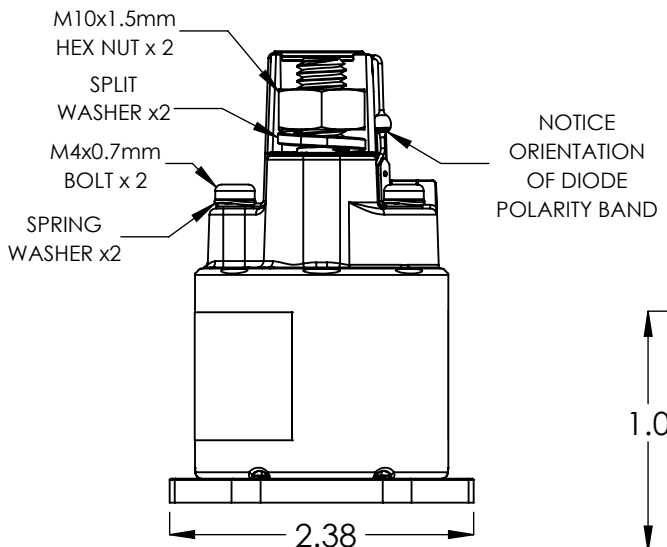
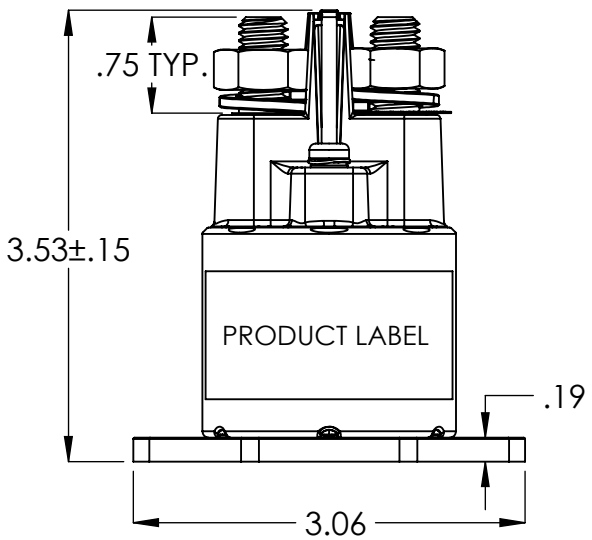
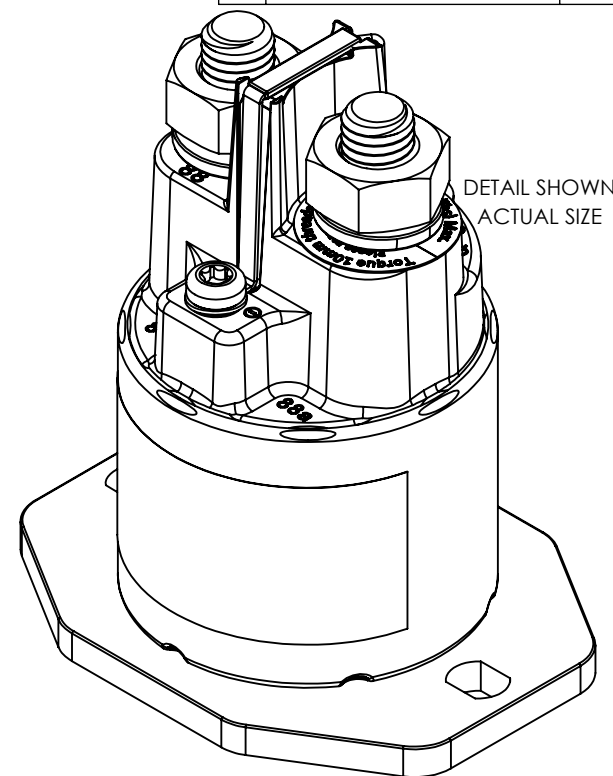


THIS TERMINAL IS NOT USED.
DIODE LEG ATTACHED TO THIS TERMINAL



DETAIL A
SCALE 4 : 3



PRODUCT LABEL



308 COMPONENTS DRIVE, SMITHFIELD, NC 27577 USA

DO NOT SCALE DRAWING

TITLE: **MONO-STABLE RELAY
24VDC-200AMP
WITH HARDWARE & DIODE
24VDC COIL**

BLANK WEIGHT: - PART WEIGHT: 1 LB

SIZE **A** DWG. NO. **MR-200-24-1-34** REV. **A**
SHEET 1 OF 2

SCALE: 1:2 FILENAME: MR-200-24-1-34 Website

CONTINUOUS DUTY COIL

PROPRIETARY AND CONFIDENTIAL

This document contains proprietary data for products designed by Shallco, Inc., of Smithfield, NC. No disclosure; reproduction, or use of any part thereof maybe made except by written permission.

DIMENSIONS ARE IN INCHES
TOLERANCES:
FRACTIONAL ±1/32
ANGULAR: MACH ± BEND ±
TWO PLACE DECIMAL ±.010
THREE PLACE DECIMAL ±.005

REV.	DESCRIPTION	DATE	APP'D	REV.	DESCRIPTION	DATE	APP'D
	REVISIONS				REVISIONS		

Mono-Stable Relay Technical Data

Temperature range: -40 C to +85°C
 -40°F to +185°F
 Max. Altitude rating: 50,000 ft.
 Seal: IP67: IEC 60529
 Shock: 6g, 11ms, Saw Tooth
 Vibration: SAE J1455, Appendix A,
 Category 2,
 4g - 10Hz-2000Hz
 Mechanical Life: > 50,000 cycles

Electrical Characteristics

Min. Insulation Resistance: 100 MΩ (500VDC)
 Dielectric withstanding voltage: 1,050 V / 1 min.
 Max. Voltage drop: 200 mV (CTQ <0.0009 VDC @ 1AMP, MAX)
 Duty rating, Continuous: 200 A

Rated Contact Load 24 VDC (Break)

Resistive load: 50,000 cycles 200 A
 Inductive load: 10,000 cycles 100 A
 Motor load: 50,000 cycles 200 A
 Bounce: ≤ 5 ms
 Break: ≤ 5 ms

Coil Data 24 VDC

Nominal voltage: 24 VDC
 Voltage range: 18-32 VDC
 Drop out: 4 VDC
 Coil resistance: 58 Ω ± 10%
 Coil Wattage: 10W
 Duty rating: 24V Continuous

PROPRIETARY AND CONFIDENTIAL

This document contains proprietary data for products designed by Shallco, Inc., of Smithfield, NC. No disclosure; reproduction, or use of any part thereof may be made except by written permission.

	NAME	DATE
DRAWN	JRT	3-13-20
CHECKED		
ENG APPR.	RMF	3-13-20
MFG APPR.		
Q.A.		

		
308 COMPONENTS DRIVE, SMITHFIELD, NC 27577 USA DO NOT SCALE DRAWING		
TITLE: MONO-STABLE RELAY 24VDC-200AMP WITH HARDWARE & DIODE 24VDC COIL		
SIZE A	DWG. NO. MR-200-24-1-34	REV. A
SCALE:1:2	FILENAME: MR-200-24-1-34	

DWG NO: MR-200-24-1-34