

SHALLCO

BREAKER CONTROL TIME DELAY RELAY FOR **ARC FLASH PROTECTION**

The Shallco CSR is now available with a time delay feature. The Delay Closing or Tripping operation allows personnel the needed time to vacate any potential arc flash boundary.

With a simple press and hold of a front panel button, the relay will change the normal operating mode to time delay (which can be halted and returned to normal state with a subsequent pressing of the delay function button)



The lighted front panel LED's also provides various circuit monitoring along with the Trip Coil Monitor with SCADA output.



Features:

- ◆ Microprocessor Controlled.
- ◆ Local Trip or Close with 10 Second Delay (Factory Adjustable) via Push Button.
- ◆ Flashing LED to Indicate Pending Operation.
- ◆ Standard Mechanical Trip/Close Flag
- ◆ Extended Button Press Time (4 - 5 Seconds) Prevents Accidental Operation.
- ◆ Traditional Manual Trip and Close via Pistol Grip.
- ◆ Provides Safe On-Site Breaker Operation While Keeping Personnel Outside The "Arc Flash Boundary".
- ◆ Standard CSR, LOR, and LSR mounting pattern.
- ◆ Simple wiring instructions.
- ◆ Includes Features of the Standard CSR.
- ◆ Arc Flash Hazard Protection at a reasonable price



P.O. Box 1089
308 Components Drive
Smithfield, North Carolina 27577

Phone: 919-934-3135 • Fax: 919-934-3298
Website: www.shallco.com
E-mail: Shallco@shallco.com

Specifications:

Electrical

Continuous Ratings: 30 amperes
 UL Interrupt Ratings: 25A - 120VAC
 15A - 240VAC
 6A - 600VAC
 3A - 125VDC
 1A - 250VDC
 Overload Current (50 Ops): 95A - 120VAC
 65A - 240VAC
 35A - 600VAC

Contact Resistance: 10 milliohms max.
 Contact hold time: .5 – 1 second

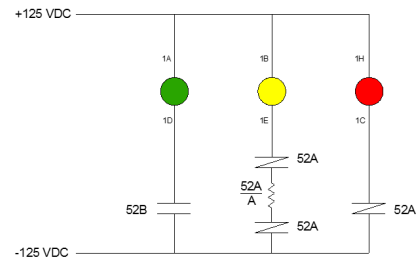
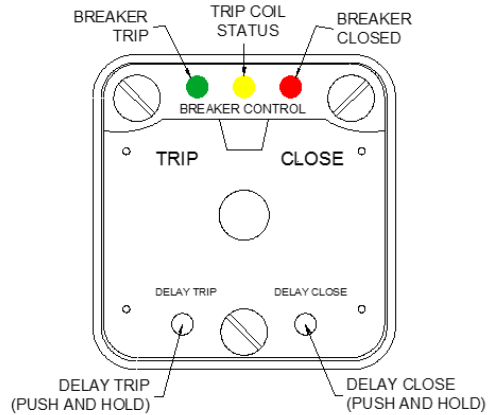
Mechanical

Switching: Break-Before-Make (Non-Shorting)
 Make-Before-Break (Shorting)
 (Standard and Slip Contacts Available)
 Rotor Contact: Phosphor Bronze, Dual Wiper
 Stationary Contact: Silver Plated copper with integral screw
 Construction: Closed
 Angle of Throw: Spring Return (45 degree CW and CCW)

Operational Voltage/Current:

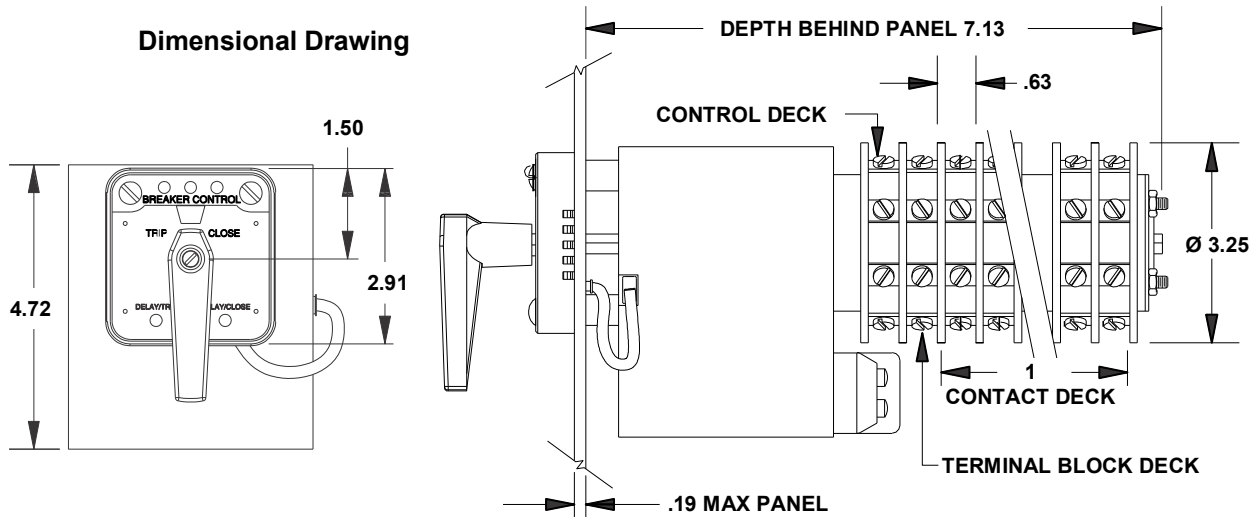
125 VDC/6 .5 amps

LIGHTED PANEL
(STANDARD CONFIGURATION)



LEFT LED In a typical application, it is used to monitor a 52B contact
 RIGHT LED In a typical Application, it is used to monitor a 52A contact.
 CENTER LED In a typical application, it is used as a trip coil monitor.

Dimensional Drawing



Rev.: 10/19



P.O. Box 1089
 308 Components Drive
 Smithfield, North Carolina 27577

Phone: 919-934-3135 • Fax: 919-934-3298
 Website: www.shallco.com
 E-mail: Shallco@shallco.com