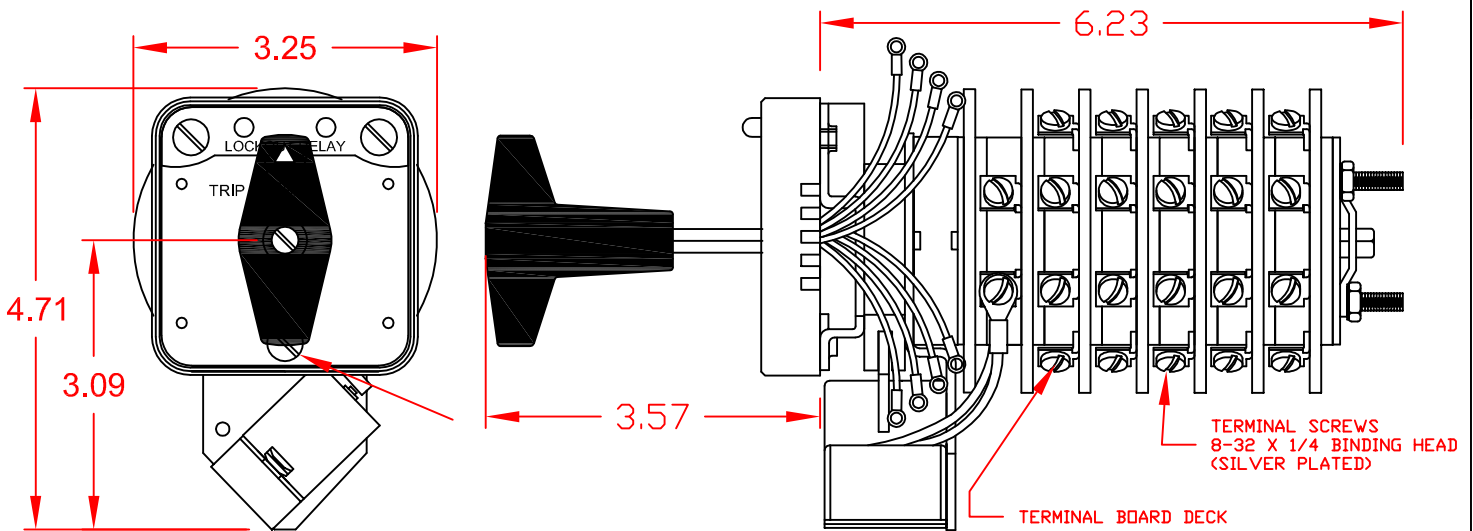


# 7604C 48VDCCXA



**SPECIFICATIONS:**

NO. OF POSITIONS: 2, TRIP AND RESET

NO. OF SECTIONS: 4

CONTACTS: 2 NORMALLY OPEN  
2 NORMALLY CLOSED  
PER DECK

ACTION: 45° POSITIVE TRIP DETENT

STATIONARY CONTACTS : SILVER OVER COPPER

NAMEPLATE: AS SHOWN

**COIL SPECIFICATIONS:**

OPERATING VOLTAGE: 48 VDC  
THRESHOLD VOLTAGE: 12 VDC  
OPERATING RANGE: 24 - 70 VDC  
CURRENT AT RATED VOLTAGE: 3.7 AMPS



DECK	CONTACTS	POSITION	
		TRIP	RESET
1	11 —  — 13		
	12 —  — 18	X	X
	15 —  — 17		X
	16 —  — 14	X	
2	21 —  — 23		
	22 —  — 28	X	X
	25 —  — 27		X
	26 —  — 24	X	
3	31 —  — 33		
	32 —  — 38	X	X
	35 —  — 37		X
	36 —  — 34	X	
4	41 —  — 43		
	42 —  — 48	X	X
	45 —  — 47		X
	46 —  — 44	X	

**ELECTRICAL RATINGS:**

25 A/120 VAC 3 A/ 125 VDC  
15 A/600 VAC 1 A/ 250 VDC  
20 A/600 VAC (RESISTIVE)

**OVERLOAD CURRENT (50 OPERATIONS):**

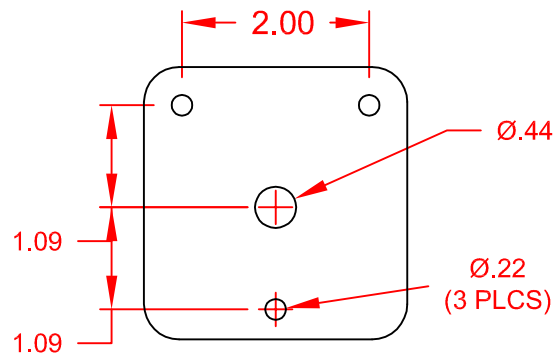
95 A/120 VAC  
65 A/240 VAC  
35 A/600 VAC

DIELECTRIC STRENGTH: 2200 VRMS

INSULATION RESISTANCE: 100 MEGOHMS INITIAL

CONTACT RESISTANCE: 10 MILLIOHMS MAX. INITIAL

**NAMEPLATE AND PANEL DRILLING DIMENSIONS**



CUSTOMER REFERENCE:: TERMINAL SCREW TIGHTENING TORQUE: : 8 IN-LBS.

DESCRIPTION

**7604C 48VDCCXA**

REV. -



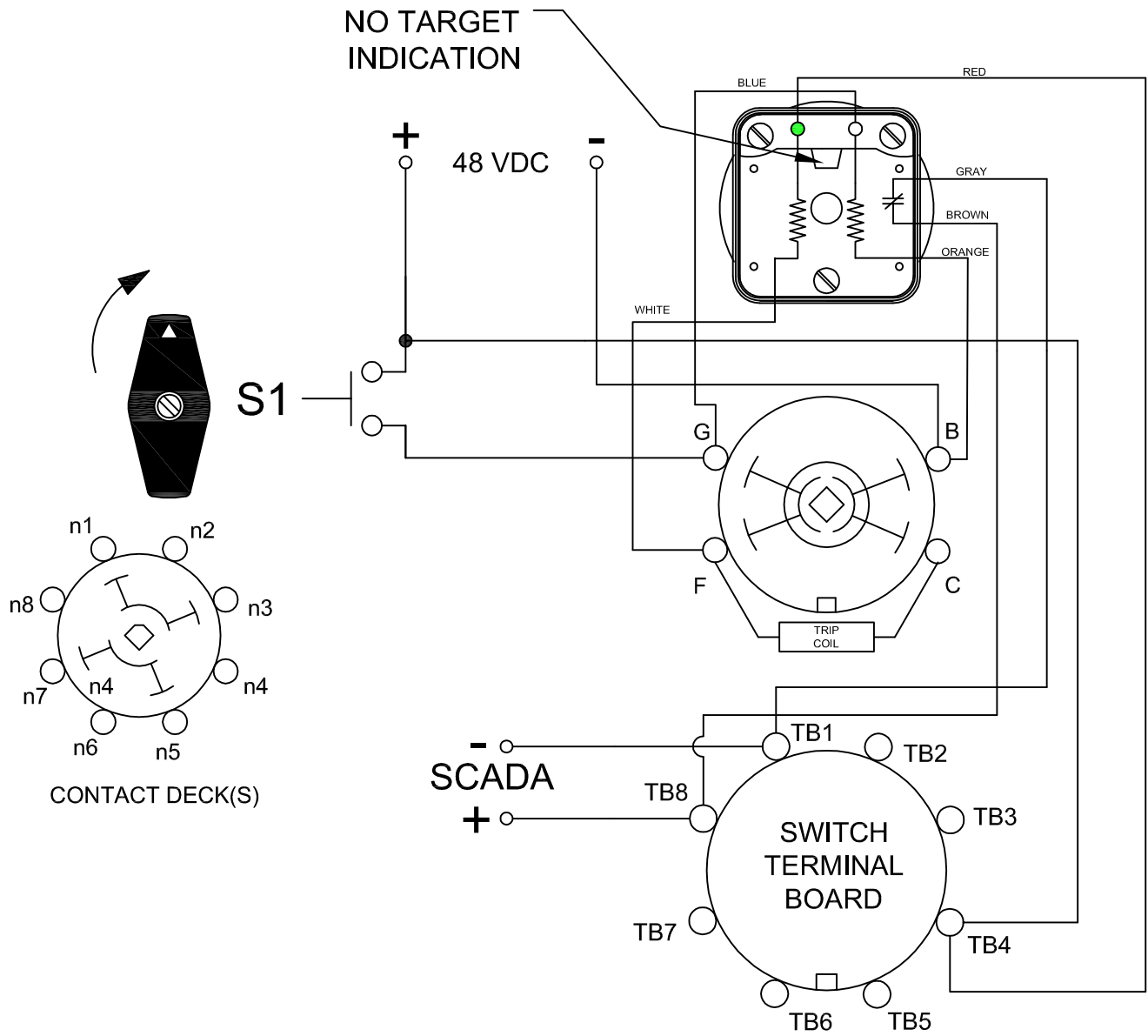
308 COMPONENTS DRIVE  
SMITHFIELD, NC 27577 USA

LOCK-OUT RELAYS (LOR)

GENERAL OPERATION:

THE HANDLE OF THE LOR MUST BE MANUALLY ROTATED CLOCKWISE TO PLACE THE UNIT IN THE "RESET" POSITION (SEE FIGURE A)

FIGURE A - RESET POSITION



DESCRIPTION

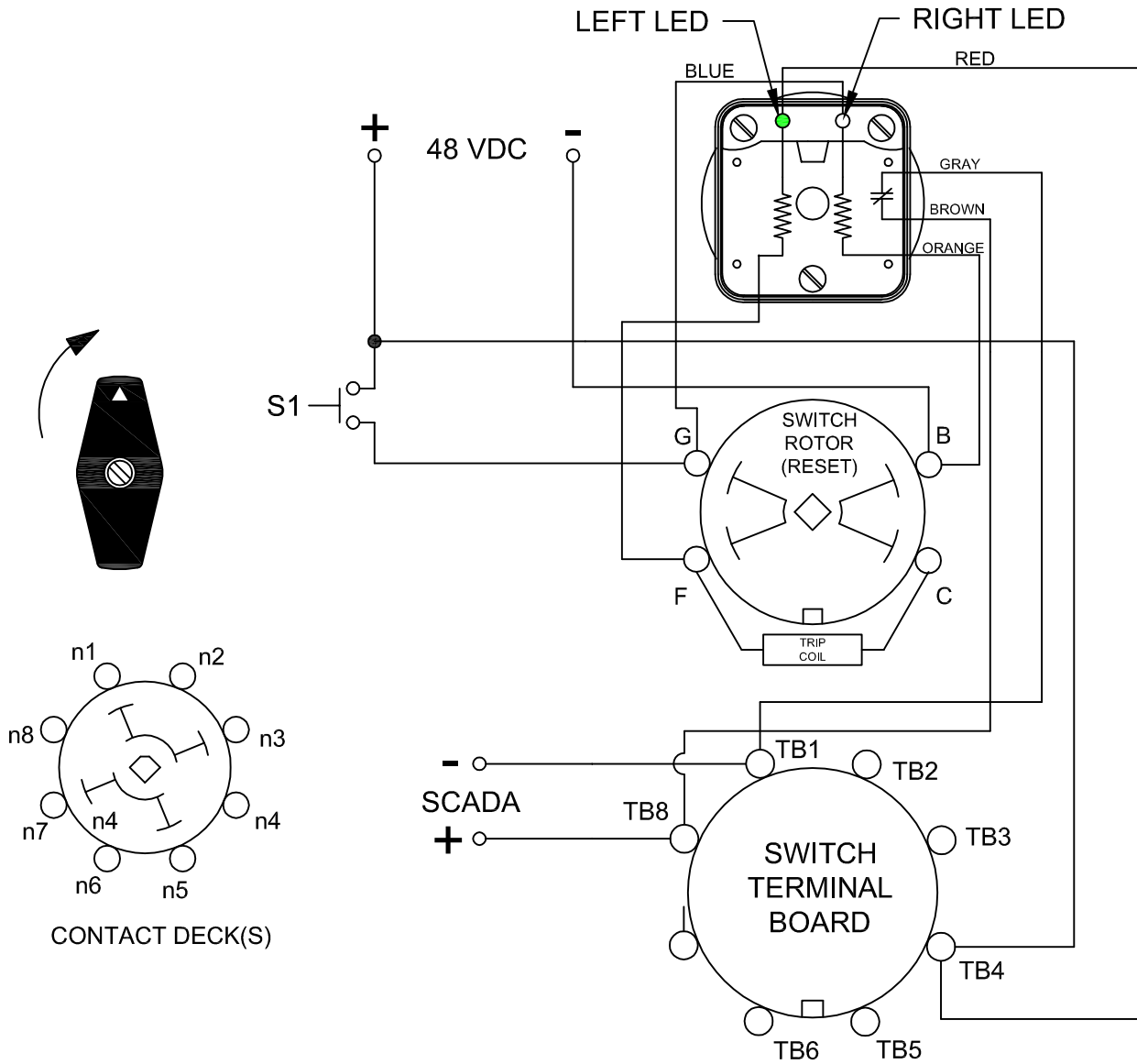
7604C 48VDCCXA

REV -

LED INDICATION

CONDITION #1	
ROTOR	RESET (AS SHOWN)
SWITCH 1 (S1)	OPEN

RESULT	
LEFT LED	ON
RIGHT LED	OFF
SCADA CIRCUIT (TRIP COIL MONITOR)	OPEN



DESCRIPTION

**7604C 48VDCCXA**

REV. -

AN ISO 9001 COMPANY

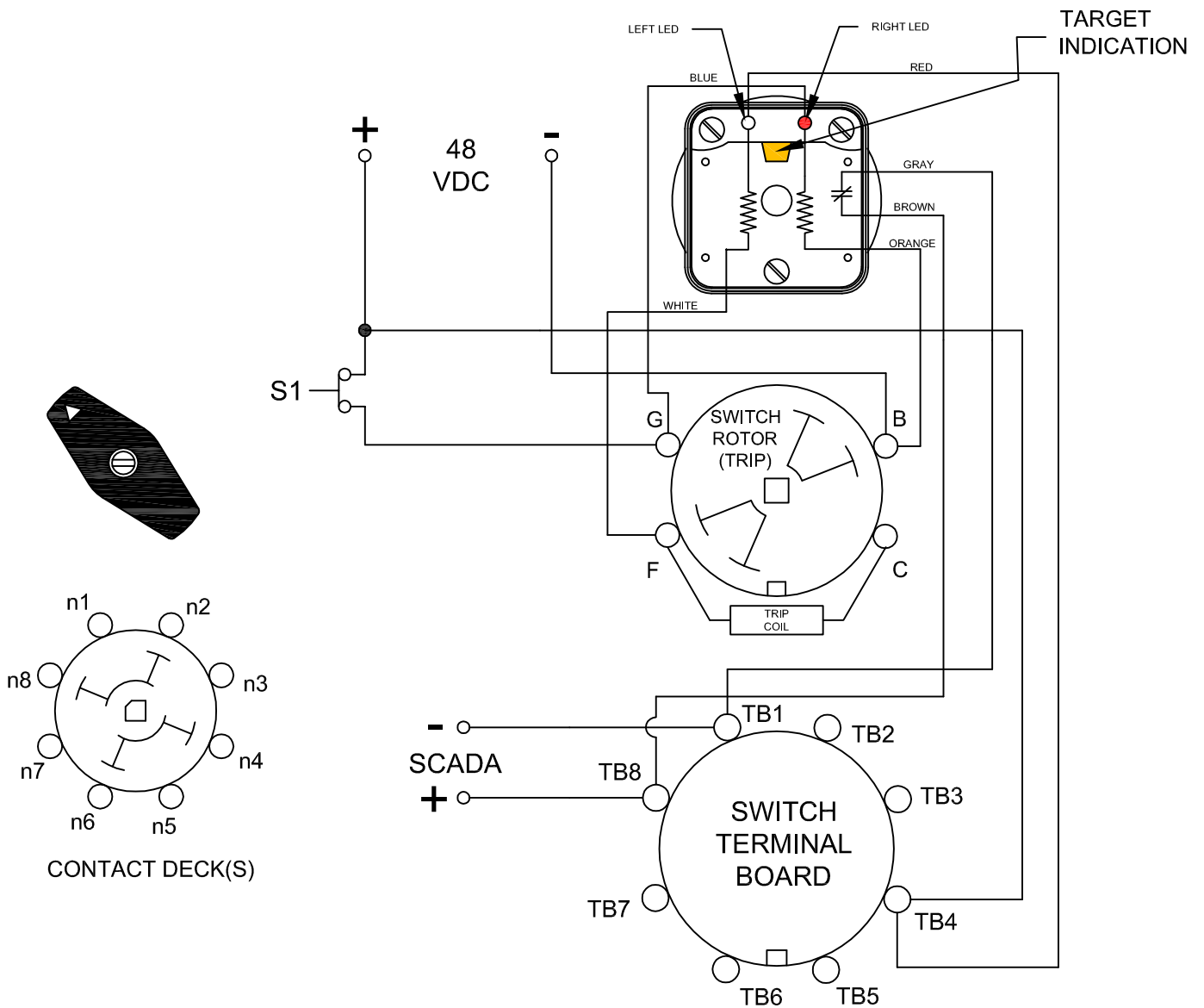
308 COMPONENTS DRIVE  
SMITHFIELD, NC 27577 USA

LED INDICATION

CONDITION #2	
ROTOR	RESET (AS SHOWN)
SWITCH 1 (S1)	CLOSED

RESULT	
LEFT LED	OFF
RIGHT LED	ON
SCADA SWITCH	CLOSED

WHEN S1 CLOSSES, THE COIL CAUSES A MECHANICAL ROTATION OF THE RELAY RESULTING IN THE SWITCH ROTOR ADVANCE TO THE "TRIP" POSITION SHOWN



DESCRIPTION

7604C 48VDCCXA

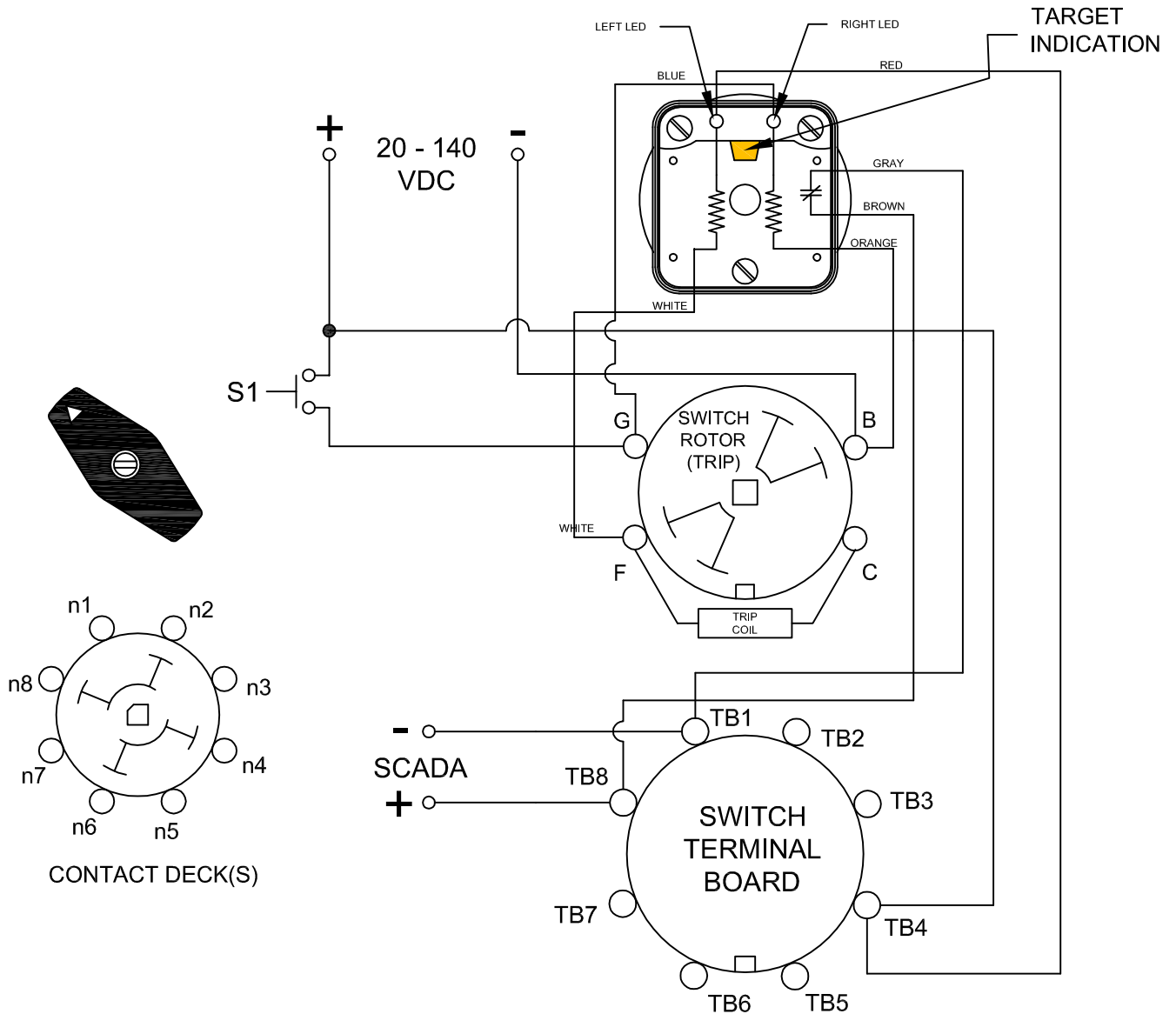
REV. -

LED INDICATION

CONDITION #2	
ROTOR	RESET (AS SHOWN)
SWITCH 1 (S1)	OPEN

RESULT	
LEFT LED	OFF
RIGHT LED	OFF
SCADA SWITCH	CLOSED

WHEN S1 REOPENS, THE RIGHT LED WILL GO OFF, THE TRIP COIL MONITOR (SCADA) CIRCUIT WILL REMAIN CLOSED UNTIL THE LOR IS ROTATED BACK TO THE RESET POSITION



DESCRIPTION

**7604C 48VDCCXA**

REV. -

AN ISO 9001 COMPANY

308 COMPONENTS DRIVE  
SMITHFIELD, NC 27577 USA