

**SHALLCO SERIES 26**  
**PART NUMBER: 26307B**



**GENERAL:**

MEETS REQUIREMENTS FOR 1 - 25 AMPERE SWITCHING OF RESISTIVE LOADS TO .75 POWER FACTOR AT VOLTAGES TO 600 V AC AND 250 VDC RESISTIVE LOADS

**ELECTRICAL RATINGS:** 25A/120 VAC  
 15A/600 VAC  
 20A/600 VAC (RES)  
 3A/125 VDC  
 1A/250 VDC



- \* CURRENT CARRYING CAPACITY: 25 AMPERES
- \* DIELECTRIC WITHSTANDING VOLTAGE: 2200 VRMS
- \* CONTACT RESISTANCE: INITIAL, 10 MILLIOHMS MAX.
- \* INSULATION RESISTANCE: 100 MEGOHMS MIN., INITIAL

**MECHANICAL:**

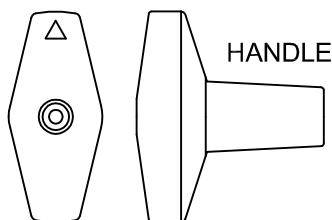
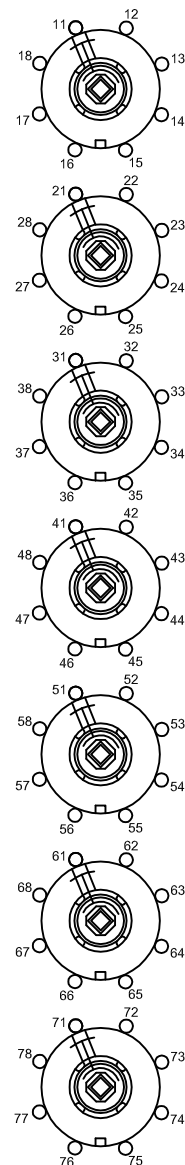
- \* SECTIONS: 7
- \* POSITIONS: 8 (ADJUSTABLE)
- \* INDEXING: 45° POSITIVE DETENT
- \* ROTATIONAL LIFE: 65,000 OPERATIONS

**MATERIALS AND FINISHES:**

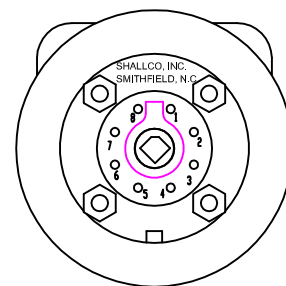
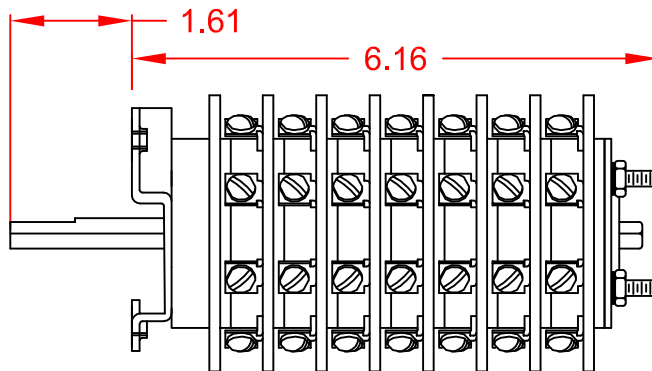
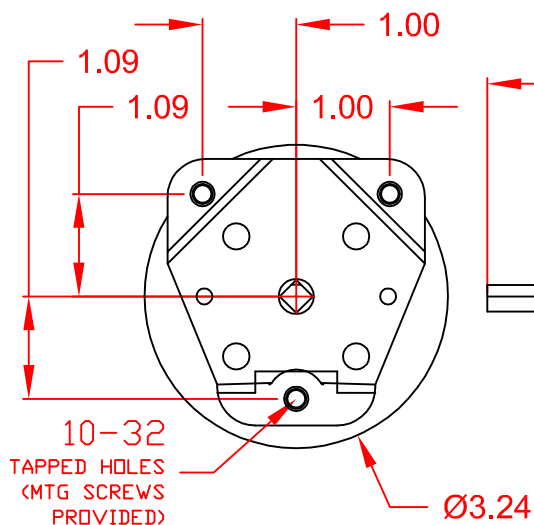
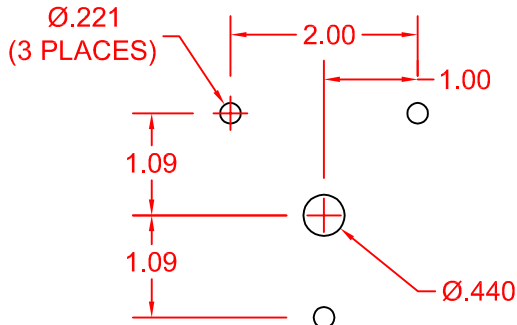
- \* ROTORS AND STATORS: THERMOSET PLASTIC UL 94VO
- \* ROTOR CONTACTS: PHOSPHOR BRONZE
- \* STATOR CONTACTS: SILVER PLATED COPPER SCREW TYPE
- \* TERMINAL HARDWARE: SILVER PLATED BRASS
- \* EXTERIOR METAL: STEEL WITH ZINC CHROMATE FINISH

SEC	CONTACTS	POSITIONS						
		1	2	3	4	5	6	7
1	11-O12	X						
	11-O13		X					
	11-O14			X				
	11-O15				X			
	11-O16					X		
	11-O17						X	
2	21-O22	X						
	21-O23		X					
	21-O24			X				
	21-O25				X			
	21-O26					X		
	21-O27						X	
3	31-O32	X						
	31-O33		X					
	31-O34			X				
	31-O35				X			
	31-O36					X		
	31-O37						X	
4	41-O42	X						
	41-O43		X					
	41-O44			X				
	41-O45				X			
	41-O46					X		
	41-O47						X	

SEC	CONTACTS	POSITIONS						
		1	2	3	4	5	6	7
5	51-O52	X						
	51-O53		X					
	51-O54			X				
	51-O55				X			
	51-O56					X		
	51-O57						X	
6	61-O62	X						
	61-O63		X					
	61-O64			X				
	61-O65				X			
	61-O66					X		
	61-O67						X	
7	71-O72	X						
	71-O73		X					
	71-O74			X				
	71-O75				X			
	71-O76					X		
	71-O77						X	



MOUNTING HOLE DETAIL



26307B



308 COMPONENTS DRIVE  
 SMITHFIELD, NC 27577 USA