

SHALLCO SERIES 26
Part Number: 76201D



General:

Meets requirements for 1 - 25 ampere switching of resistive loads to .75 power factor at voltages to 600 V AC and 250 VDC resistive loads

Electrical:

- * Ratings: 25A/120 VAC
- 15A/600 VAC
- 20A/600 VAC (RESISTIVE)
- 3A/125 VDC
- 1A/250 VDC



- * Current carrying capacity: 25 amperes
- * Dielectric Withstanding Voltage: 2200 Vrms
- * Contact Resistance: Initial, 10 milliohms max.
- * Insulation Resistance: 100 Megohms min., initial

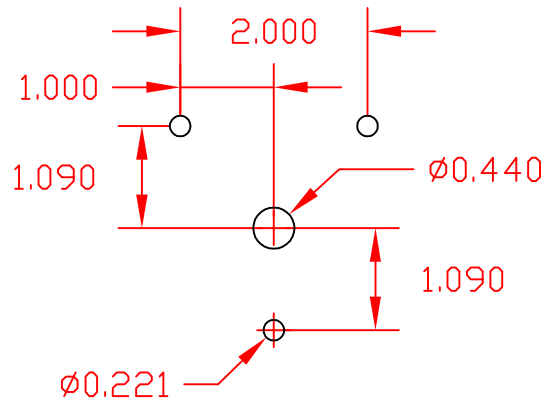
Mechanical:

- * Sections: 1
- * Positions: 2 or 3 (Adjustable by customer). Shaft will spring return to the rest position. (See Table)
- * Indexing: 45°
- * Rotational Life: 65,000 operations

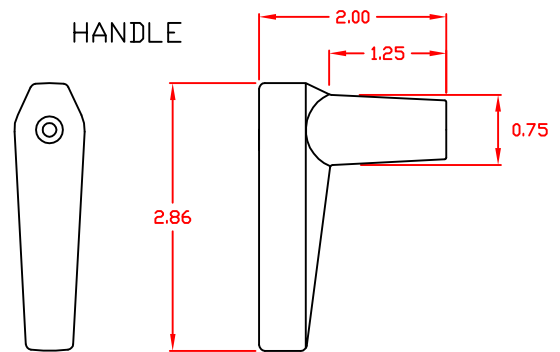
Materials and Finishes:

- * Rotors and Stators: Thermoset Plastic, UL 94VO
- * Rotor contacts: Phosphor bronze
- * Stator contacts: Silver plated copper, screw type
- * Terminal hardware: silver plated brass
- * Exterior Metal: Steel with zinc chromate finish
- * Knob: thermoset phenolic

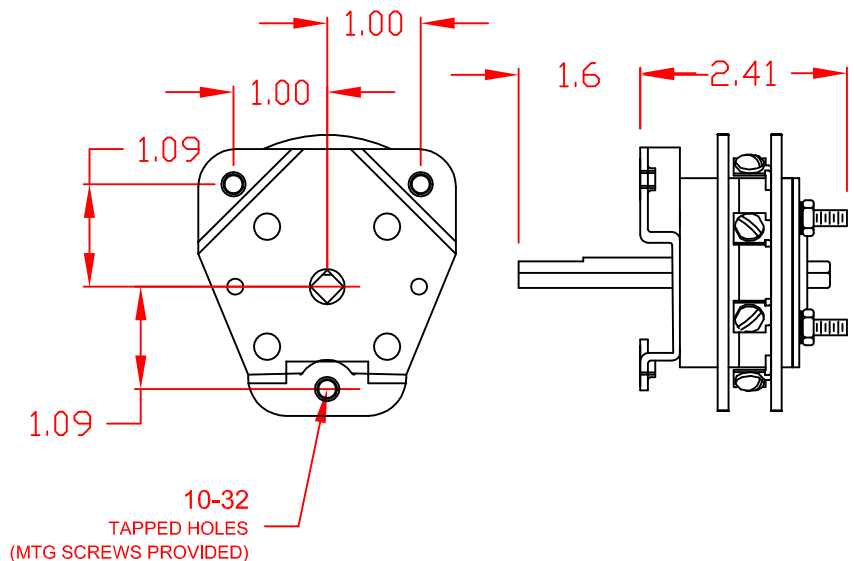
MOUNTING HOLE DETAIL



HANDLE



<p>ADJUSTABLE STOPS FOR OPERATION SHOWN</p>						
DECK	CONTACTS			POSITION		
	1	2	3	1	2	3
1	18	11	11	X		
	11	12	12		X	
	12	13	13			X
	14	15	15	X		
	15	16	16		X	
	16	17	17			X



76201D

REV. A



308 COMPONENTS DRIVE
 SMITHFIELD, NC 27577 USA