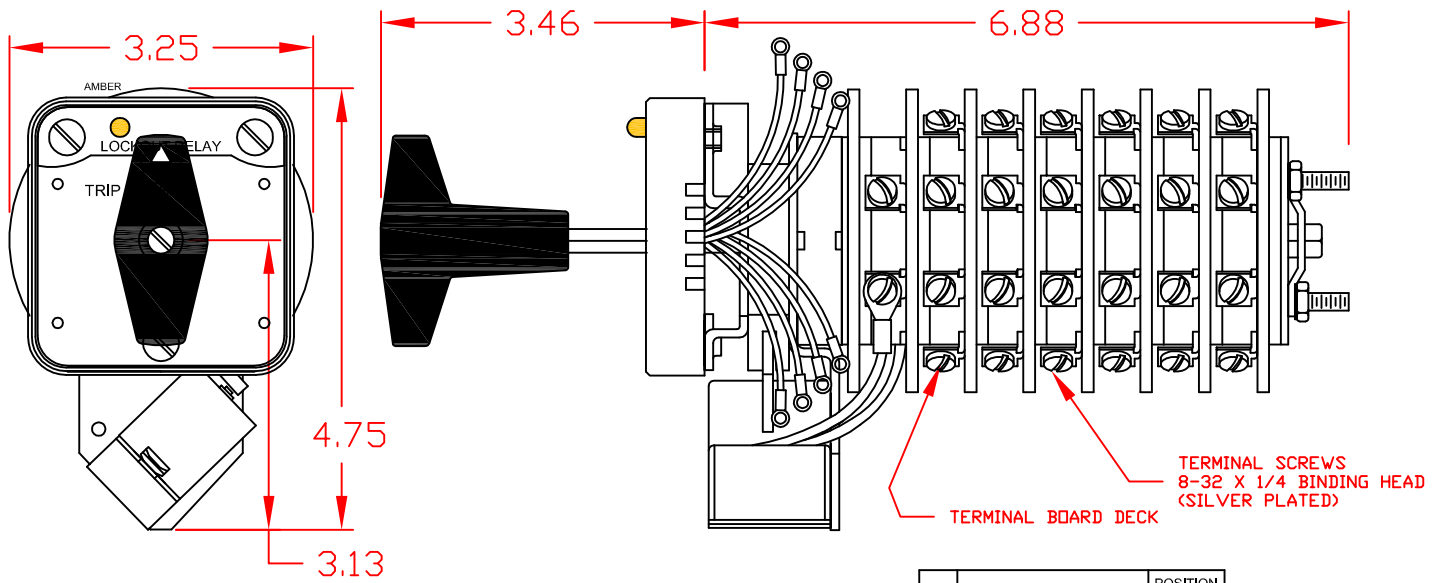


7605E 125VDCBXX



SPECIFICATIONS:

NO. OF POSITIONS: 2, TRIP AND RESET
 NO. OF SECTIONS: 5
 CONTACTS: 2 NORMALLY OPEN
 2 NORMALLY CLOSED
 PER DECK
 ACTION: 45° POSITIVE TRIP DETENT
 STATIONARY CONTACTS : SILVER OVER COPPER
 NAMEPLATE: AS SHOWN

COIL/LIGHTED PANEL SPECIFICATIONS:
 OPERATING VOLTAGE: 125 VDC
 OPERATING RANGE: 45-140 VDC
 CURRENT AT RATED VOLTAGE: 2.5 AMPS

ELECTRICAL RATINGS:
 25A/120 VAC 15A/600 VAC
 20A/600 VAC (RESISTIVE)
 3A/125 VDC 1A/250 VDC



DECK	CONTACTS		POSITION	
	TRIP	RESET	TRIP	RESET
1	11	13	X	X
	12	18	X	X
	15	17	X	X
	16	14	X	X
2	21	23	X	X
	22	28	X	X
	25	27	X	X
	26	24	X	X
3	31	33	X	X
	32	38	X	X
	35	37	X	X
	36	34	X	X
4	41	43	X	X
	42	48	X	X
	45	47	X	X
	46	44	X	X
5	51	53	X	X
	52	58	X	X
	55	57	X	X
	56	54	X	X

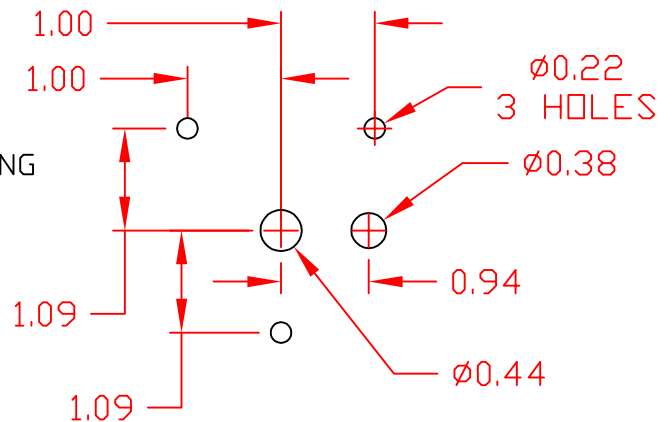
OVERLOAD CURRENT
 (50 OPERATIONS):
 95 A/120 VAC
 65 A/240 VAC
 35 A/600 VAC

DIELECTRIC STRENGTH:
 2200 VRMS

INSULATION RESISTANCE:
 100 MEGOHMS INITIAL

CONTACT RESISTANCE:
 10 MILLIOHMS MAX. INITIAL

MOUNTING HOLE
 DETAIL



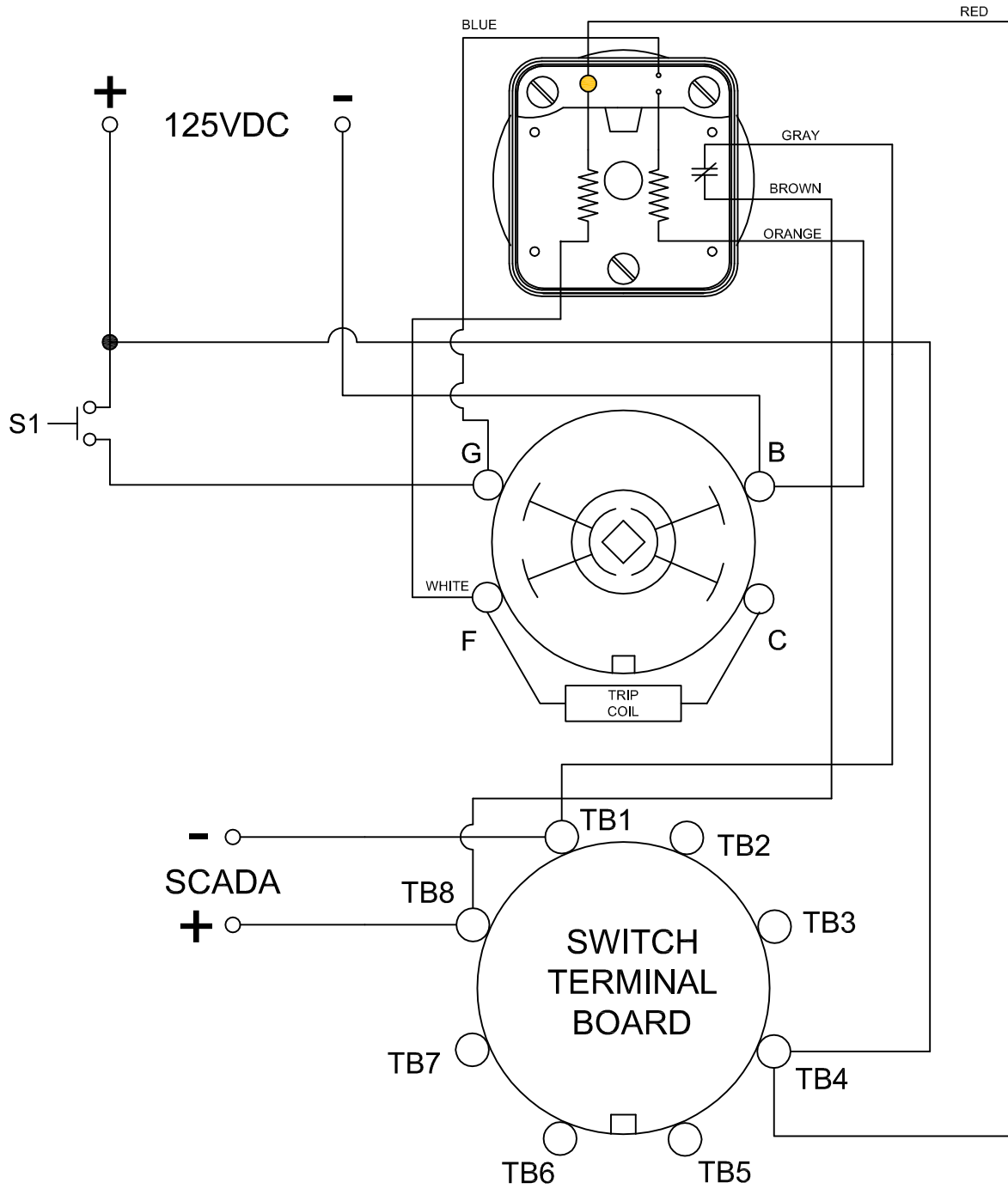
DESCRIPTION

LOCK-OUT RELAY SPECIFICATION SHEET

PART NUMBER

7605E 125VDCBXX

7605E 125VDCBXX



DESCRIPTION

LOCK-OUT RELAY SPECIFICATION SHEET

PART NUMBER

7605E 125VDCBXX

7605E 125VDCBXX

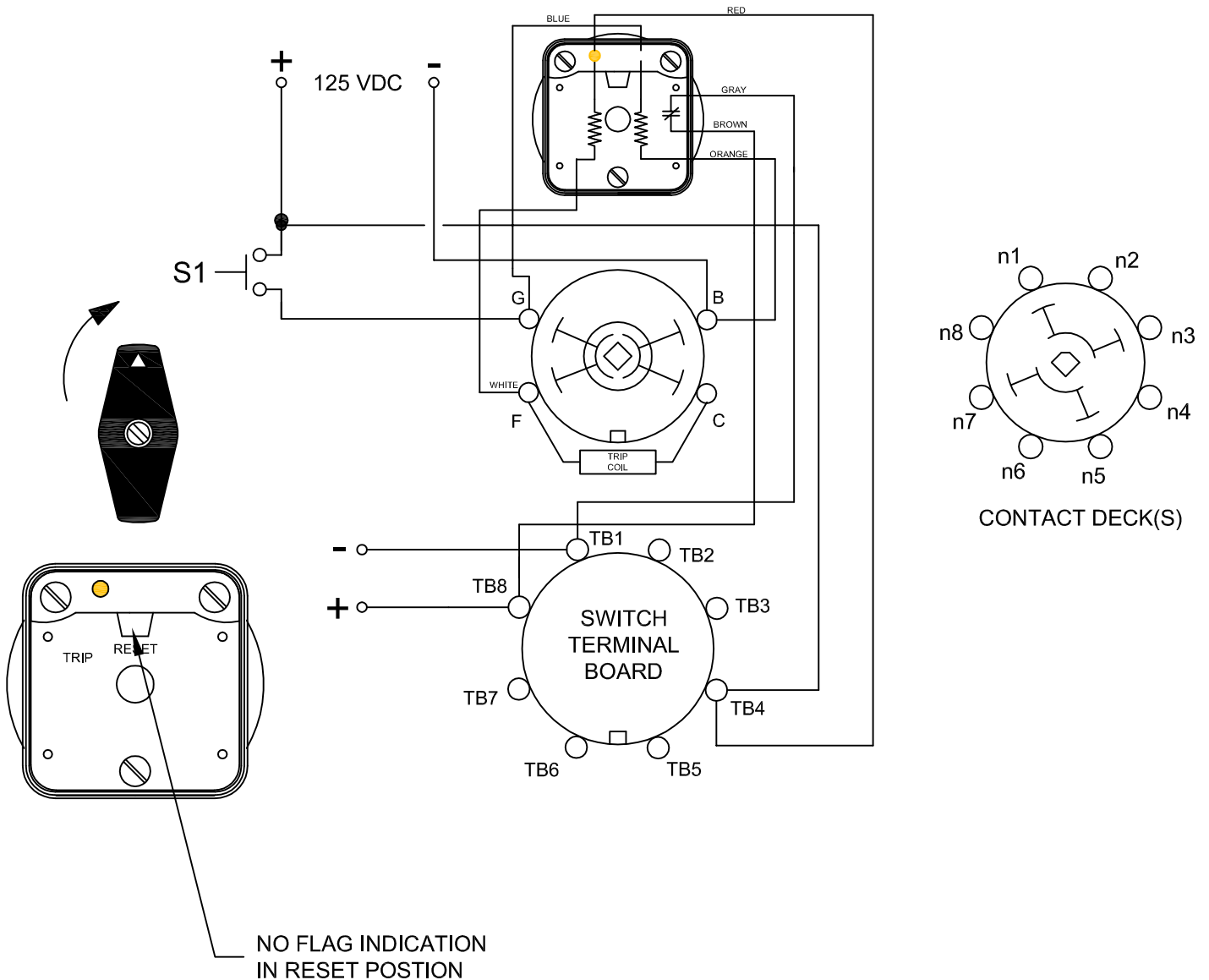
LOCK-OUT RELAYS (LOR)

GENERAL OPERATION:

THE HANDLE OF THE LOR MUST BE MANUALLY ROTATED CLOCKWISE TO PLACE THE UNIT IN THE "RESET" POSITION (SEE FIGURE A)

CONDITION #1		RESULT	
ROTOR	RESET (AS SHOWN)	LEFT LED	ON
SWITCH 1 (S1)	OPEN	SCADA CIRCUIT TRIP COIL MONITOR)	OPEN

FIGURE A - RESET POSITION



DESCRIPTION

LOCK-OUT RELAY SPECIFICATION SHEET

PART NUMBER

7605E 125VDCBXX

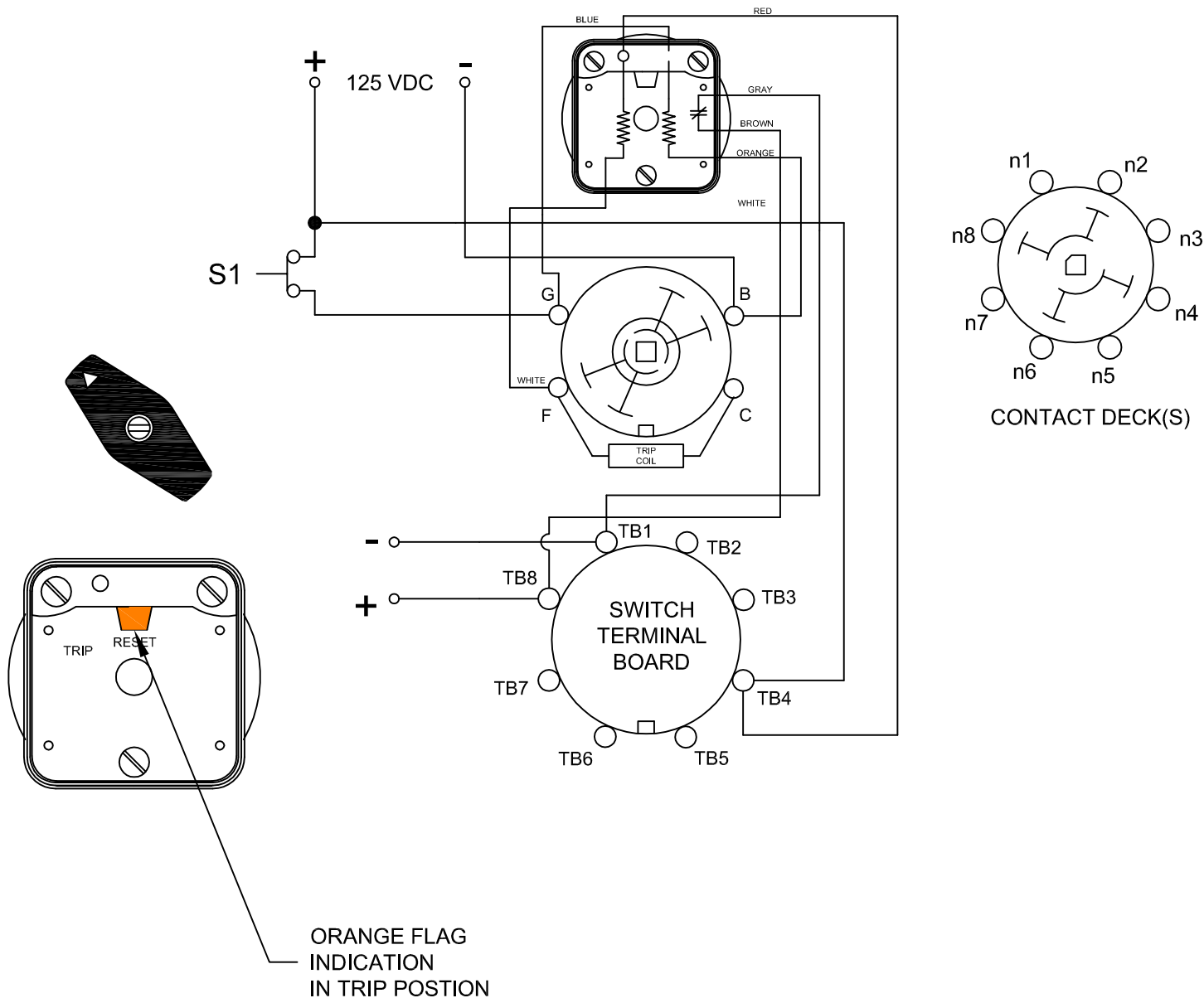
7605E 125VDCBXX

CONDITION #2	
ROTOR	TRIP (AS SHOWN)
SWITCH 1 (S1)	CLOSED

RESULT	
LEFT LED	OFF
SCADA SWITCH	CLOSED

WHEN S1 CLOSSES, THE COIL CAUSES A MECHANICAL ROTATION OF THE RELAY RESULTING IN THE SWITCH ROTOR ADVANCE TO THE "TRIP" POSITION SHOWN

FIGURE B - TRIP POSITION



DESCRIPTION

LOCK-OUT RELAY SPECIFICATION SHEET

PART NUMBER

7605E 125VDCBXX

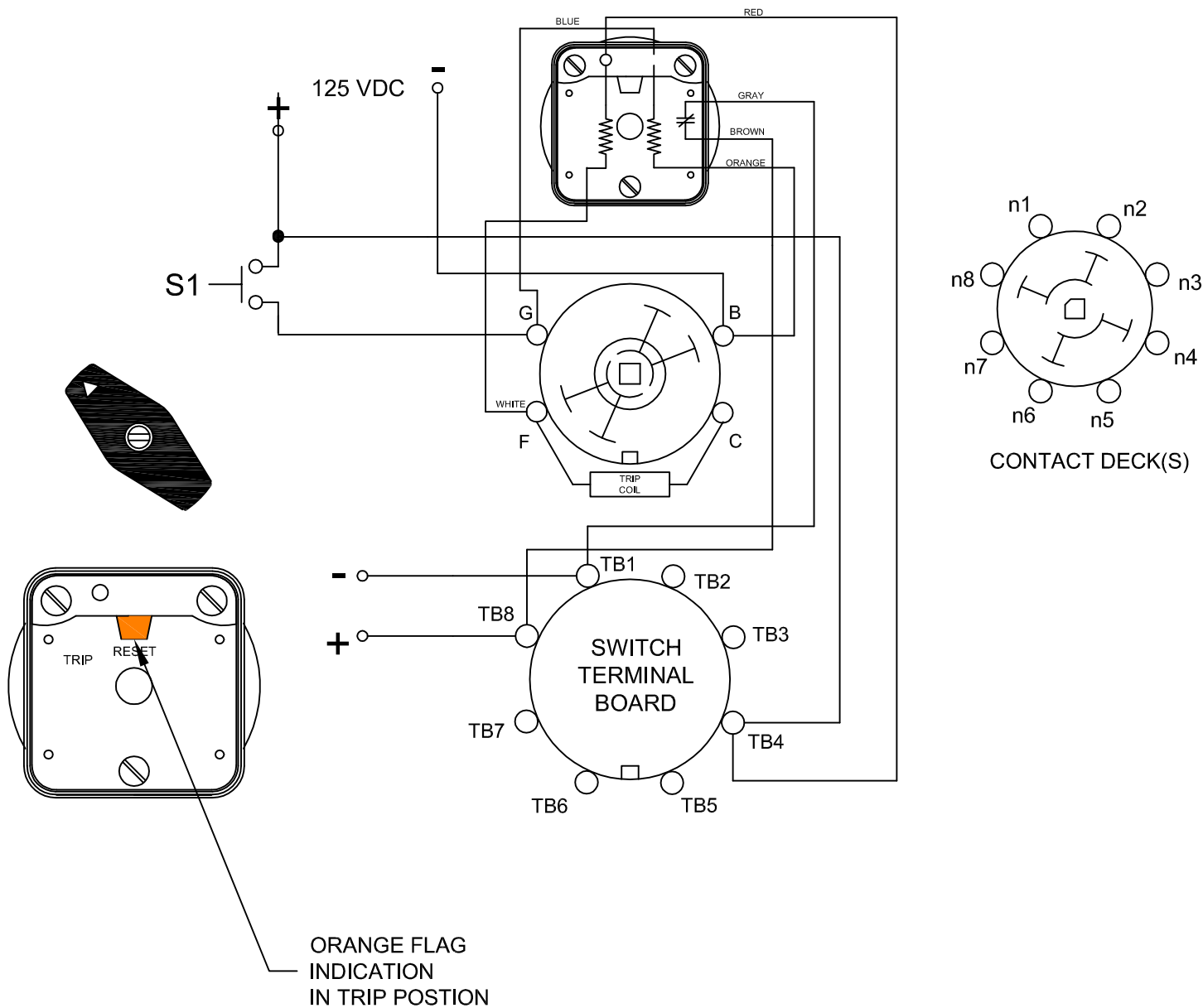
7605E 125VDCBXX

CONDITION #2	
ROTOR	TRIP (AS SHOWN)
SWITCH 1 (S1)	OPEN

RESULT	
LEFT LED	OFF
SCADA SWITCH	CLOSED

WHEN S1 OPENS, THE SCADA SWITCH CIRCUIT WILL REMAIN CLOSED UNTIL THE LOCK OUT RELAY IS ROTATED BACK TO THE RESET POSITION

FIGURE B - TRIP POSITION



DESCRIPTION

LOCK-OUT RELAY SPECIFICATION SHEET

PART NUMBER

7605E 125VDCBXX