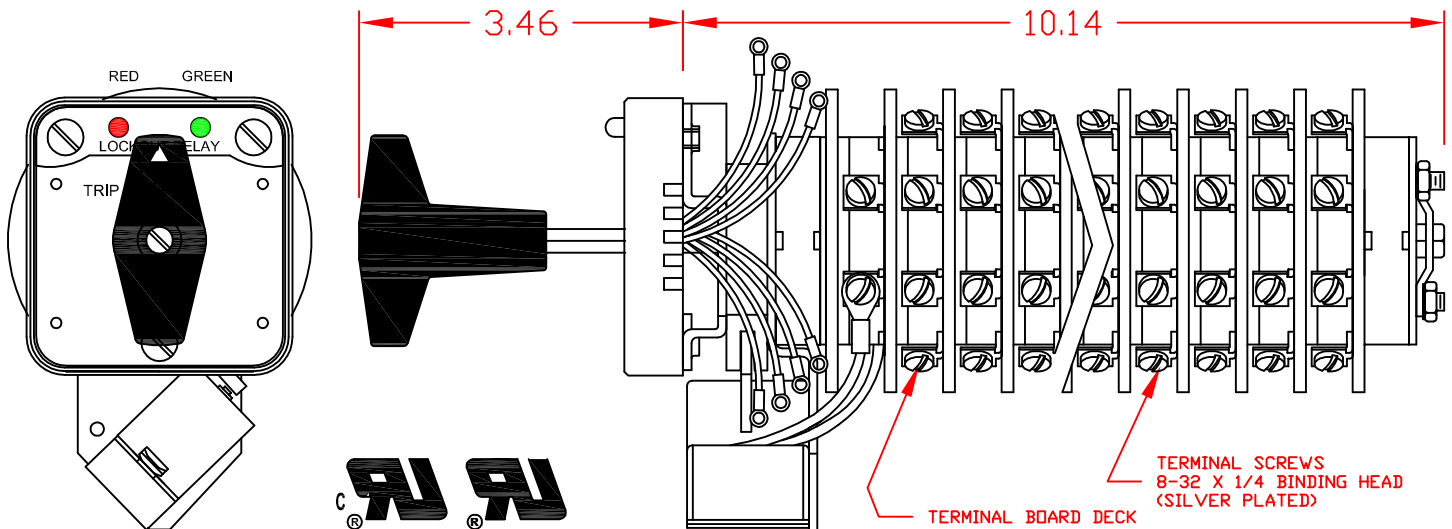


# 76010D125VDCAXC



**SPECIFICATIONS:**

NO. OF POSITIONS: 2, TRIP AND RESET

NO. OF SECTIONS: 10

CONTACTS: 2 NORMALLY OPEN  
2 NORMALLY CLOSED  
PER DECK

ACTION: 45° POSITIVE TRIP DETENT

STATIONARY CONTACTS : SILVER OVER COPPER

NAMEPLATE: AS SHOWN

**COIL SPECIFICATIONS:**

OPERATING VOLTAGE: 125 VDC / 120 VAC

THRESHOLD VOLTAGE: 16 VDC / 20 VAC

OPERATING RANGE: 30 - 140 VDC / 30 - 140 VAC

CURRENT AT RATED VOLTAGE: 4.6 / 4.4 AMPS

**ELECTRICAL RATINGS:**

25 A/120 VAC 3 A/ 125 VDC

15 A/240 VAC 1 A/ 250 VDC

6 A/600 VAC

**OVERLOAD CURRENT  
(50 OPERATIONS):**

95 A/120 VAC

65 A/240 VAC

35 A/600 VAC

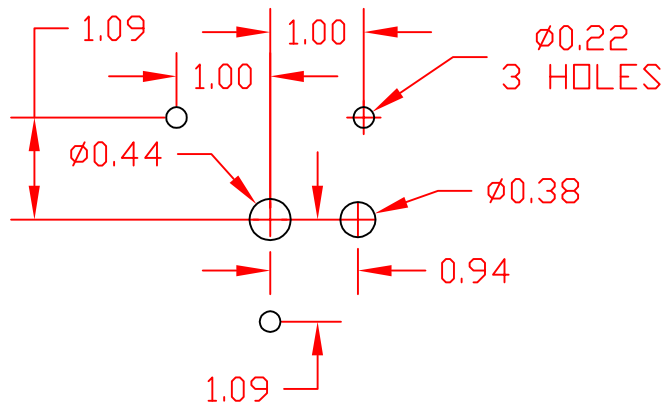
**DIELECTRIC STRENGTH:**  
2200 VRMS

**INSULATION RESISTANCE:**  
100 MEGOHMS INITIAL

**CONTACT RESISTANCE:**  
10 MILLIOHMS MAX. INITIAL

DECK	CONTACTS		POSITION	
	TRIP	RESET	TRIP	RESET
1	11	13		
	12	18		
	15	17		
	16	14		
2	21	23		
	22	28		
	25	27		
3	26	24		
	31	33		
	32	38		
4	35	37		
	36	34		
	41	43		
5	42	48		
	45	47		
	46	44		
6	51	53		
	52	58		
	55	57		
7	56	54		
	61	63		
	62	68		
8	65	67		
	66	64		
	71	73		
9	72	78		
	75	77		
	76	74		
10	81	83		
	82	88		
	85	87		
10	86	84		
	91	93		
	92	98		
10	95	97		
	96	94		
	101	103		
10	102	108		
	105	107		
	106	104		

**MOUNTING HOLE DETAIL**



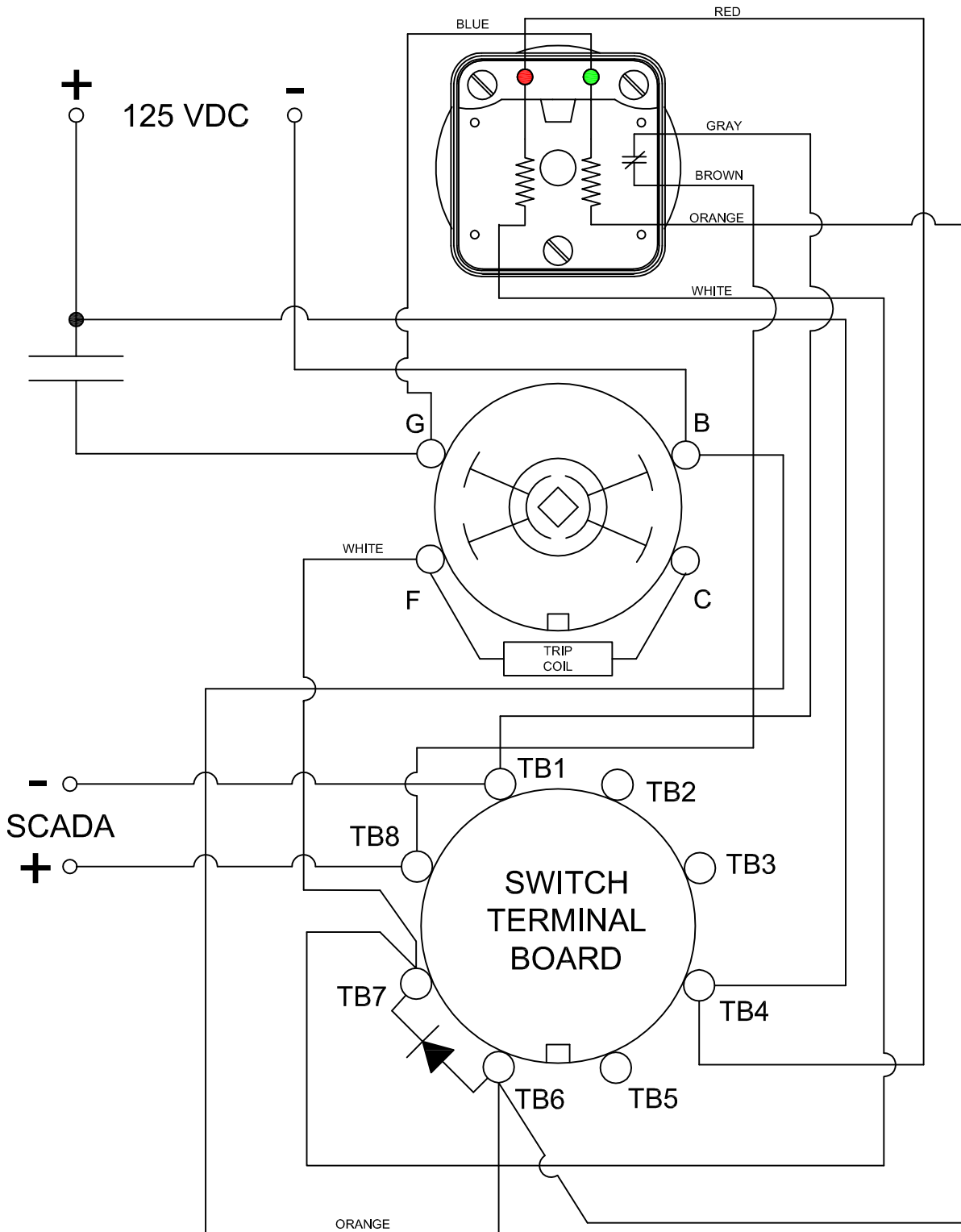
**DESCRIPTION**

7610D 125VDCAXC



308 COMPONENTS DRIVE  
SMITHFIELD, NC 27577 USA

# 76010D125VDCAXC



## DESCRIPTION

7610D 125VDCAXC

# 76010D125VDCAXC

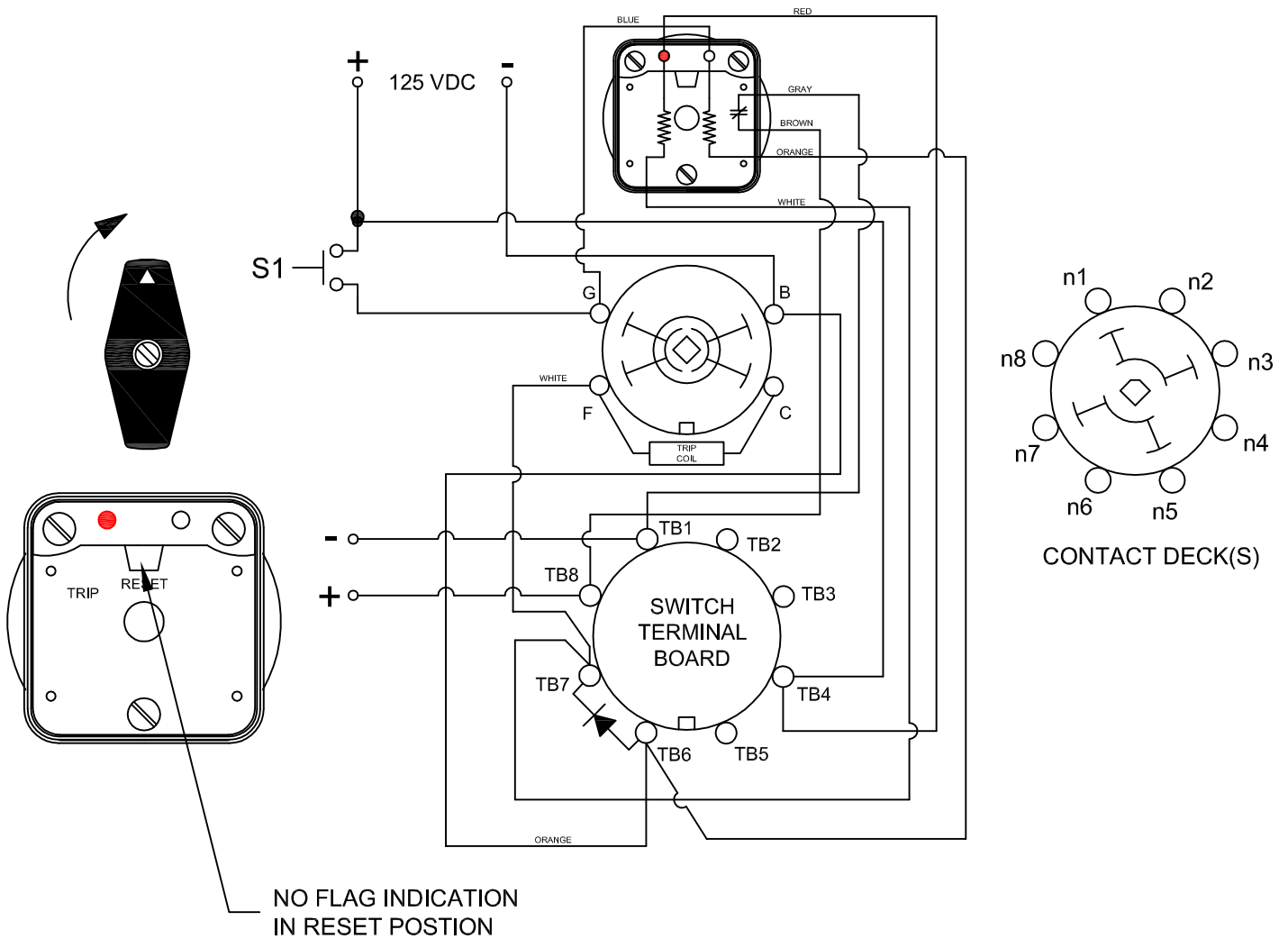
## LOCK-OUT RELAYS (LOR)

### GENERAL OPERATION:

THE HANDLE OF THE LOR MUST BE MANUALLY ROTATED CLOCKWISE TO PLACE THE UNIT IN THE "RESET" POSITION (SEE FIGURE A)

CONDITION #1		RESULT	
ROTOR	RESET (AS SHOWN)	LEFT LED	ON
SWITCH 1 (S1)	OPEN	RIGHT LED	OFF
		SCADA CIRCUIT TRIP COIL MONITOR)	OPEN

FIGURE A - RESET POSITION



### DESCRIPTION

7610D 125VDCAXC

**SHALCO**  
AN ISO 9001 COMPANY

308 COMPONENTS DRIVE  
SMITHFIELD, NC 27577 USA

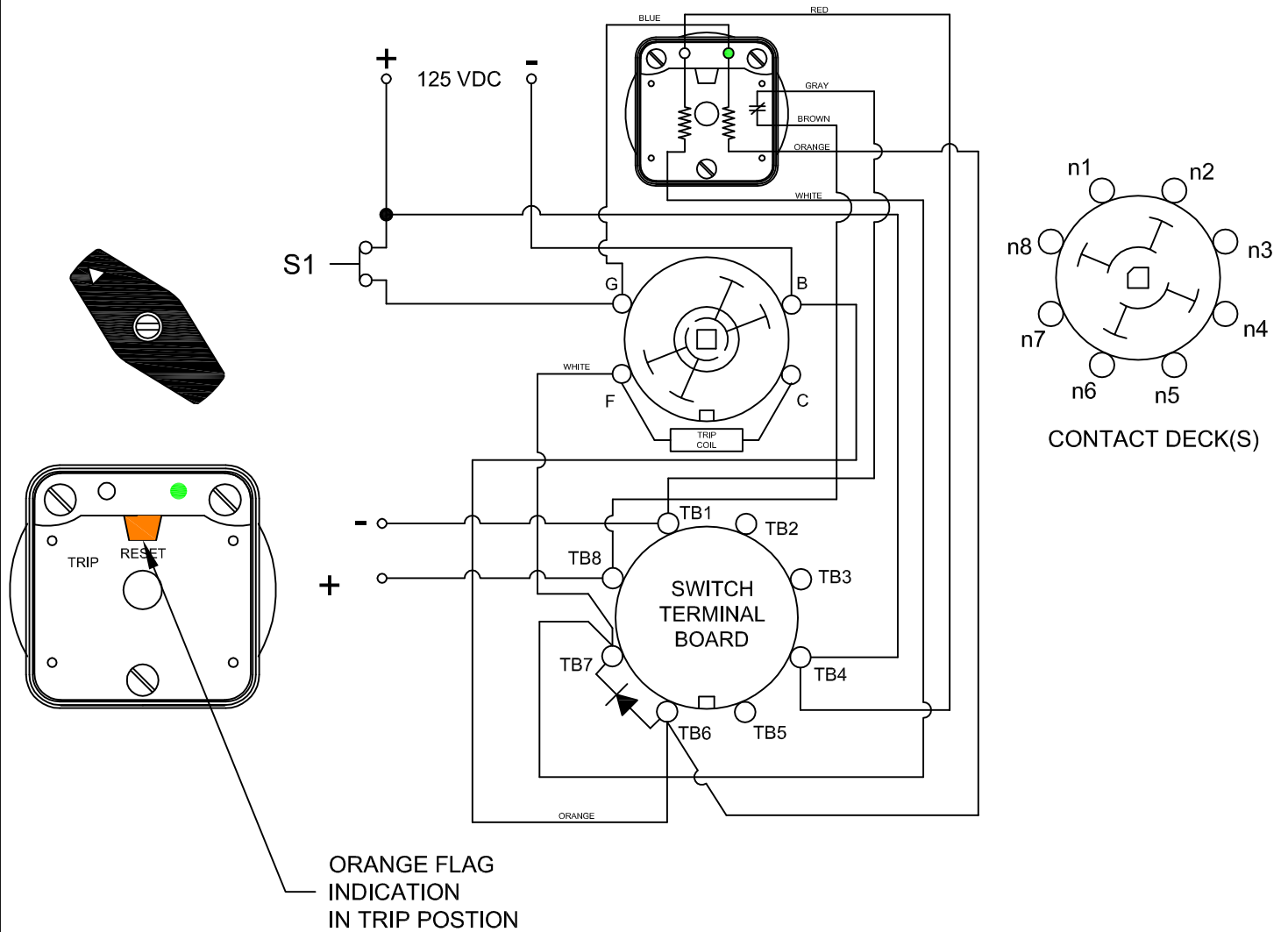
# 76010D125VDCAXC

CONDITION #2	
ROTOR	TRIP (AS SHOWN)
SWITCH 1 (S1)	CLOSED

RESULT	
LEFT LED	OFF
RIGHT LED	ON
SCADA SWITCH	CLOSED

WHEN S1 CLOSSES, THE COIL CAUSES A MECHANICAL ROTATION OF THE RELAY RESULTING IN THE SWITCH ROTOR ADVANCE TO THE "TRIP" POSITION SHOWN

FIGURE B - TRIP POSITION



## DESCRIPTION

7610D 125VDCAXC



308 COMPONENTS DRIVE  
SMITHFIELD, NC 27577 USA

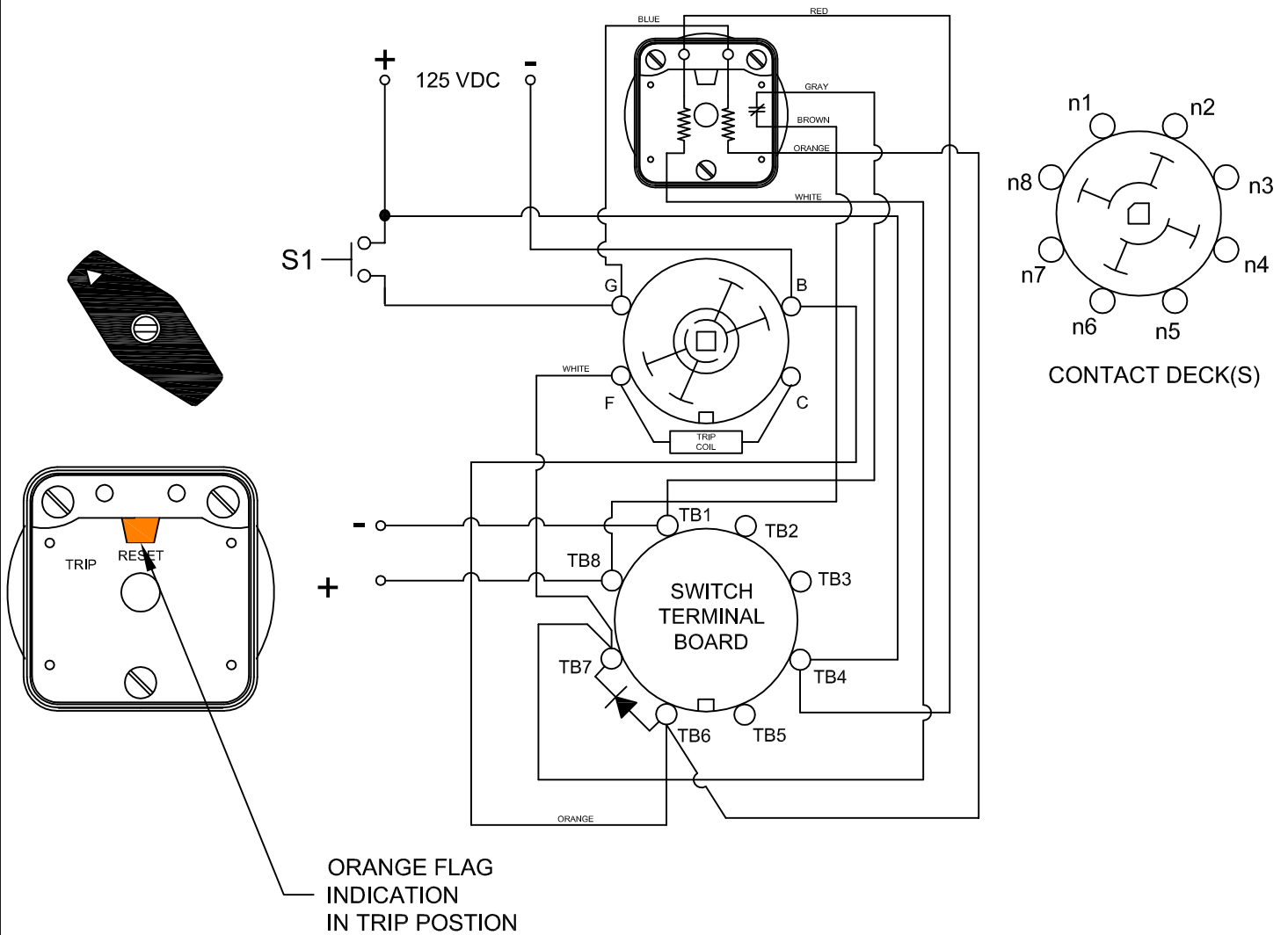
# 76010D125VDCAXC

CONDITION #2	
ROTOR	TRIP (AS SHOWN)
SWITCH 1 (S1)	OPEN

RESULT	
LEFT LED	OFF
RIGHT LED	OFF
SCADA SWITCH	CLOSED

WHEN S1 REOPENS, THE SCADA CIRCUIT REMAINS CLOSED AND THE RIGHT LED GOES OFF UNTIL THE LOR IS RETURNED TO THE RESET POSITION.

FIGURE B - TRIP POSITION



## DESCRIPTION

7610D 125VDCAXC