

SHALLCO SERIES 26
PART NUMBER: 2601B



VOLTMETER SWITCH

2-WIRE. SINGLE-PHASE OR D-C
 DOUBLE-POLE SINGLE-THROW

GENERAL:

MEETS REQUIREMENTS FOR 1 - 25 AMPERE
 SWITCHING OF RESISTIVE LOADS TO .75 POWER
 FACTOR AT VOLTAGES TO 600 V AC AND 250 V
 DC RESISTIVE LOADS

ELECTRICAL:

* RATINGS:

- 25A/120 VAC
- 15A/600 VAC
- 20A/600 VAC (RESISTIVE)
- 3A/125 VDC
- 1A/250 VDC



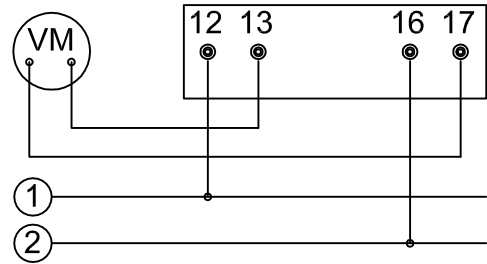
- * CURRENT CARRYING CAPACITY: 25 AMPERES
- * DIELECTRIC WITHSTANDING VOLTAGE: 2200 VRMS
- * CONTACT RESISTANCE: INITIAL, 10 MILLIOHMS MAX.
- * INSULATION RESISTANCE: 100 MEGOHMS MIN., INITIAL

MECHANICAL:

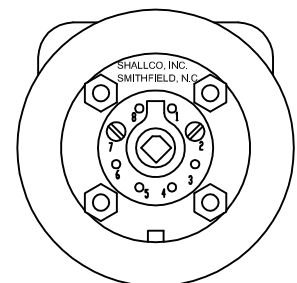
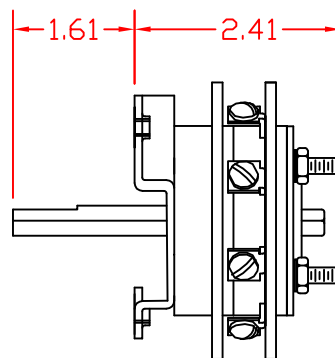
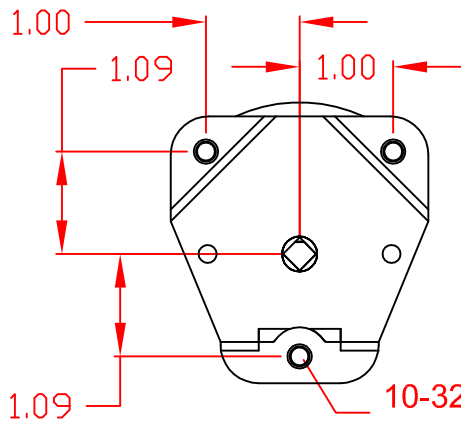
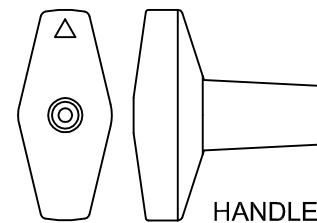
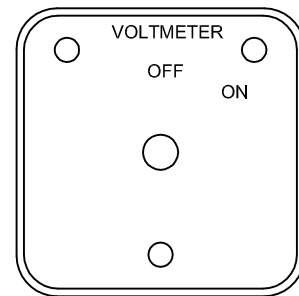
- * SECTIONS: 1
- * POSITIONS: 2
- * INDEXING: 45°
- * ROTATIONAL LIFE: 65,000 OPERATIONS

MATERIALS AND FINISHES:

- * ROTORS AND STATORS: THERMOSET PLASTIC, UL 94VO
- * ROTOR CONTACTS: PHOSPHOR BRONZE
- * STATOR CONTACTS: SILVER PLATED COPPER, SCREW TYPE
- * TERMINAL HARDWARE: SILVER PLATED BRASS
- * EXTERIOR METAL: STEEL WITH ZINC CHROMATE FINISH
- * KNOB: THERMOSET PHENOLIC



DECK	CONTACTS	POS.	
		OFF	ON
1	12 — — — — 13		X
	16 — — — — 17		X



2601B



308 COMPONENTS DRIVE
 SMITHFIELD, NC 27577 USA