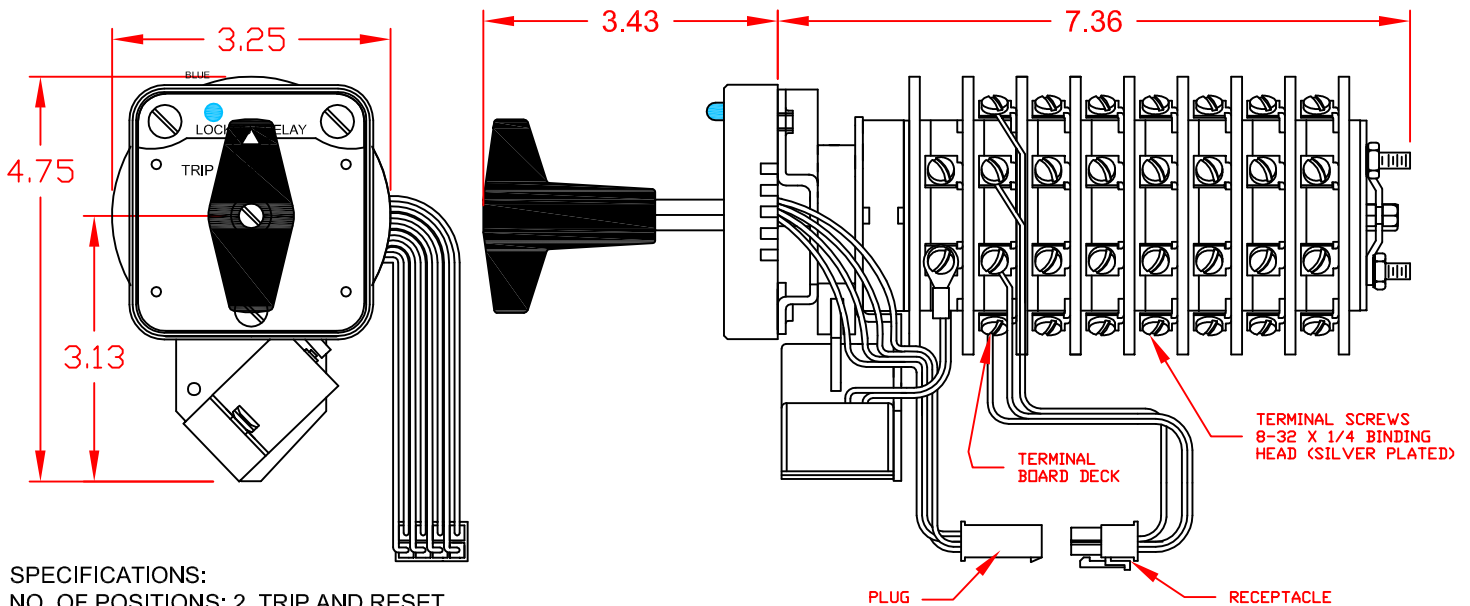


# 7606D 125VDCEXXWP



**SPECIFICATIONS:**

NO. OF POSITIONS: 2, TRIP AND RESET

NO. OF SECTIONS: 6

CONTACTS: 2 NORMALLY OPEN  
2 NORMALLY CLOSED  
PER DECK

ACTION: 45° POSITIVE TRIP DETENT

STATIONARY CONTACTS : SILVER OVER COPPER

NAMEPLATE: AS SHOWN

**COIL SPECIFICATIONS:**

OPERATING VOLTAGE: 125 VDC VAC

THRESHOLD VOLTAGE: 16 VDC VAC

OPERATING RANGE: 30 - 140 VDC VAC

CURRENT AT RATED VOLTAGE: 4.6 AMPS

**ELECTRICAL RATINGS:**

25A/120 VAC 15A/600 VAC

20A/600 VAC (RESISTIVE)

3A/125 VDC 1A/250 VDC



**OVERLOAD CURRENT**

(50 OPERATIONS):

95 A/120 VAC

65 A/240 VAC

35 A/600 VAC

**DIELECTRIC STRENGTH:**

2200 VRMS

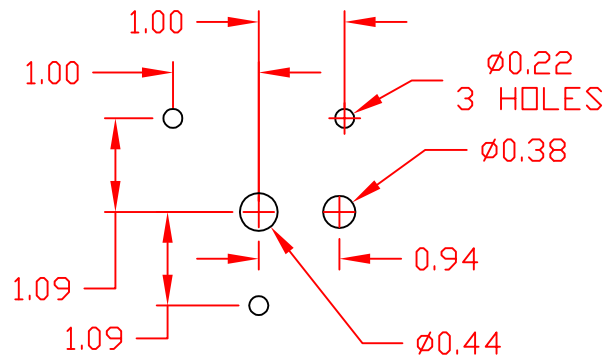
**INSULATION RESISTANCE:**

100 MEGOHMS INITIAL

**CONTACT RESISTANCE:**

10 MILLIOHMS MAX. INITIAL

DECK	CONTACTS		POSITION	
			TRIP	RESET
1	11	13	X	X
	12	18	X	X
	15	17	X	X
2	16	14	X	X
	21	23	X	X
	22	28	X	X
3	25	27	X	X
	26	24	X	X
	31	33	X	X
4	32	38	X	X
	35	37	X	X
	36	34	X	X
5	41	43	X	X
	42	48	X	X
	45	47	X	X
6	46	44	X	X
	51	53	X	X
	52	58	X	X
7	55	57	X	X
	56	54	X	X



PART NUMBER

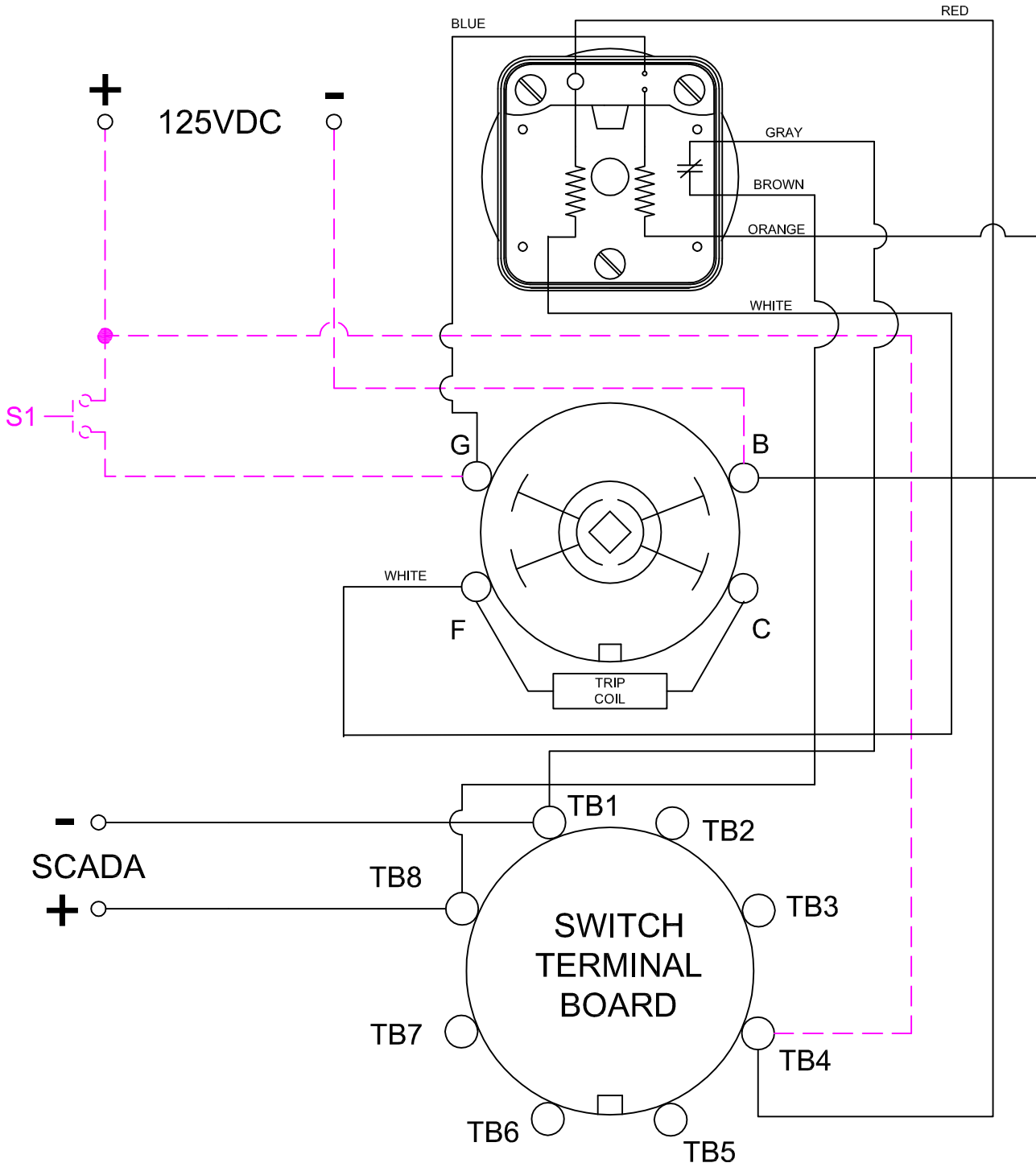
**7606D 125VDCEXXWP**



308 COMPONENTS DRIVE  
SMITHFIELD, NC 27577 USA

PANEL DRILLING

PAGE 1 OF 5



PART NUMBER

7606D 125VDC EXXWP

## LOCK-OUT RELAYS (LOR)

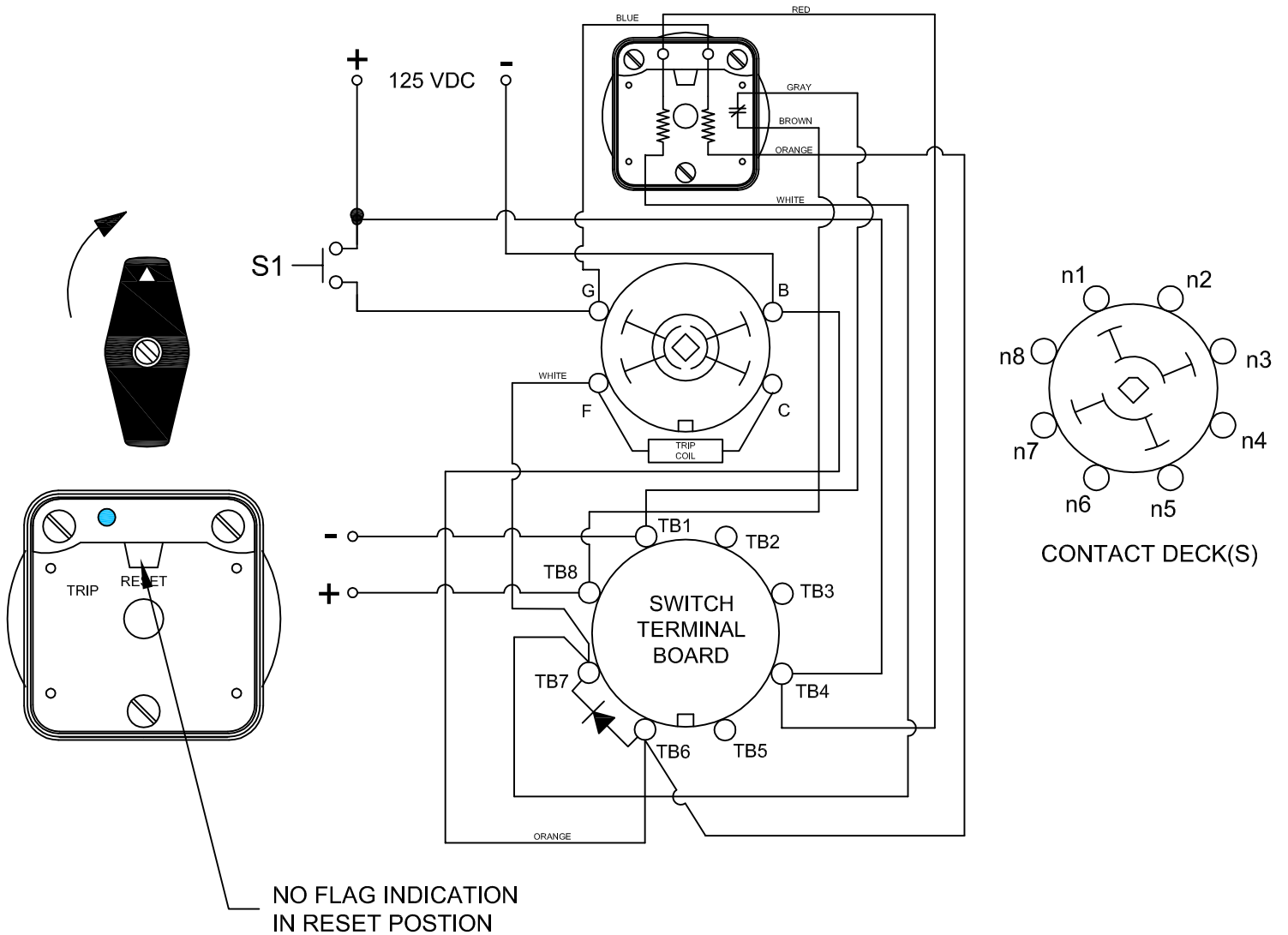
### GENERAL OPERATION:

THE HANDLE OF THE LOR MUST BE MANUALLY ROTATED CLOCKWISE TO PLACE THE UNIT IN THE "RESET" POSITION (SEE FIGURE A)

CONDITION #1	
ROTOR	RESET (AS SHOWN)
SWITCH 1 (S1)	OPEN

RESULT	
LEFT LED	ON
SCADA CIRCUIT TRIP COIL MONITOR)	OPEN

FIGURE A - RESET POSITION



PART NUMBER

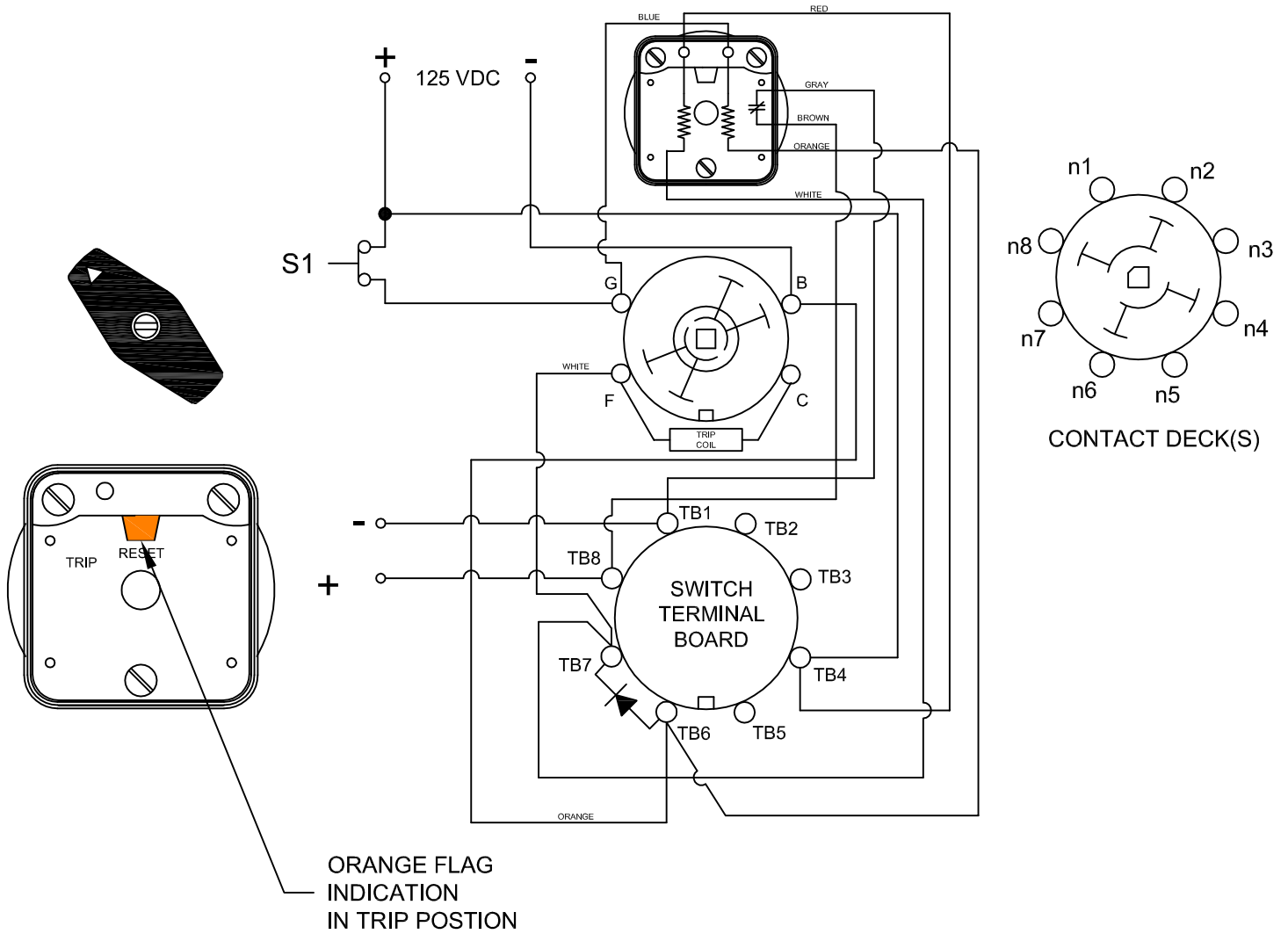
# 7606D 125VDC EXXWP

CONDITION #2	
ROTOR	TRIP (AS SHOWN)
SWITCH 1 (S1)	CLOSED

RESULT	
LEFT LED	OFF
SCADA SWITCH	CLOSED

WHEN S1 CLOSSES, THE COIL CAUSES A MECHANICAL ROTATION OF THE RELAY RESULTING IN THE SWITCH ROTOR ADVANCE TO THE "TRIP" POSITION SHOWN

FIGURE B - TRIP POSITION



CONDITION #2	
ROTOR	TRIP (AS SHOWN)
SWITCH 1 (S1)	OPEN

RESULT	
LEFT LED	OFF
SCADA SWITCH	CLOSED

WHEN S1 OPENS, THE RELAY REMAINS TRIPPED, THE LEFT LED REMAINS OFF AND THE SCADA CIRCUIT REMAINS CLOSED UNTIL THE SHAFT IS ROTATED BACK INTO THE "RESET" POSITION.

FIGURE B - TRIP POSITION

