

**General:**

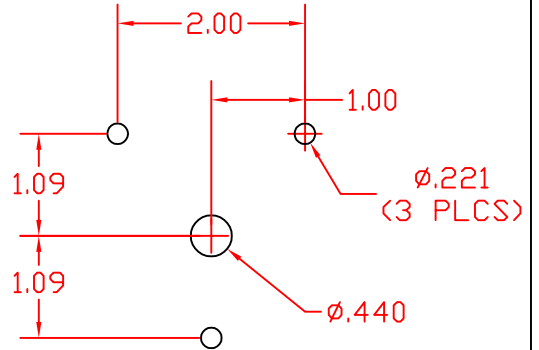
Meets requirements for 1 - 25 ampere switching of resistive loads to .75 power factor at voltages to 600 V AC and 250 VDC resistive loads

**Electrical:**

- \* Ratings: 25A/120 VAC
- 15A/600 VAC
- 20A/600 VAC (RESISTIVE)
- 3A/125 VDC
- 1A/250 VDC
- \* Current carrying capacity: 25 amperes
- \* Dielectric Withstanding Voltage: 2200 Vrms
- \* Contact Resistance: Initial, 10 milliohms max.
- \* Insulation Resistance: 100 Megohms min., initial

**Materials and Finishes:**

- \* Rotors and Stators: Thermoset Plastic, UL 94VO
- \* Rotor contacts: Phosphor bronze
- \* Stator contacts: Silver plated copper, screw type
- \* Terminal hardware: silver plated brass
- \* Exterior Metal: Steel with zinc chromate finish
- \* Knob: thermoset phenolic



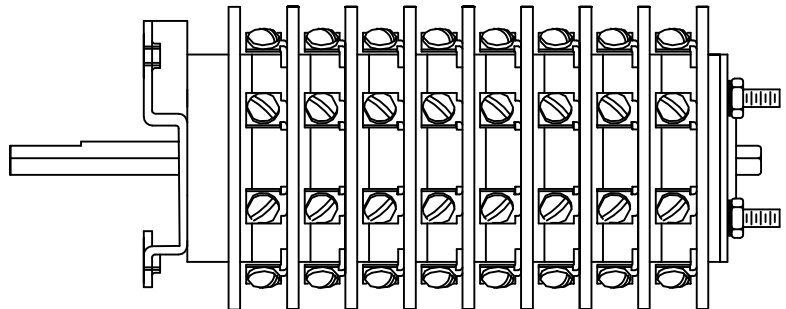
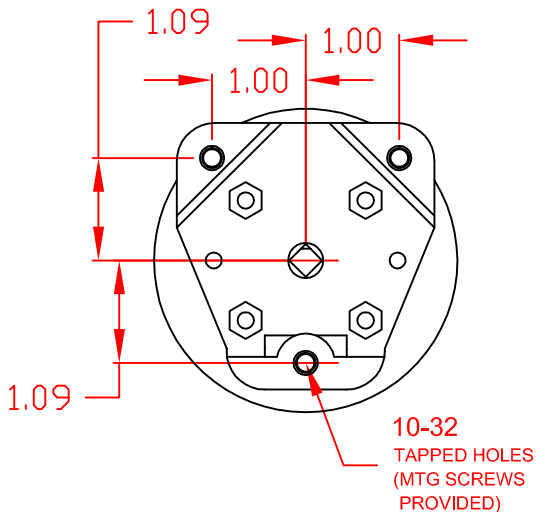
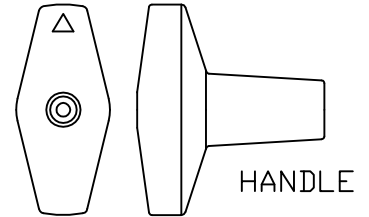
MOUNTING HOLE DETAIL

**Mechanical:**

- \* Sections: 8
- \* Positions: 4 (ON-ON-ON-ON) See Table
- \* Indexing: 45°
- \* Rotational Life: 65,000 operations

TRUTH TABLE

DECK	CONTACTS				POS.			
	1	2	3	4	1	2	3	4
1	110-II-II-013	X						
	120-II-II-014		X					
	130-II-II-015			X				
	140-II-II-016				X			
	150-II-II-017	X						
	160-II-II-018		X					
	170-II-II-011			X				
	180-II-II-012				X			
	210-II-II-023	X						
	220-II-II-024		X					
230-II-II-025			X					
240-II-II-026				X				
250-II-II-027	X							
260-II-II-028		X						
270-II-II-021			X					
280-II-II-022				X				
3	310-II-II-033	X						
	320-II-II-034		X					
	330-II-II-035			X				
	340-II-II-036				X			
	350-II-II-037	X						
	360-II-II-038		X					
	370-II-II-031			X				
	380-II-II-032				X			
	410-II-II-043	X						
	420-II-II-044		X					
430-II-II-045			X					
440-II-II-046				X				
450-II-II-047	X							
460-II-II-048		X						
470-II-II-041			X					
480-II-II-042				X				
5	510-II-II-053	X						
	520-II-II-054		X					
	530-II-II-055			X				
	540-II-II-056				X			
	550-II-II-057	X						
	560-II-II-058		X					
	570-II-II-051			X				
	580-II-II-052				X			
	610-II-II-063	X						
	620-II-II-064		X					
630-II-II-065			X					
640-II-II-066				X				
650-II-II-067	X							
660-II-II-068		X						
670-II-II-061			X					
680-II-II-062				X				
7	710-II-II-073	X						
	720-II-II-074		X					
	730-II-II-075			X				
	740-II-II-076				X			
	750-II-II-077	X						
	760-II-II-078		X					
	770-II-II-071			X				
	780-II-II-072				X			
	810-II-II-083	X						
	820-II-II-084		X					
830-II-II-085			X					
840-II-II-086				X				
850-II-II-087	X							
860-II-II-088		X						
870-II-II-081			X					
880-II-II-082				X				



26508B