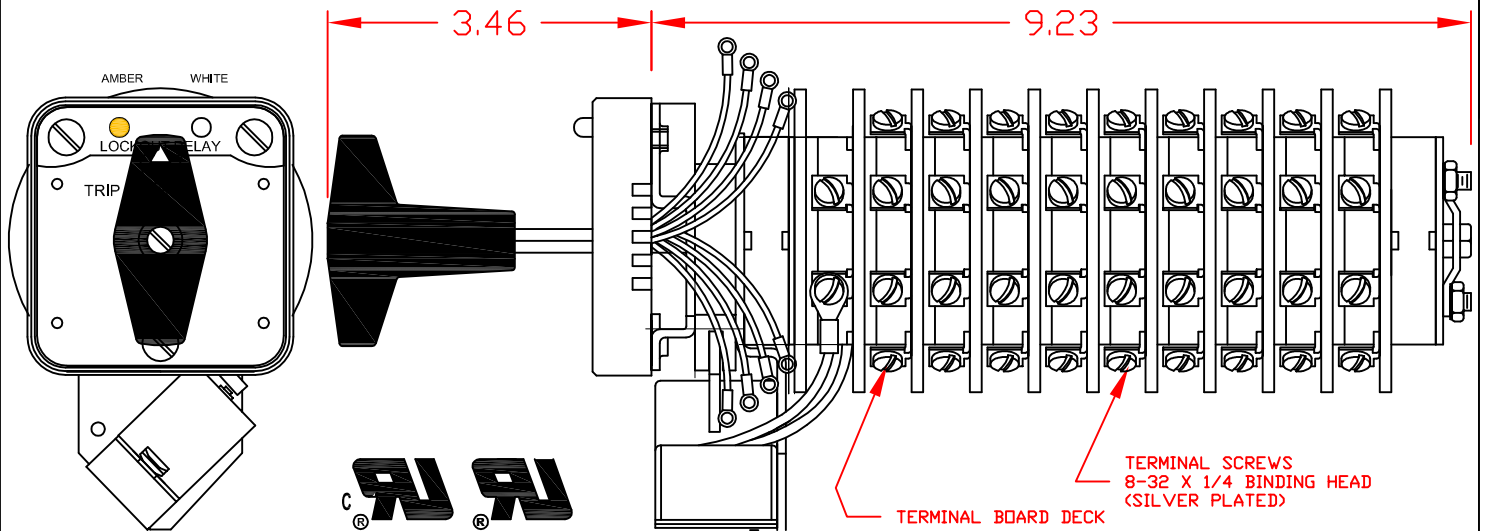


7608D 125VDCBXD



SPECIFICATIONS:

NO. OF POSITIONS: 2, TRIP AND RESET
 NO. OF SECTIONS: 8
 CONTACTS: 2 NORMALLY OPEN
 2 NORMALLY CLOSED
 PER DECK
 ACTION: 45° POSITIVE TRIP DETENT
 STATIONARY CONTACTS : SILVER OVER COPPER
 NAMEPLATE: AS SHOWN

COIL SPECIFICATIONS:

OPERATING VOLTAGE: 125 VDC / 120 VAC
 THRESHOLD VOLTAGE: 16 VDC / 20 VAC
 OPERATING RANGE: 30 - 140 VDC / 30 - 140 VAC
 CURRENT AT RATED VOLTAGE: 4.6 / 4.4 AMPS

ELECTRICAL RATINGS:

25 A/120 VAC 3 A/ 125 VDC
 15 A/240 VAC 1 A/ 250 VDC
 6 A/600 VAC

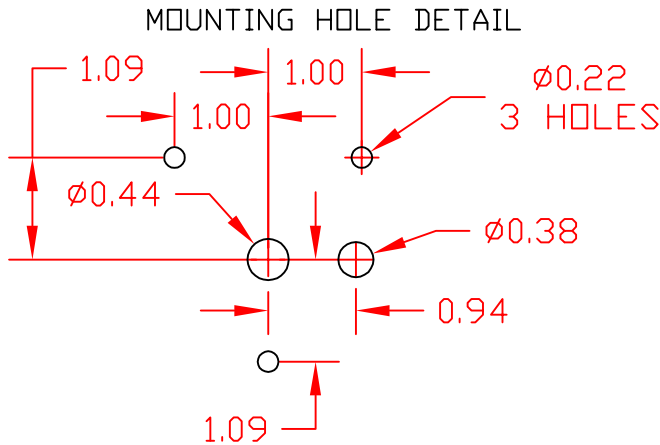
OVERLOAD CURRENT (50 OPERATIONS):

95 A/120 VAC
 65 A/240 VAC
 35 A/600 VAC

DIELECTRIC STRENGTH:
 2200 VRMS

INSULATION RESISTANCE:
 100 MEGOHMS INITIAL

CONTACT RESISTANCE:
 10 MILLIOHMS MAX. INITIAL



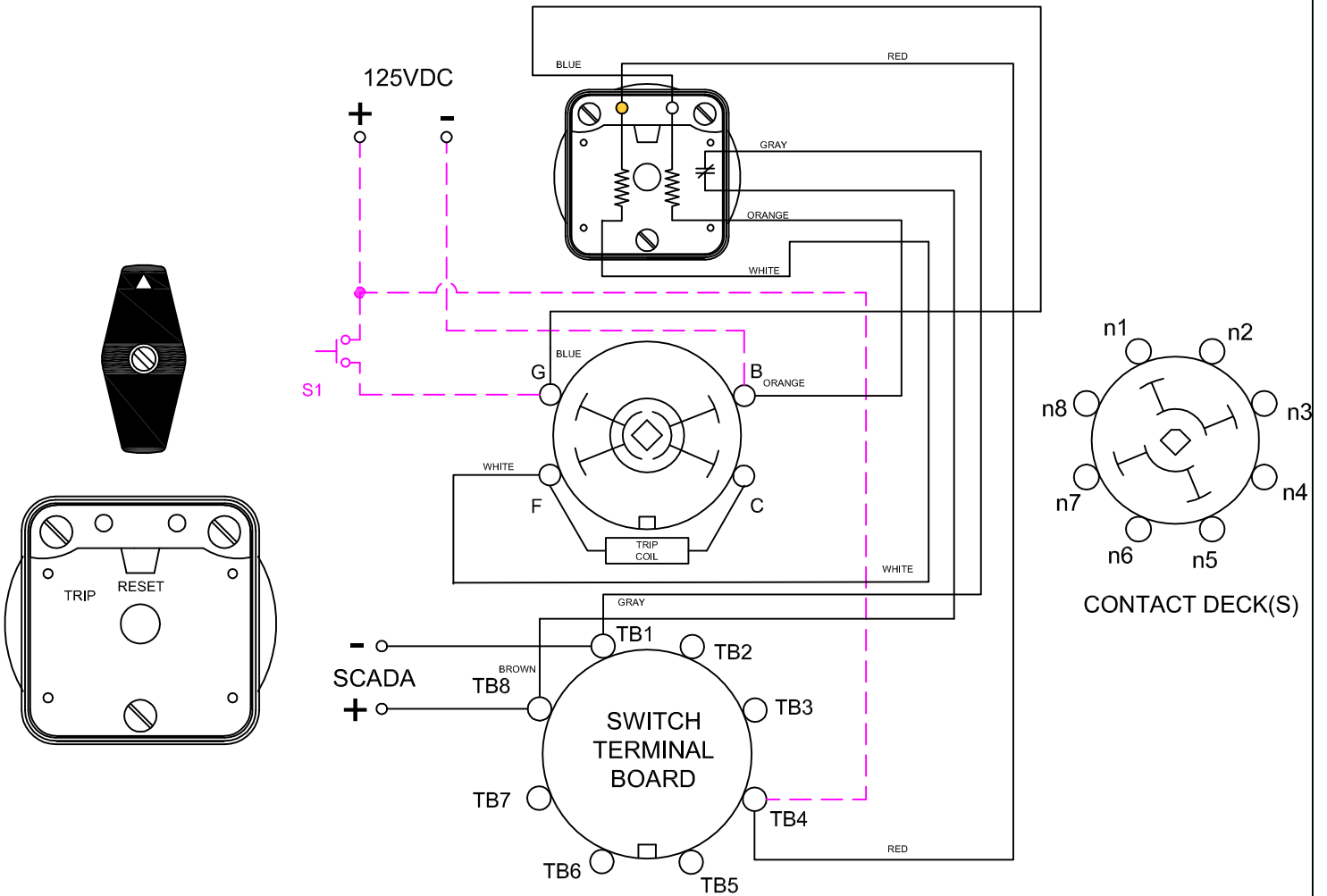
DECK	CONTACTS		POSITION	
	TRIP	RESET	TRIP	RESET
1	11	13		
	12	18	X	X
	15	17		
	16	14	X	X
2	21	23		
	22	28	X	X
	25	27		
3	26	24	X	X
	31	33		
	32	38	X	X
	35	37		
4	36	34	X	X
	41	43		
	42	48	X	X
	45	47		
5	46	44	X	X
	51	53		
	52	58	X	X
	55	57		
6	56	54	X	X
	61	63		
	62	68	X	X
	65	67		
7	66	64	X	X
	71	73		
	72	78	X	X
	75	77		
8	76	74	X	X
	81	83		
	82	88	X	X
	85	87		
	86	84	X	X

LOCK-OUT RELAY SPECIFICATION SHEET

7608D 125VDCBXD



308 COMPONENTS DRIVE
 SMITHFIELD, NC 27577 USA



LOCK-OUT RELAY SPECIFICATION SHEET

7608D 125VDCBXD

7608D 125VDCBXD

LED INDICATION

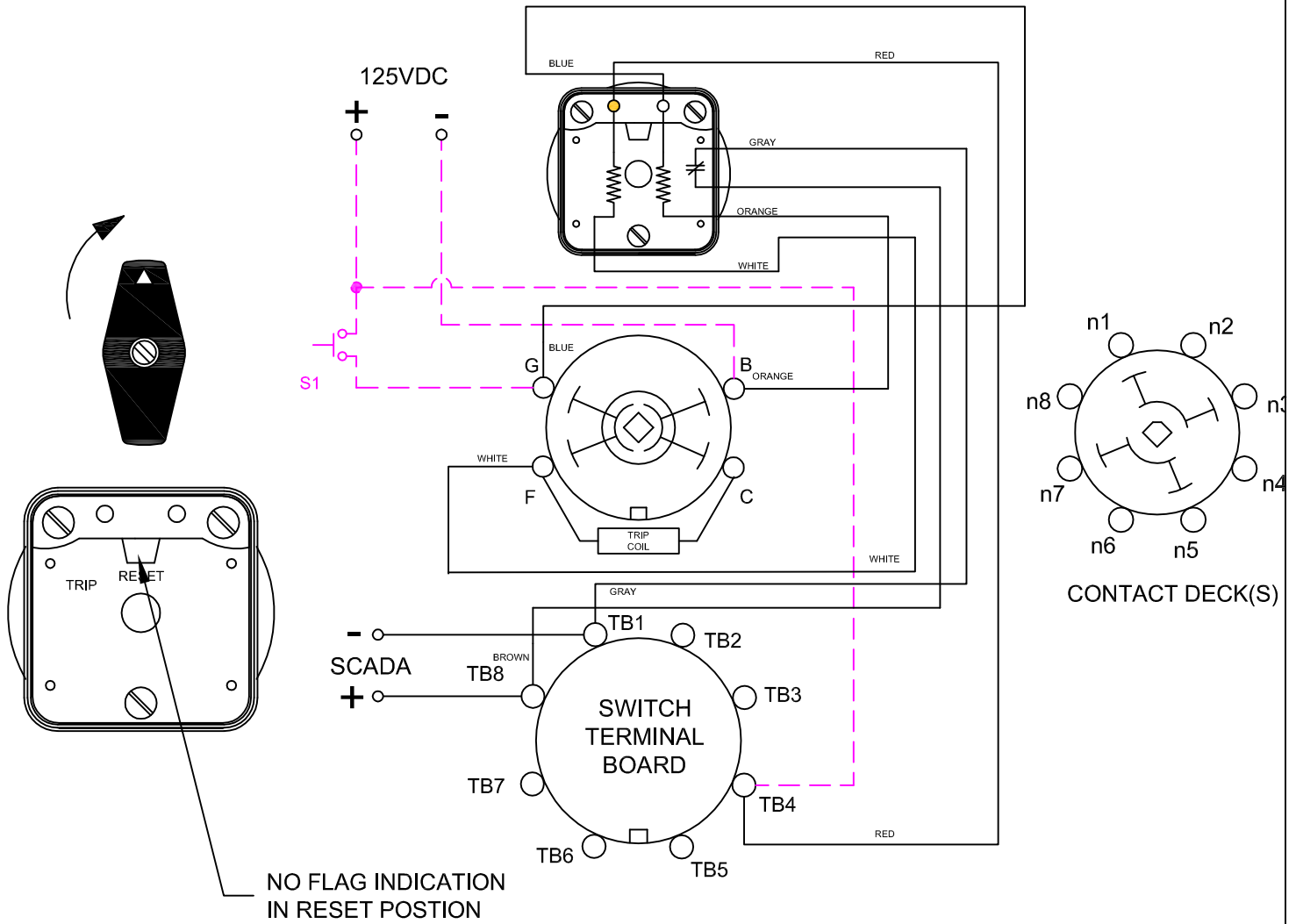
CONDITION #1	
ROTOR	RESET (AS SHOWN)
SWITCH 1 (S1)	OPEN

RESULT	
LEFT LED	ON
RIGHT LED	OFF
SCADA CIRCUIT (TRIP COIL MONITOR)	OPEN

LOCK-OUT RELAYS (LOR)

GENERAL OPERATION:

THE HANDLE OF THE LOR MUST BE MANUALLY ROTATED CLOCKWISE TO PLACE THE UNIT IN THE "RESET" POSITION



LOCK-OUT RELAY SPECIFICATION SHEET

7608D 125VDCBXD

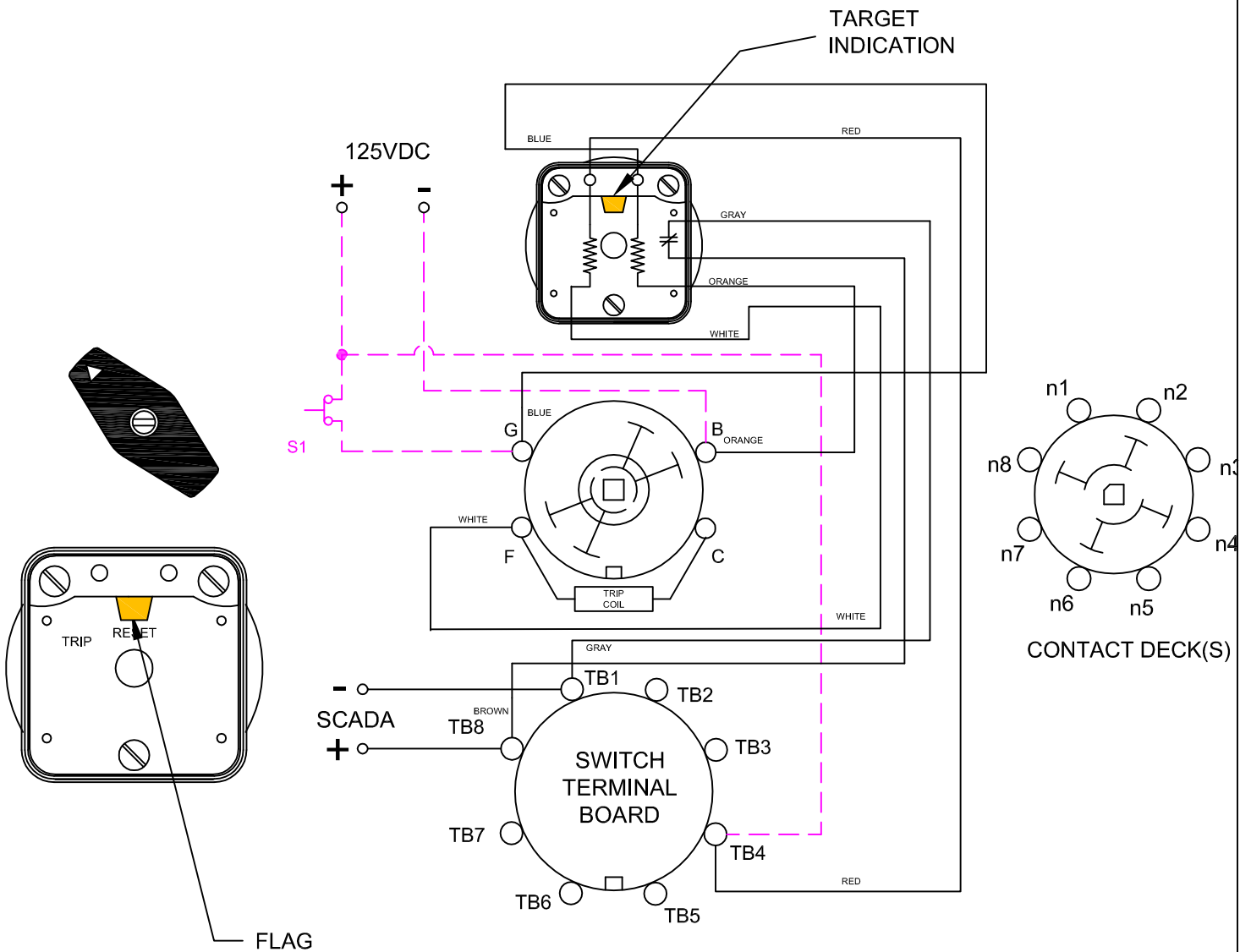
7608D 125VDCBXD

LED INDICATION

CONDITION #2	
ROTOR	RESET (AS SHOWN)
SWITCH 1 (S1)	CLOSED

RESULT	
LEFT LED	OFF
RIGHT LED	ON
SCADA SWITCH	CLOSED

WHEN S1 CLOSSES, THE COIL CAUSES A MECHANICAL ROTATION OF THE RELAY RESULTING IN THE SWITCH ROTOR ADVANCE TO THE "TRIP" POSITION SHOWN



LOCK-OUT RELAY SPECIFICATION SHEET

7608D 125VDCBXD

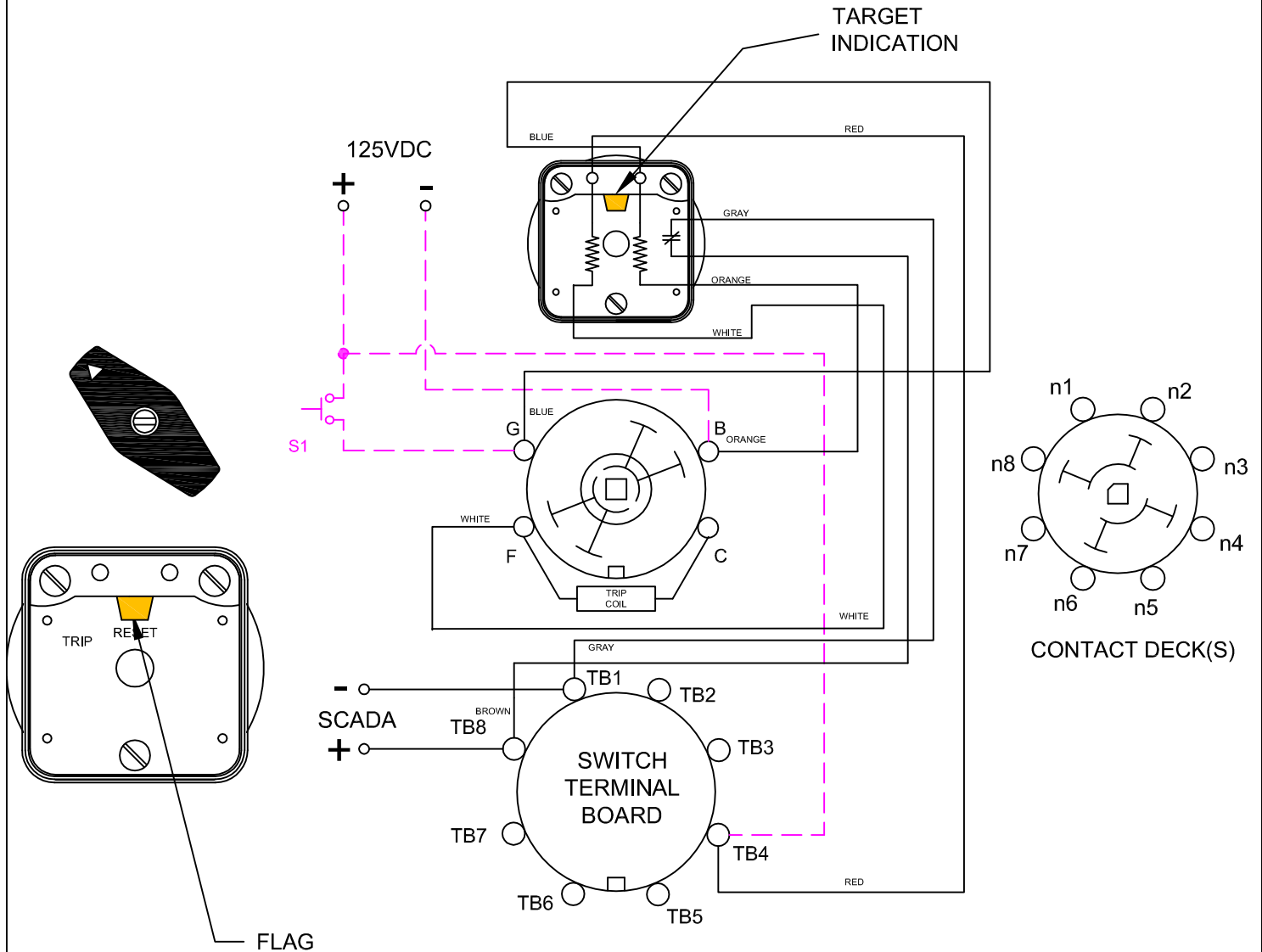
7608D 125VDCBXD

LED INDICATION

CONDITION #2	
ROTOR	RESET (AS SHOWN)
SWITCH 1 (S1)	OPEN

RESULT	
LEFT LED	OFF
RIGHT LED	OFF
SCADA SWITCH	CLOSED

WHEN S1 OPENS THE LOR WILL REMAIN IN THE TRIPPED POSITION AND THE SCADA CIRCUIT WILL REMAIN CLOSED UNTIL THE LOR IS ROTATED BACK INTO THE RESET POSITION



LOCK-OUT RELAY SPECIFICATION SHEET

7608D 125VDCBXD