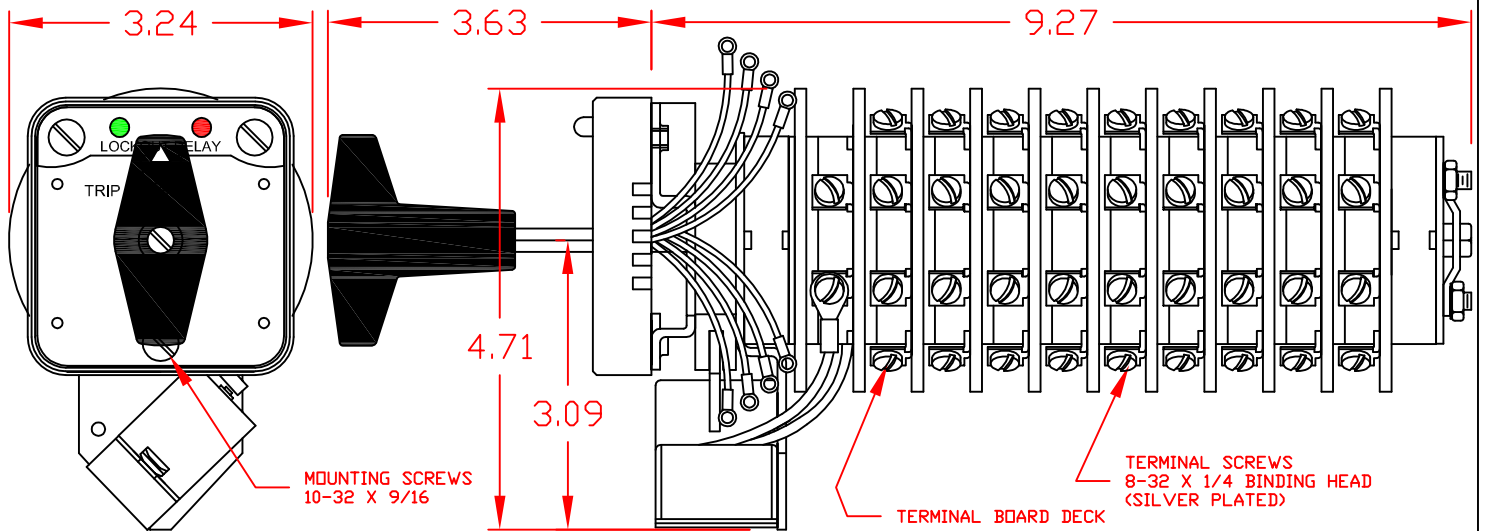


# 7608D 125VDCCXA



**SPECIFICATIONS:**

NO. OF POSITIONS: 2, TRIP AND RESET  
 NO. OF SECTIONS: 8  
 CONTACTS: 2 NORMALLY OPEN  
           2 NORMALLY CLOSED  
           PER DECK  
 ACTION: 45° POSITIVE TRIP DETENT  
 STATIONARY CONTACTS : SILVER OVER COPPER  
 NAMEPLATE: AS SHOWN

**COIL SPECIFICATIONS:**

OPERATING VOLTAGE: 125 VDC  
 THRESHOLD VOLTAGE: 16 VDC  
 OPERATING RANGE: 30 - 140 VDC  
 CURRENT AT RATED VOLTAGE: 4.6



**ELECTRICAL RATINGS:**

25A/120 VAC  
 15A/600 VAC  
 20A/600 VAC (RESISTIVE)  
 3A/125 VDC  
 1A/250 VDC

**OVERLOAD CURRENT (50 OPERATIONS):**

95 A/120 VAC  
 65 A/240 VAC  
 35 A/600 VAC

**DIELECTRIC STRENGTH:**

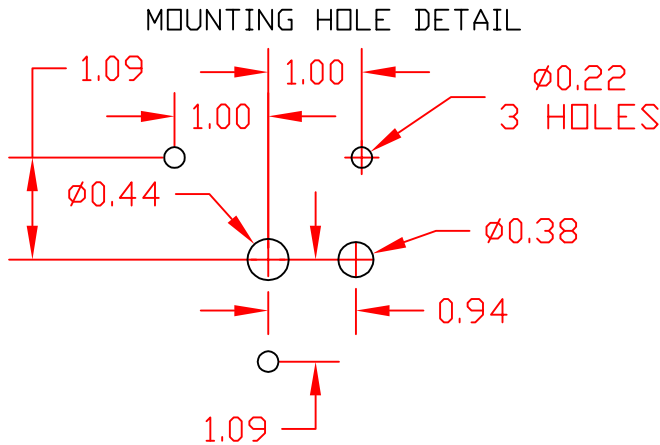
2200 VRMS

**INSULATION RESISTANCE:**

100 MEGOHMS INITIAL

**CONTACT RESISTANCE:**

10 MILLIOHMS MAX. INITIAL



DECK	CONTACTS		POSITION	
			TRIP	RESET
1	11	13		
	12	18	X	
	15	17		X
	16	14	X	X
2	21	23		
	22	28	X	
	25	27		X
3	26	24	X	X
	31	33		
	32	38	X	
4	35	37		X
	36	34	X	X
	41	43		
	42	48	X	
5	45	47		X
	46	44	X	X
	51	53		
	52	58	X	
6	55	57		X
	56	54	X	X
	61	63		
	62	68	X	
7	65	67		X
	66	64	X	X
	71	73		
	72	78	X	
8	75	77		X
	76	74	X	X
	81	83		
	82	88	X	
	85	87		X
	86	84	X	X

DESCRIPTION

## 7608D 125VDCCXA

REV. -

AN ISO 9001 COMPANY

308 COMPONENTS DRIVE  
SMITHFIELD, NC 27577 USA

CUSTOMER REFERENCE:: TERMINAL SCREW TIGHTENING TORQUE: : 8 IN-LBS.

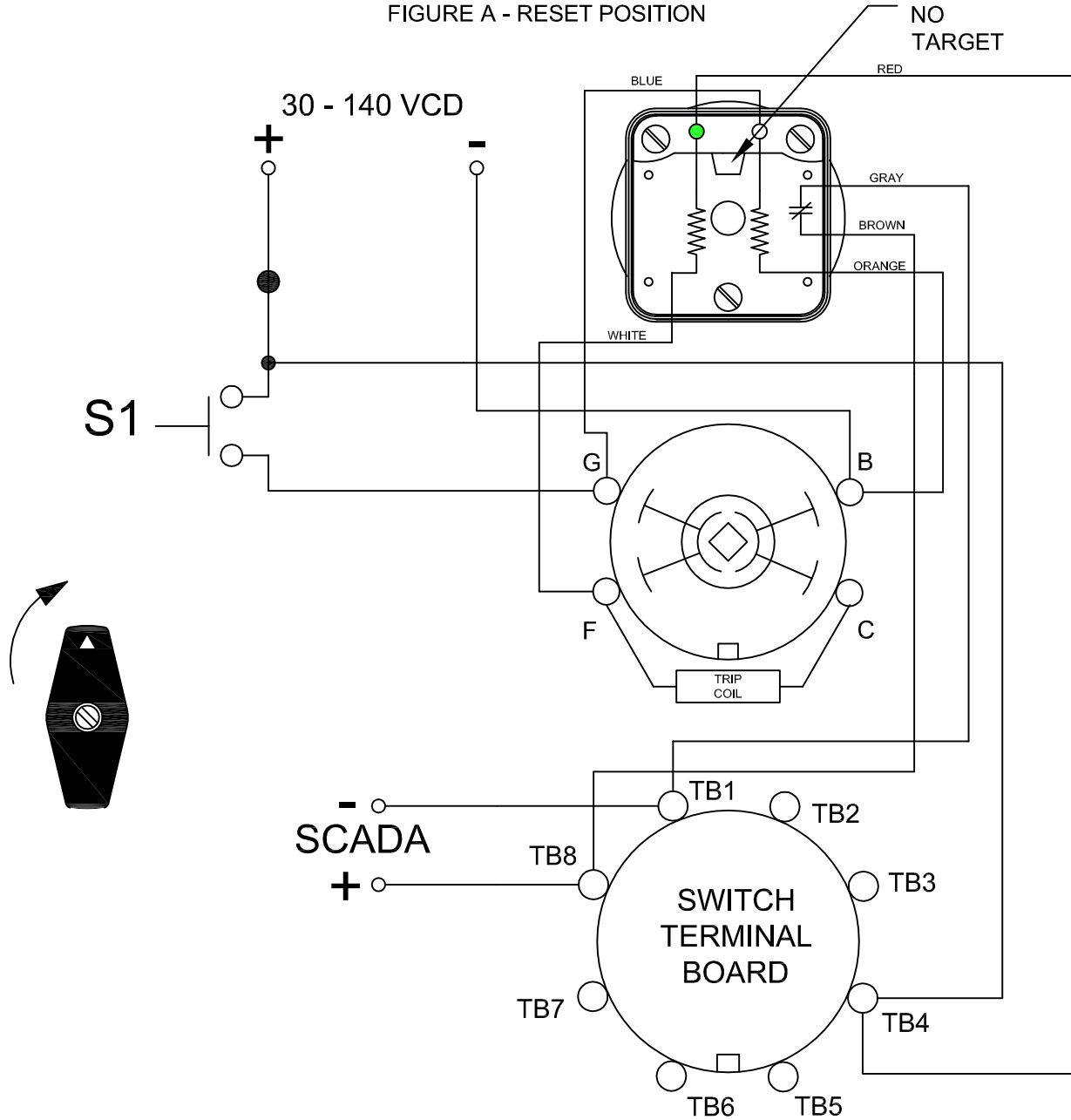
# 7608D 125VDCCXA

LOCK-OUT RELAYS (LOR)

GENERAL OPERATION:

THE HANDLE OF THE LOR MUST BE MANUALLY ROTATED CLOCKWISE TO PLACE THE UNIT IN THE "RESET" POSITION (SEE FIGURE A)

FIGURE A - RESET POSITION



DESCRIPTION

7608D 125VDCCXA

REV. -

**SHALLCO**  
AN ISO 9001 COMPANY

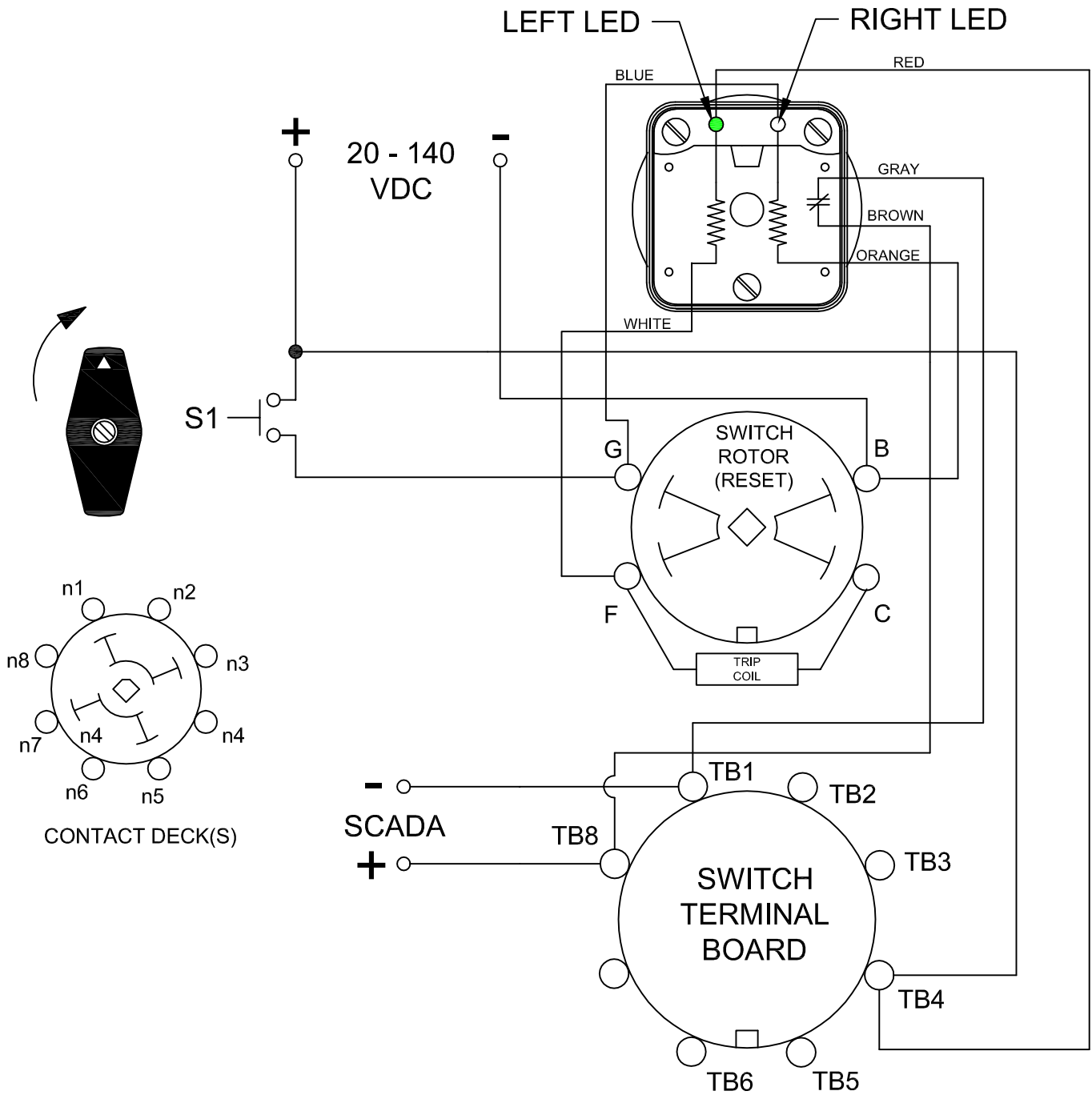
308 COMPONENTS DRIVE  
SMITHFIELD, NC 27577 USA

# 7608D 125VDCCXA

## LED INDICATION

CONDITION #1	
ROTOR	RESET (AS SHOWN)
SWITCH 1 (S1)	OPEN

RESULT	
LEFT LED	ON
RIGHT LED	OFF
SCADA CIRCUIT (TRIP COIL MONITOR)	OPEN



## DESCRIPTION

7608D 125VDCCXA

REV. -

**SHALCO**  
AN ISO 9001 COMPANY

308 COMPONENTS DRIVE  
SMITHFIELD, NC 27577 USA

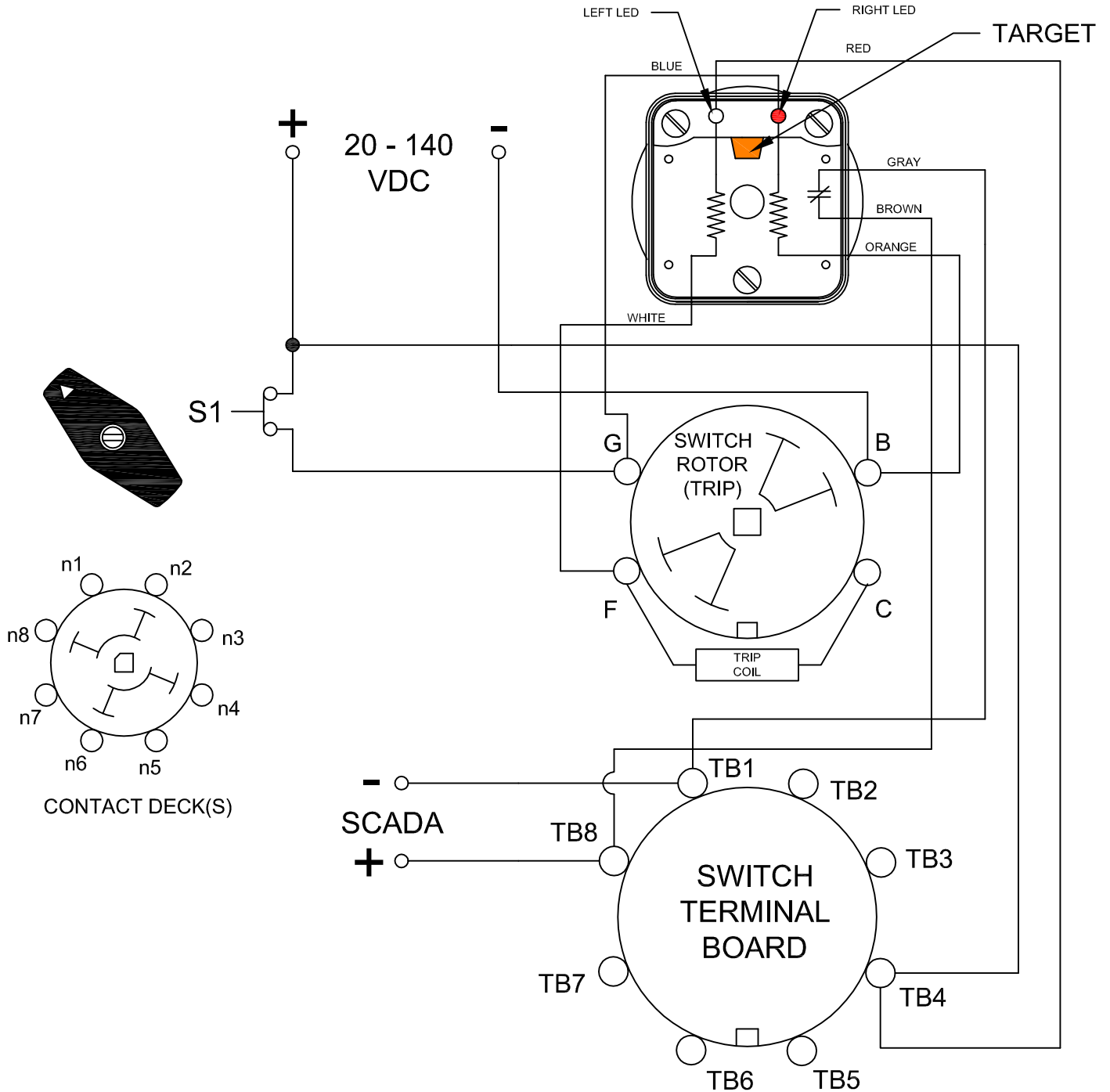
# 7608D 125VDCCXA

## LED INDICATION

CONDITION #2	
ROTOR	RESET (AS SHOWN)
SWITCH 1 (S1)	CLOSED

RESULT	
LEFT LED	OFF
RIGHT LED	ON
SCADA SWITCH	CLOSED

WHEN S1 CLOSSES, THE COIL CAUSES A MECHANICAL ROTATION OF THE RELAY RESULTING IN THE SWITCH ROTOR ADVANCE TO THE "TRIP" POSITION SHOWN



## DESCRIPTION

7608D 125VDCCXA

REV. -

**SHALCO**  
AN ISO 9001 COMPANY

308 COMPONENTS DRIVE  
SMITHFIELD, NC 27577 USA

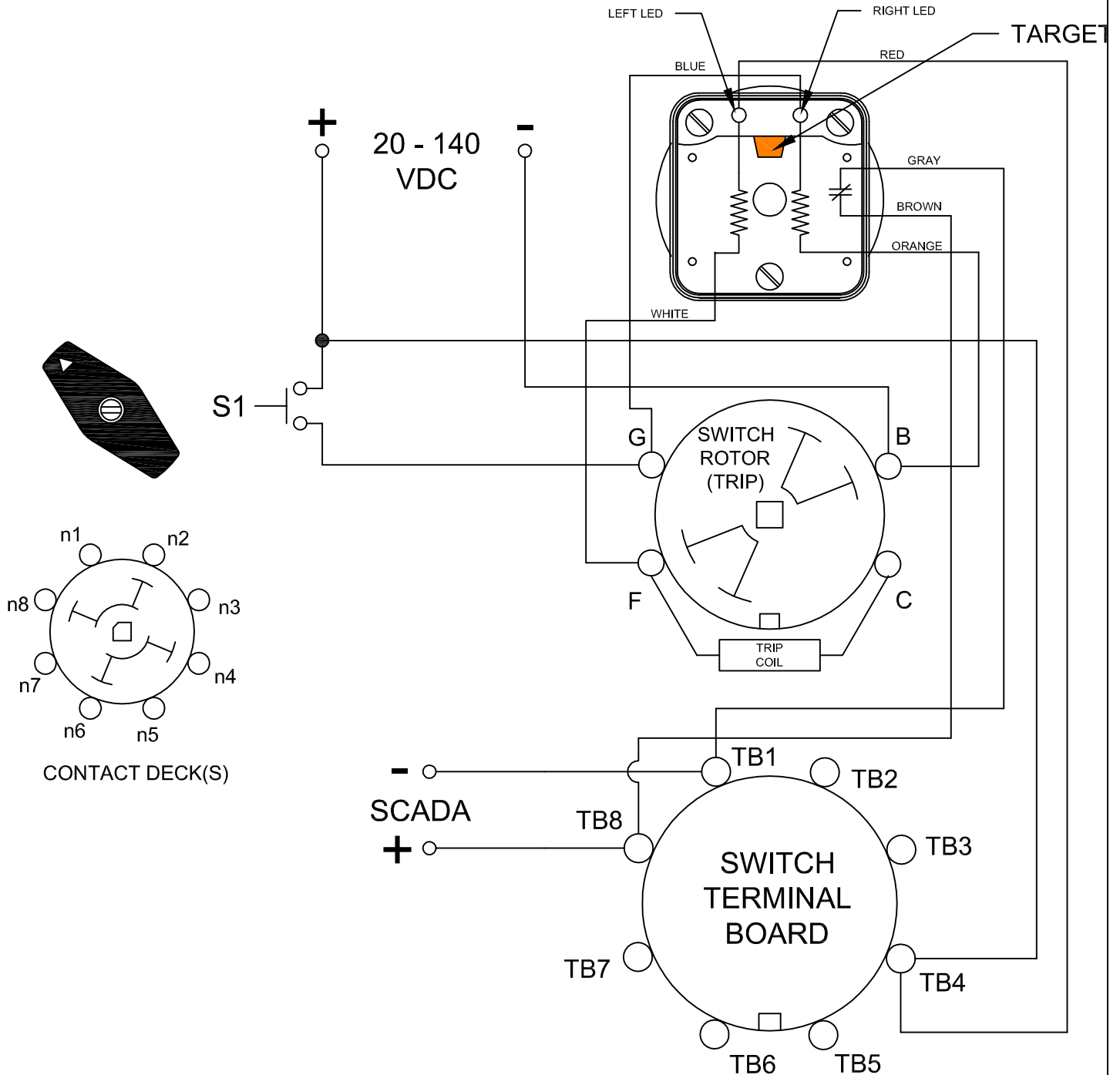
# 7608D 125VDCCXA

## LED INDICATION

CONDITION #2	
ROTOR	RESET (AS SHOWN)
SWITCH 1 (S1)	OPEN

RESULT	
LEFT LED	OFF
RIGHT LED	OFF
SCADA SWITCH	CLOSED

WHEN S1 OPENS, THE RIGHT LED WILL GO OFF. THE LEFT LED WILL REMAIN OFF UNTIL THE LOR IS MANUALLY ROTATED BACK TO THE "RESET" POSITION



## DESCRIPTION

7608D 125VDCCXA

REV. -



308 COMPONENTS DRIVE  
SMITHFIELD, NC 27577 USA