

SHALLCO SERIES 26
Part Number: 2638D



General:

Meets requirements for 1 - 25 ampere switching of resistive loads to .75 power factor at voltages to 600 V AC and 250 V DC resistive loads

Electrical:

* Ratings:

- 25A/120 VAC
- 15A/600 VAC
- 20A/600 VAC (RESISTIVE)
- 3A/125 VDC
- 1A/250 VDC



- * Current carrying capacity: 25 amperes
- * Dielectric Withstanding Voltage: 2200 Vrms
- * Contact Resistance: Initial, 10 milliohms max.
- * Insulation Resistance: 100 Megohms min., initial

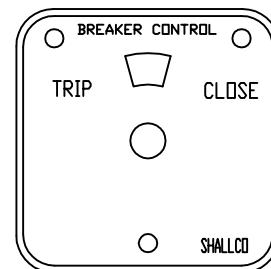
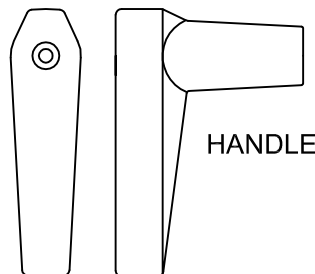
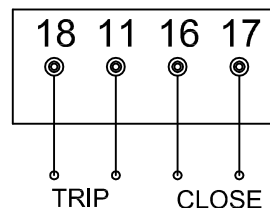
Mechanical:

- * Sections: 1
- * Positions: 2, Spring Return to Center (Off)
- * Indexing: 45°
- * Rotational Life: 65,000 operations

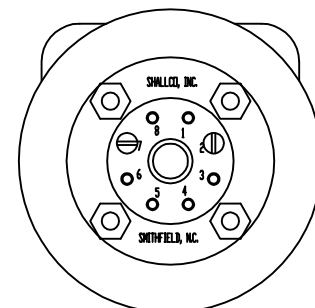
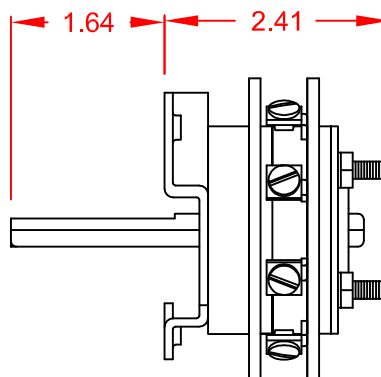
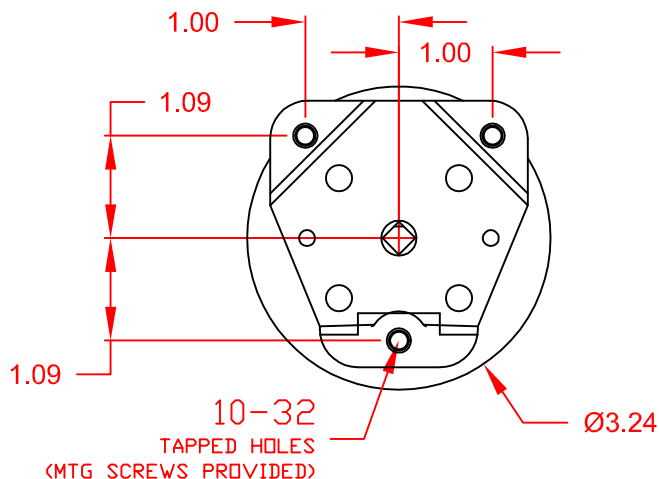
Materials and Finishes:

- * Rotors and Stators: Thermoset Plastic, UL 94V0
- * Rotor contacts: Phosphor bronze
- * Stator contacts: Silver plated copper, screw type
- * Terminal hardware: silver plated brass
- * Exterior Metal: Steel with zinc chromate finish
- * Knob: thermoset phenolic

	POSITION		
CONTACT	TRIP	NORMAL	CLOSE
11 - 18	X		
16 - 17			X



ESCUTCHEON PLATE



DESCRIPTION

2638D

REV C



308 COMPONENTS DRIVE
 SMITHFIELD, NC 27577 USA

TERMINAL SCREW TIGHTENING TORQUE: : 8 IN-LBS.