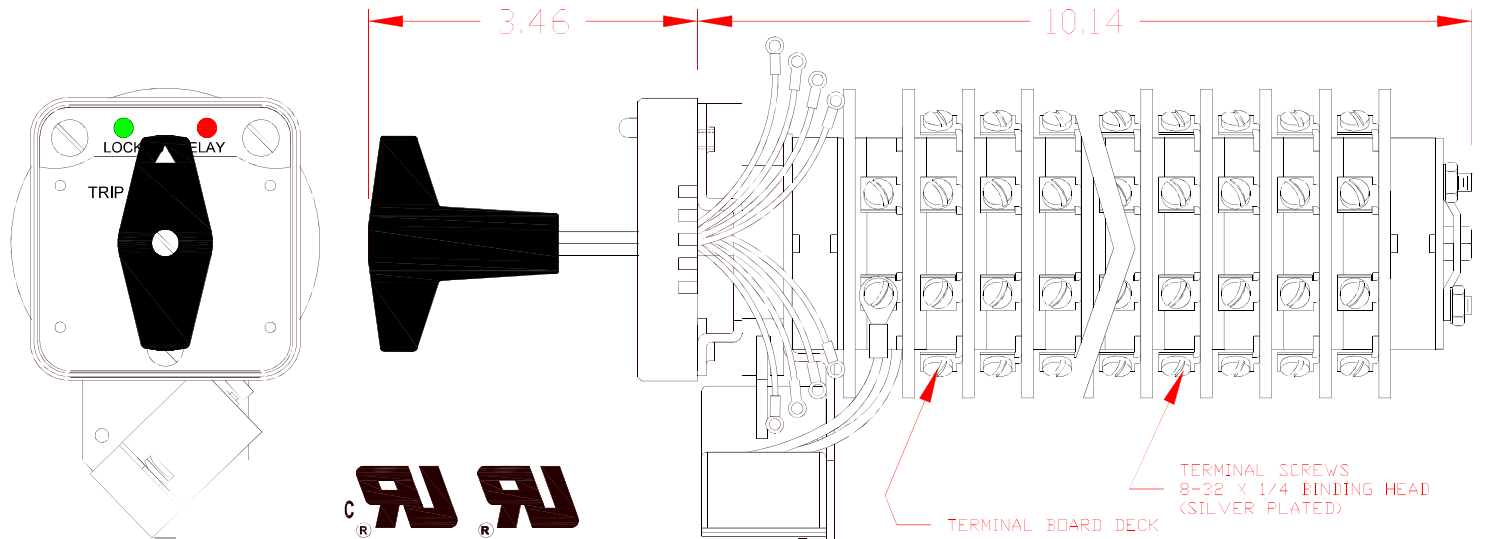


7610F125VDCAXC

REVISIONS			
LTR	DESCRIPTION	DATE	APP'D



SPECIFICATIONS:

NO. OF POSITIONS: 2, TRIP AND RESET

NO. OF SECTIONS: 10

CONTACTS: 2 NORMALLY OPEN
2 NORMALLY CLOSED
PER DECK

ACTION: 45° POSITIVE TRIP DETENT

STATIONARY CONTACTS : SILVER OVER COPPER

NAMEPLATE: AS SHOWN (PANEL OPERATING
VOLTAGE IS 37 - 140 VDC)

COIL SPECIFICATIONS:

OPERATING VOLTAGE: 250 VDC

THRESHOLD VOLTAGE: 33 VDCZ

OPERATING RANGE: 70 - 280 VDC

CURRENT AT RATED VOLTAGE: 2.4 AMPS

ELECTRICAL RATINGS:

25 A/120 VAC 3 A/ 125 VDC

15 A/240 VAC 1 A/ 250 VDC

6 A/600 VAC

OVERLOAD CURRENT

(50 OPERATIONS):

95 A/120 VAC

65 A/240 VAC

35 A/600 VAC

DIELECTRIC STRENGTH:

2200 VRMS

INSULATION RESISTANCE:

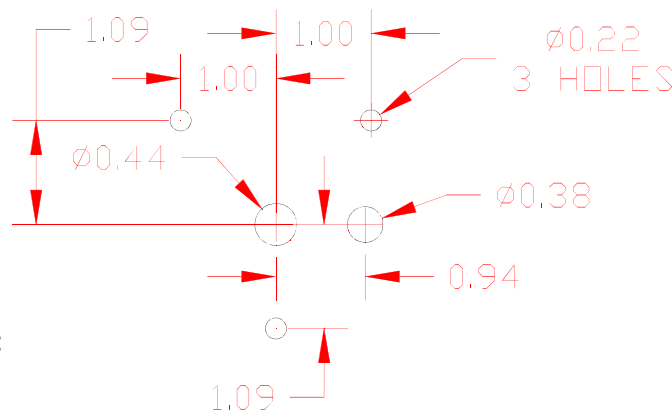
100 MEGOHMS INITIAL

CONTACT RESISTANCE:

10 MILLIOHMS MAX. INITIAL

DECK	CONTACTS		POSITION	
	TRIP	RESET	TRIP	RESET
1	11	13		
	12	18		
	15	17		
	16	14		
2	21	23		
	22	28		
	25	27		
3	26	24		
	31	33		
	32	38		
4	35	37		
	36	34		
	41	43		
	42	48		
5	45	47		
	46	44		
	51	53		
	52	58		
6	55	57		
	56	54		
	61	63		
	62	68		
7	65	67		
	66	64		
	71	73		
	72	78		
8	75	77		
	76	74		
	81	83		
	82	88		
9	85	87		
	86	84		
	91	93		
	92	98		
10	95	97		
	96	94		
	101	103		
	102	108		
	105	107		
	106	104		

MOUNTING HOLE DETAIL



DESCRIPTION

LOCK-OUT RELAY SPECIFICATION SHEET

PART NUMBER

7610F 125VDCAXC

SCALE .5X

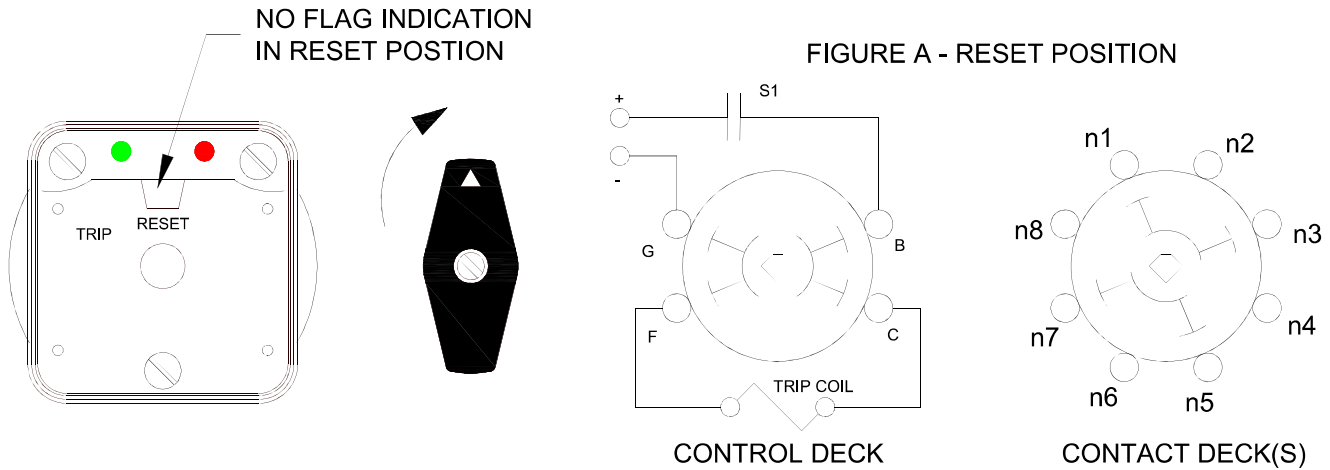


308 COMPONENTS DRIVE
SMITHFIELD, NC 27577 USA

LOCK-OUT RELAYS (LOR)

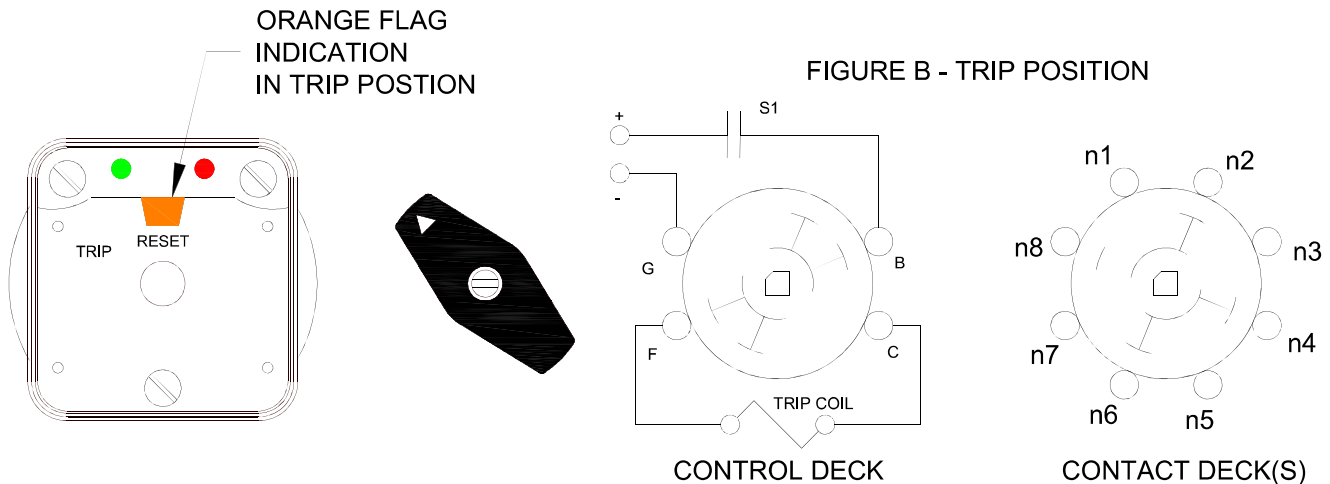
GENERAL OPERATION:

THE HANDLE OF THE LOR MUST BE MANUALLY ROTATED CLOCKWISE TO PLACE THE UNIT IN THE "RESET" POSITION (SEE FIGURE A)



WHEN A PREDETERMINED CONDITION EXISTS, A SIGNAL WILL BE SENT TO S1 WHICH WILL ACTIVATE THE COIL AND CAUSE THE LOR TO "TRIP". THE "B" AND "G" CONTACTS ON THE CONTROL DECK PROVIDE THE CONNECTION TO THE CONTROL CIRCUIT THROUGH S1 WHICH CAN BE A CONTACT OF ANY TYPE I.E. SWITCH, RELAY.... THE LOR CONTACTS IN FIGURE "B" ARE IN THE "TRIPPED" POSITION.

THE LOR WILL REMAIN IN THE "TRIPPED" POSITION UNTIL MANUALLY RESET.



DESCRIPTION

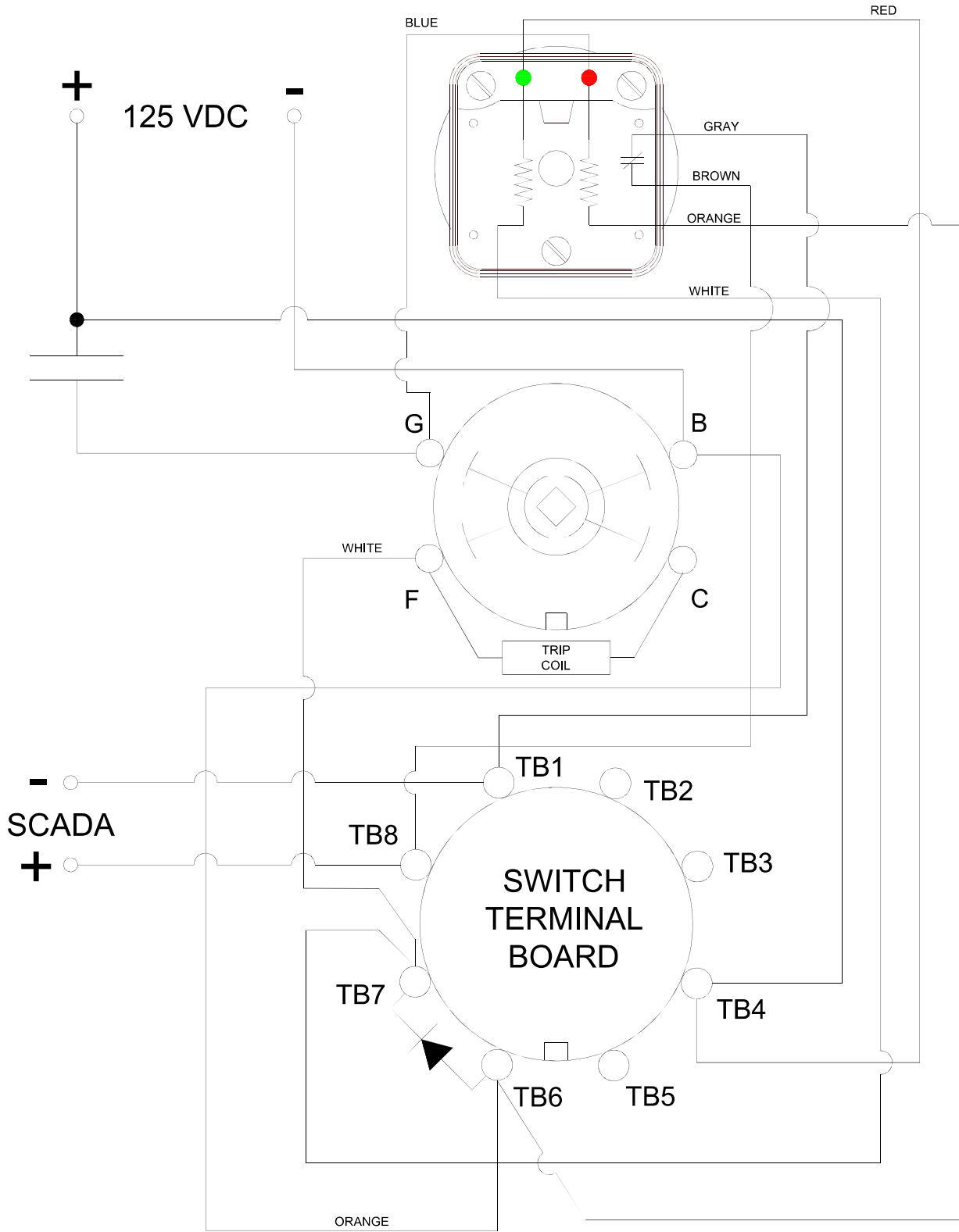
LOCK-OUT RELAY SPECIFICATION SHEET

PART NUMBER

7610F 125VDCAXC

SCALE .5X

REVISIONS			
LTR	DESCRIPTION	DATE	APP'D



DESCRIPTION
 LOCK-OUT RELAY SPECIFICATION SHEET

PART NUMBER
7610F 125VDCAXC

SCALE .5X



308 COMPONENTS DRIVE
 SMITHFIELD, NC 27577 USA