

SPECIFICATIONS:

NO. OF SECTIONS: 10
CONTACTS (PER DECK):

NO. OF POSITIONS: 2, TRIP AND RESET
2 NORMALLY OPEN/ 2NORMALLY CLOSED

ACTION: 45° POSITIVE TRIP DETENT

STATIONARY CONTACTS : SILVER OVER COPPER
NAMEPLATE: AS SHOWN

ELECTRICAL RATINGS:

25 A/120 VAC
3A/125 VDC
15 A/240 VAC
1A/250 VDC
6A/600 VAC



COIL SPECIFICATIONS:

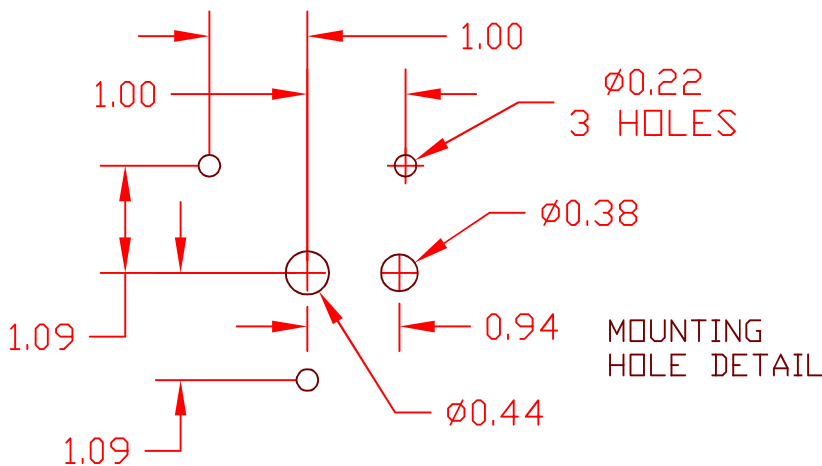
OPERATING VOLTAGE: 125 VDC / 120 VAC
THRESHOLD VOLTAGE: 16 VDC / 20 VAC
OPERATING RANGE: 30 - 140 VDC / 30 - 140 VAC
CURRENT AT RATED VOLTAGE: 4.6 / 4.4 AMPS 6 6

OVERLOAD CURRENT:

(50 OPERATIONS):
95 A/120 VAC
65 A/240 VAC
35 A/600 VAC

DIELECTRIC STRENGTH: 2200 VRMS
INSULATION RESISTANCE: 100 MEGOHMS INITIAL
CONTACT RESISTANCE: 10 MILLIOHMS MAX. INITIAL

DECK	CONTACTS	POSITION	
		TRIP	RESET
1	11 — — — — 13	X	X
	12 — — — — 18	X	X
	15 — — — — 17	X	X
	16 — — — — 14	X	X
2	21 — — — — 23	X	X
	22 — — — — 28	X	X
	25 — — — — 27	X	X
3	26 — — — — 24	X	X
	31 — — — — 33	X	X
	32 — — — — 38	X	X
	35 — — — — 37	X	X
4	36 — — — — 34	X	X
	41 — — — — 43	X	X
	42 — — — — 48	X	X
5	45 — — — — 47	X	X
	46 — — — — 44	X	X
	51 — — — — 53	X	X
	52 — — — — 58	X	X
6	55 — — — — 57	X	X
	56 — — — — 54	X	X
	61 — — — — 63	X	X
	62 — — — — 68	X	X
7	65 — — — — 67	X	X
	66 — — — — 64	X	X
	71 — — — — 73	X	X
	72 — — — — 78	X	X
8	75 — — — — 77	X	X
	76 — — — — 74	X	X
	81 — — — — 83	X	X
	82 — — — — 88	X	X
9	85 — — — — 87	X	X
	86 — — — — 84	X	X
	91 — — — — 93	X	X
	92 — — — — 98	X	X
10	95 — — — — 97	X	X
	96 — — — — 94	X	X
	101 — — — — 103	X	X
	102 — — — — 108	X	X
	105 — — — — 107	X	X
	106 — — — — 104	X	X



PART NUMBER

7610D 125VDCAXC

REV. B

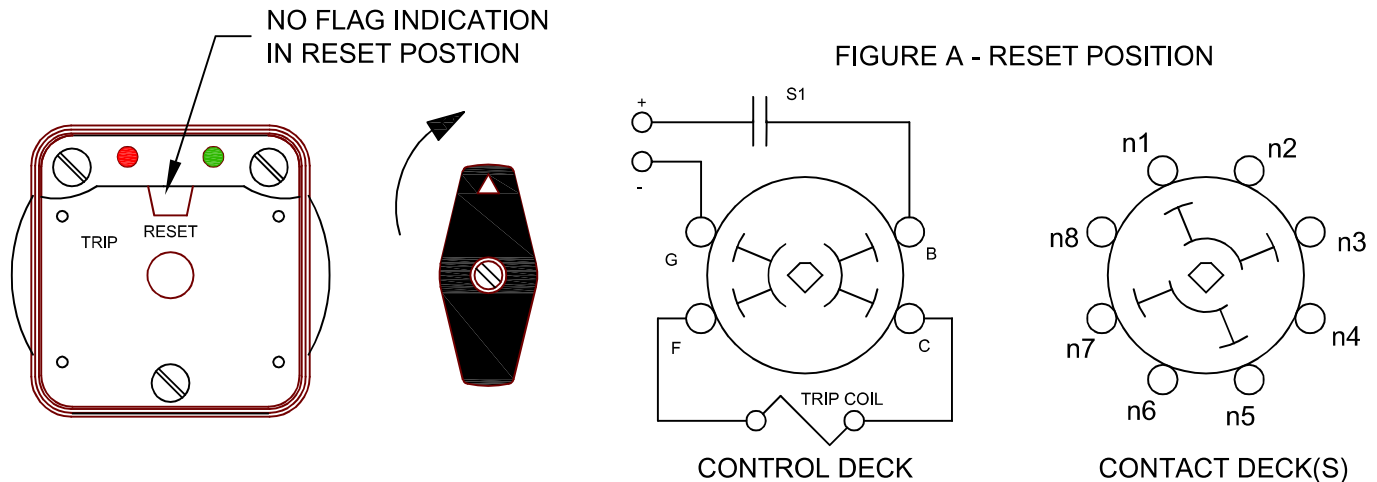


308 COMPONENTS DRIVE
SMITHFIELD, NC 27577 USA

LOCK-OUT RELAYS (LOR)

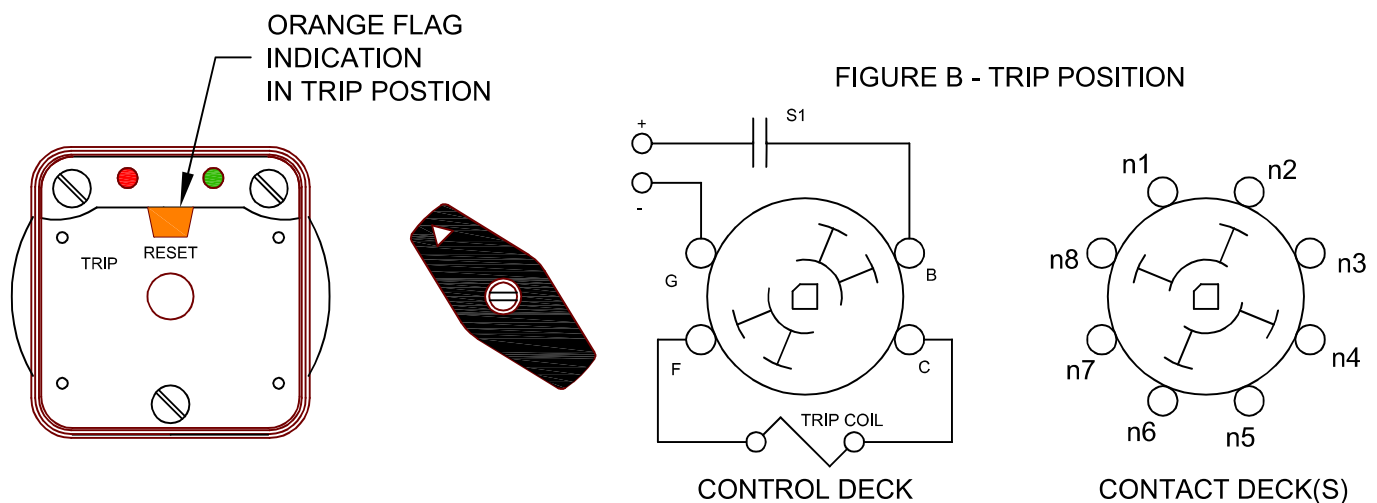
GENERAL OPERATION:

THE HANDLE OF THE LOR MUST BE MANUALLY ROTATED CLOCKWISE TO PLACE THE UNIT IN THE "RESET" POSITION (SEE FIGURE A)



WHEN A PREDETERMINED CONDITION EXISTS, A SIGNAL WILL BE SENT TO S1 WHICH WILL ACTIVATE THE COIL AND CAUSE THE LOR TO "TRIP". THE "B" AND "G" CONTACTS ON THE CONTROL DECK PROVIDE THE CONNECTION TO THE CONTROL CIRCUIT THROUGH S1 WHICH CAN BE A CONTACT OF ANY TYPE I.E. SWITCH, RELAY.... THE LOR CONTACTS IN FIGURE "B" ARE IN THE "TRIPPED" POSITION.

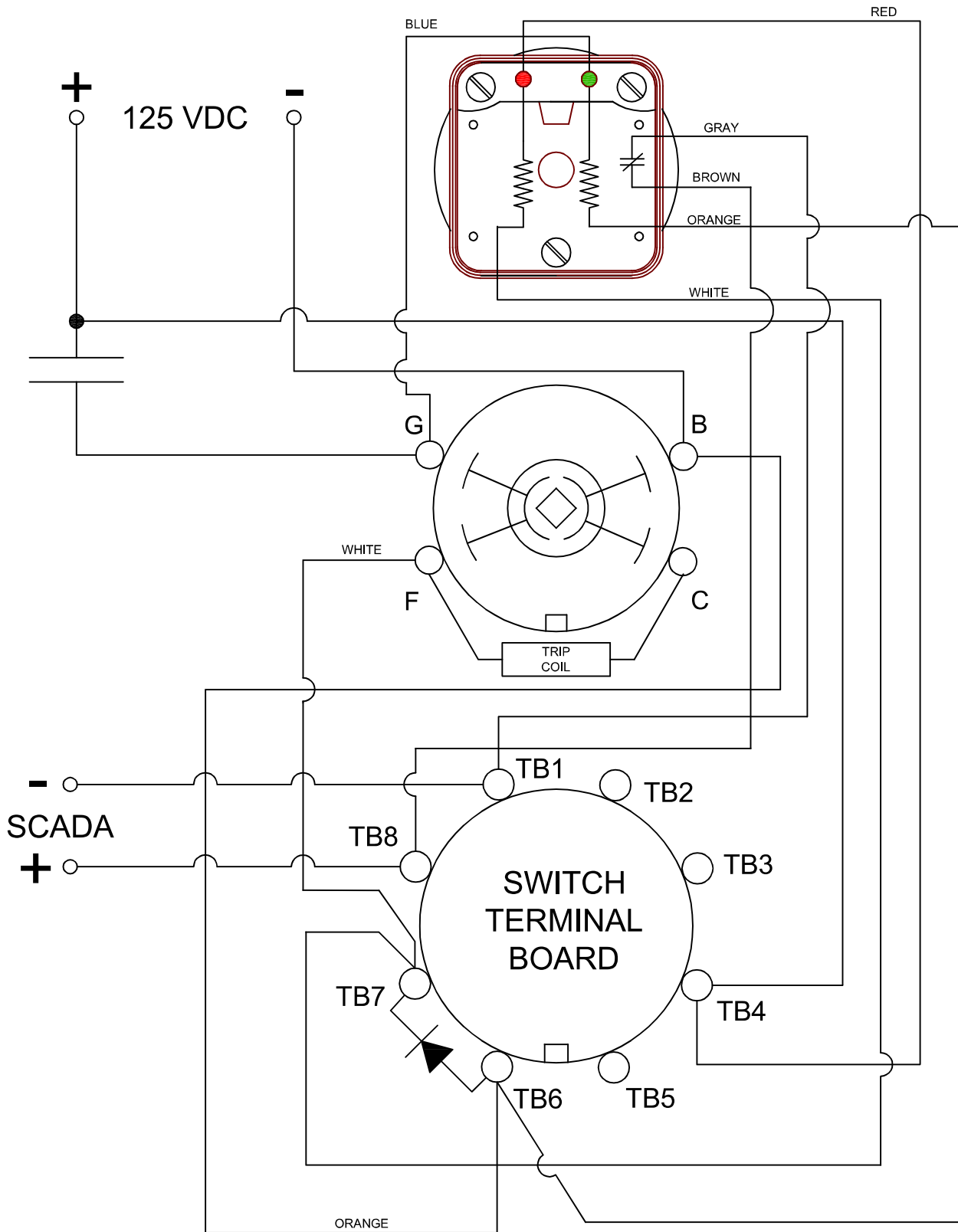
THE LOR WILL REMAIN IN THE "TRIPPED" POSITION UNTIL MANUALLY RESET.



PART NUMBER

7610D 125VDCAXC

REV. B



PART NUMBER

7610D 125VDCAXC

REV. B