

SPECIFICATIONS:

NO. OF POSITIONS: 2, TRIP AND RESET

NO. OF SECTIONS: 8

CONTACTS: 2 NORMALLY OPEN
2 NORMALLY CLOSED
PER DECK

ACTION: 45° POSITIVE TRIP DETENT

STATIONARY CONTACTS : SILVER OVER COPPER

NAMEPLATE: AS SHOWN

COIL SPECIFICATIONS:

OPERATING VOLTAGE: 125 VDC / 120 VAC

THRESHOLD VOLTAGE: 16 VDC / 20 VAC

OPERATING RANGE: 30 - 140 VDC / 30 - 140 VAC

CURRENT AT RATED VOLTAGE: 4.6 / 4.4 AMPS

ELECTRICAL RATINGS:

25 A/120 VAC 3 A/ 125 VDC

15 A/240 VAC 1 A/ 250 VDC

6 A/600 VAC

OVERLOAD CURRENT

(50 OPERATIONS):

95 A/120 VAC

65 A/240 VAC

35 A/600 VAC

DIELECTRIC STRENGTH:

2200 VRMS

INSULATION RESISTANCE:

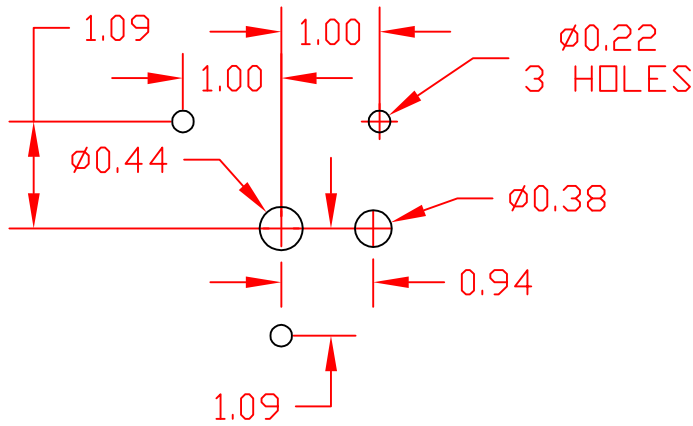
100 MEGOHMS INITIAL

CONTACT RESISTANCE:

10 MILLIOHMS MAX. INITIAL

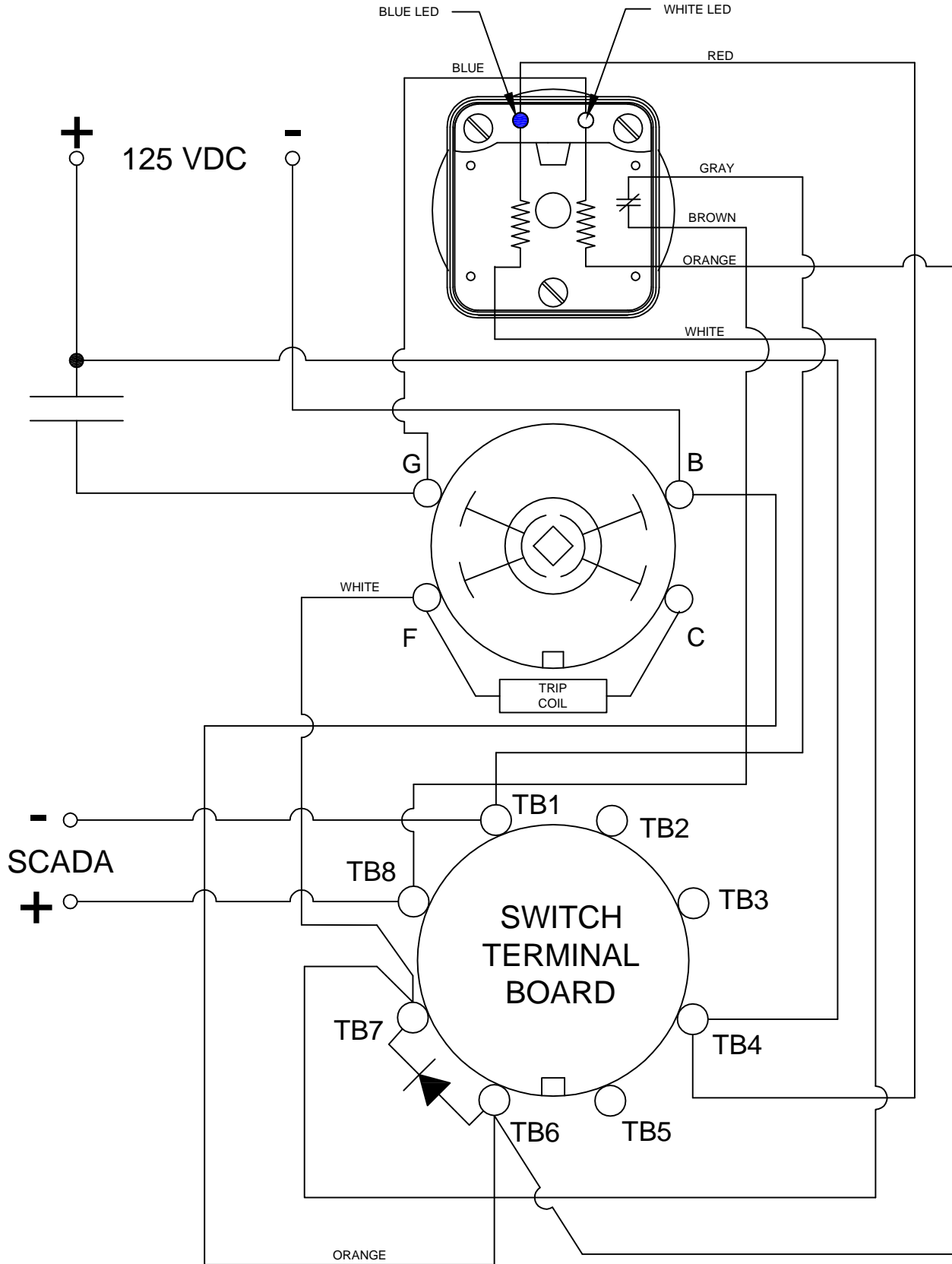
DECK	CONTACTS		POSITION	
	TRIP	RESET	TRIP	RESET
1	11	13		X
	12	18	X	
	15	17		X
	16	14	X	
2	21	23		X
	22	28	X	
	25	27		X
3	26	24	X	
	31	33		X
	32	38	X	
	35	37		X
4	36	34	X	
	41	43		X
	42	48	X	
	45	47		X
5	46	44	X	
	51	53		X
	52	58	X	
	55	57		X
6	56	54	X	
	61	63		X
	62	68	X	
	65	67		X
7	66	64	X	
	71	73		X
	72	78	X	
	75	77		X
8	76	74	X	
	81	83		X
	82	88	X	
	85	87		X
	86	84	X	

MOUNTING HOLE DETAIL



DESCRIPTION

7608D 125VDC EXD



DESCRIPTION

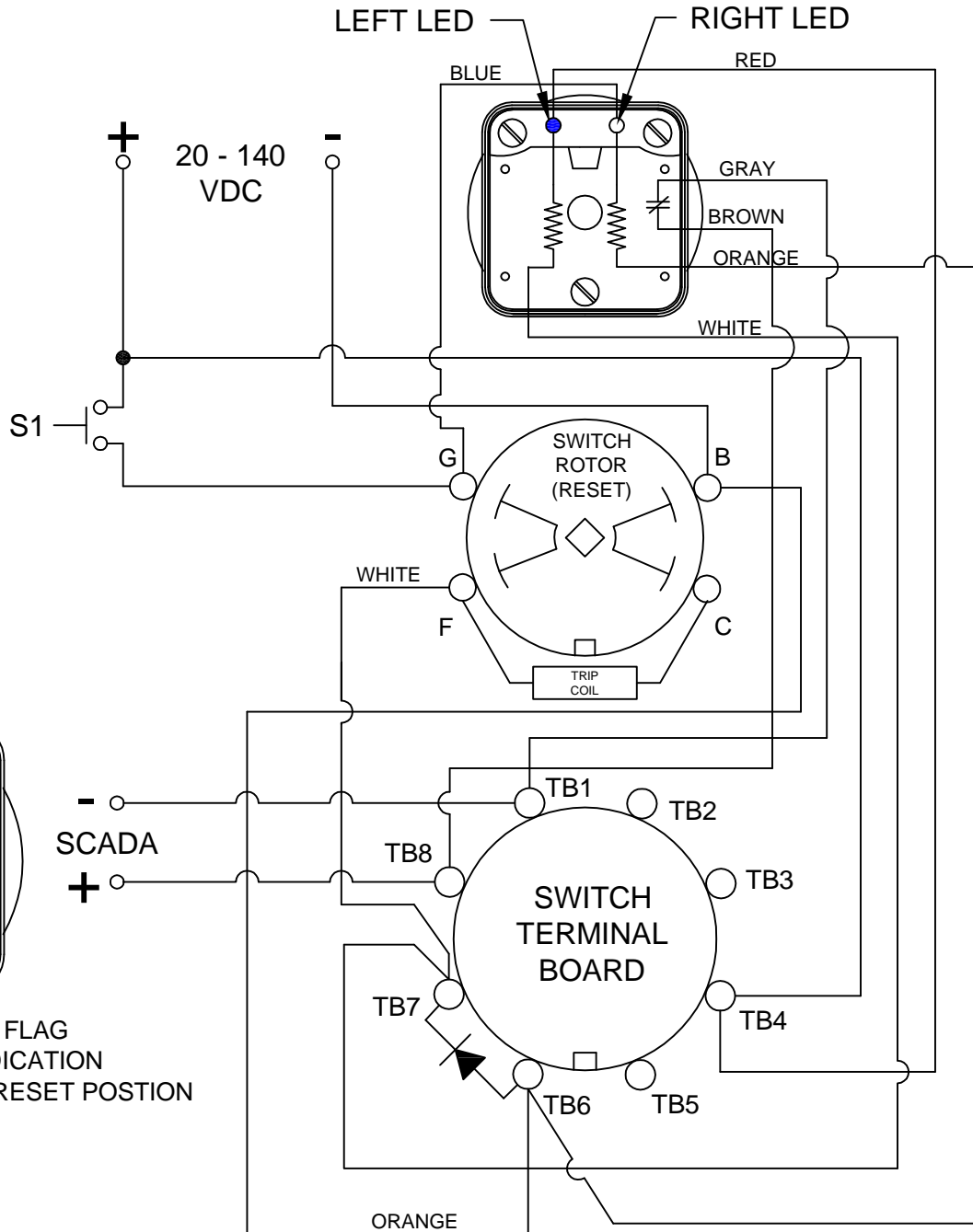
7608D 125VDCEXD

7608D 125VDC EXD

LED INDICATION

CONDITION #1	
ROTOR	RESET (AS SHOWN)
SWITCH 1 (S1)	OPEN

RESULT	
LEFT LED	ON
RIGHT LED	OFF
SCADA CIRCUIT (TRIP COIL MONITOR)	OPEN



DESCRIPTION

7608D 125VDC EXD



308 COMPONENTS DRIVE
SMITHFIELD, NC 27577 USA

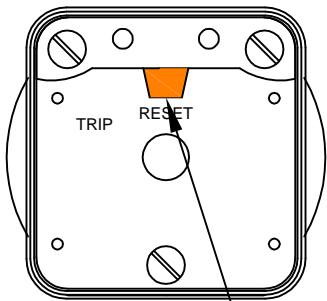
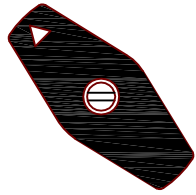
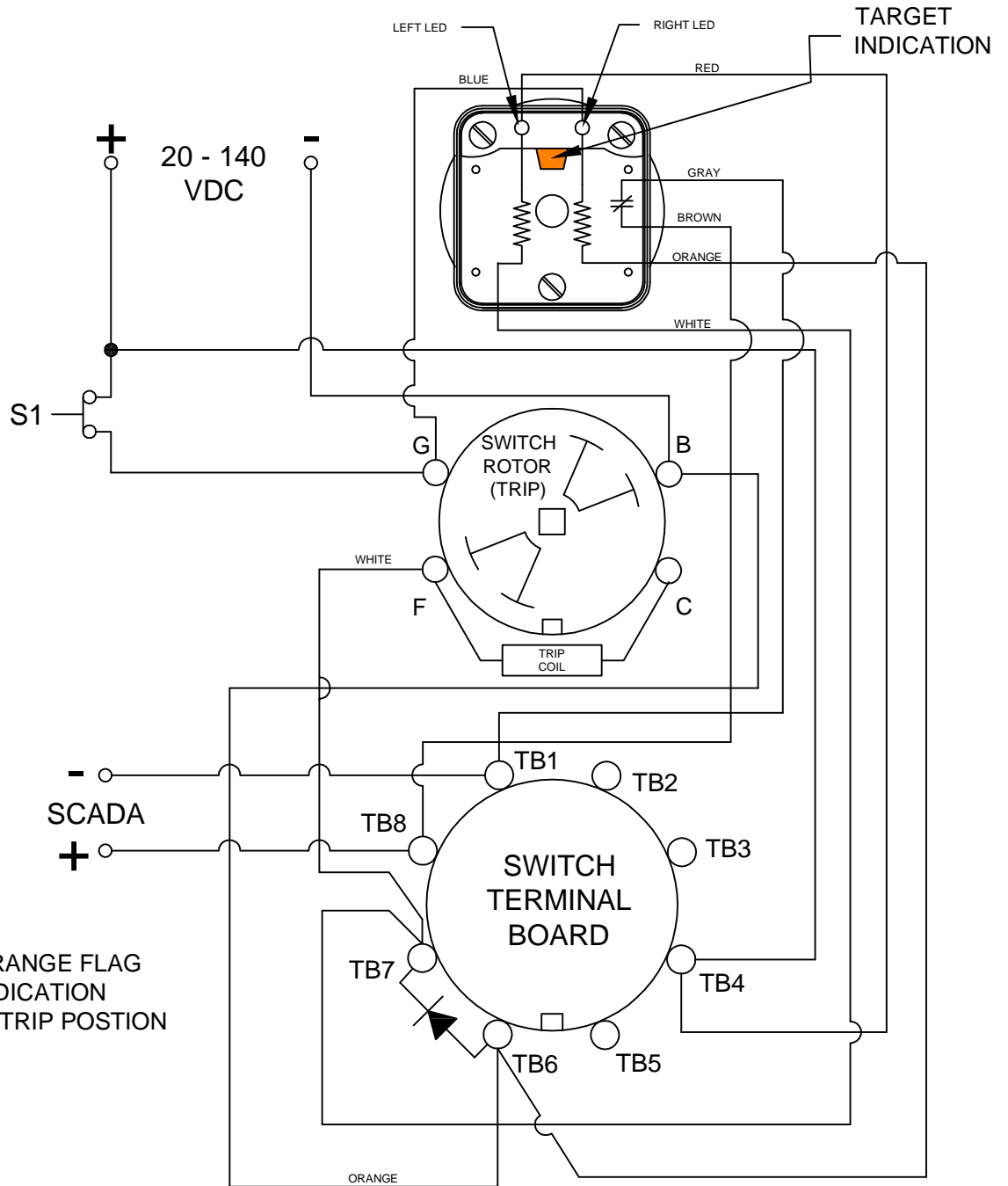
7608D 125VDCEXD

LED INDICATION

CONDITION #2	
ROTOR	RESET (AS SHOWN)
SWITCH 1 (S1)	CLOSED

RESULT	
LEFT LED	OFF
RIGHT LED	ON
SCADA SWITCH	CLOSED

WHEN S1 CLOSSES, THE COIL CAUSES A MECHANICAL ROTATION OF THE RELAY RESULTING IN THE SWITCH ROTOR ADVANCE TO THE "TRIP" POSITION SHOWN



ORANGE FLAG INDICATION IN TRIP POSITION

DESCRIPTION

7608D 125VDCEXD



308 COMPONENTS DRIVE
SMITHFIELD, NC 27577 USA

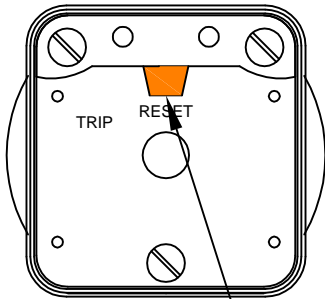
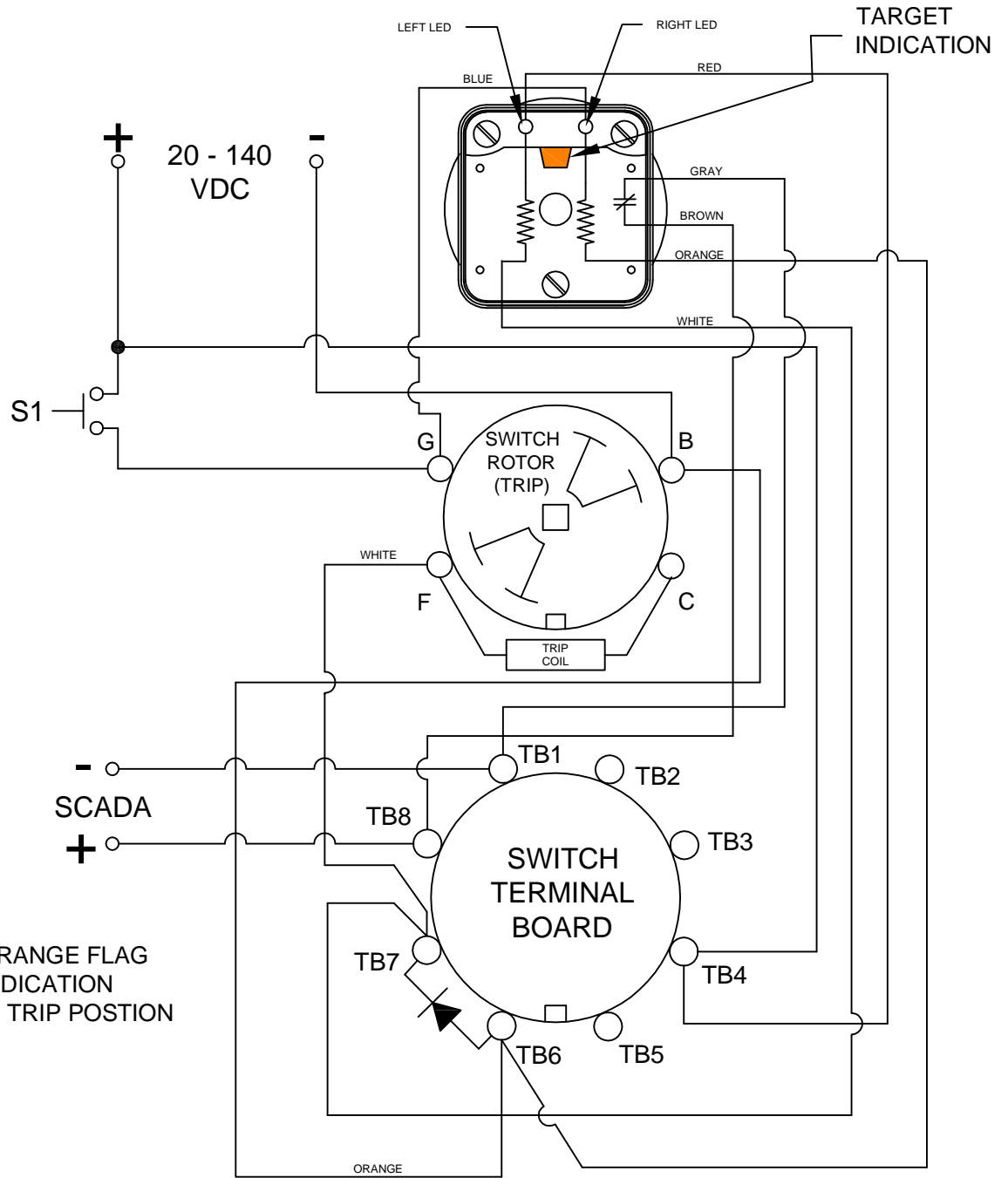
7608D 125VDCEXD

LED INDICATION

CONDITION #2	
ROTOR	RESET (AS SHOWN)
SWITCH 1 (S1)	OPEN

RESULT	
LEFT LED	OFF
RIGHT LED	OFF
SCADA SWITCH	CLOSED

WHEN S1 CLOSSES, THE COIL CAUSES A MECHANICAL ROTATION OF THE RELAY RESULTING IN THE SWITCH ROTOR ADVANCE TO THE "TRIP" POSITION SHOWN



ORANGE FLAG INDICATION IN TRIP POSITION

DESCRIPTION

7608D 125VDCEXD



308 COMPONENTS DRIVE
SMITHFIELD, NC 27577 USA