

SHALLCO SERIES 26
Part Number: 26504B-2



General:

Meets requirements for 1 - 25 ampere switching of resistive loads to .75 power factor at voltages to 600 V AC and 250 VDC resistive loads

Electrical:

- * Ratings: 25A/120 VAC
- 15A/600 VAC
- 20A/600 VAC (RESISTIVE)
- 3A/125 VDC
- 1A/250 VDC

- * Current carrying capacity: 25 amperes
- * Dielectric Withstanding Voltage: 2200 Vrms
- * Contact Resistance: Initial, 10 milliohms max.
- * Insulation Resistance: 100 Megohms min., initial

Mechanical:

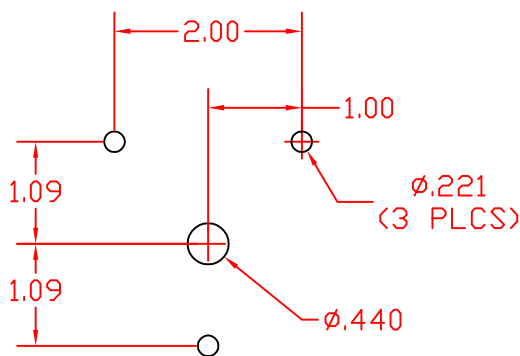
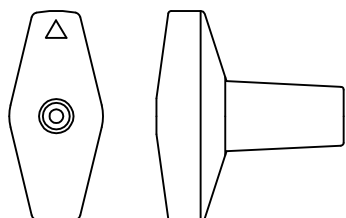
- * Sections:4
- Positions:: 2
- * Rotational Life: 65,000 operations

Materials and Finishes:

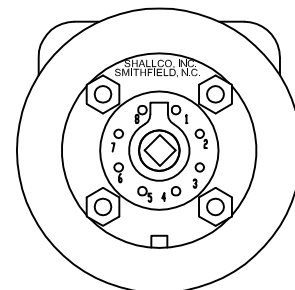
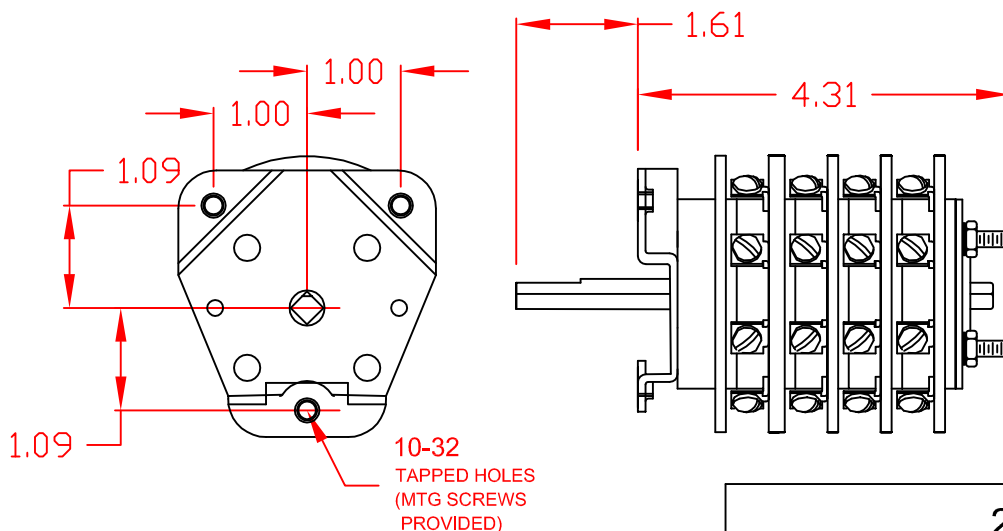
- * Rotors and Stators: Thermoset Plastic, UL 94VO
- * Rotor contacts: Phosphor bronze
- * Stator contacts: Silver plated copper, screw type
- * Terminal hardware: silver plated brass
- * Exterior Metal: Steel with zinc chromate finish
- * Knob: thermoset phenolic



| DECK | CONTACTS | POS. | |
|------|----------|------|---|
| | | 1 | 2 |
| 1 | 11-13 | X | |
| | 12-14 | | X |
| | 15-17 | X | |
| | 16-18 | | X |
| 2 | 21-23 | X | |
| | 22-24 | | X |
| | 25-27 | X | |
| | 26-28 | | X |
| 3 | 31-33 | X | |
| | 32-34 | | X |
| | 35-37 | X | |
| | 36-38 | | X |
| 4 | 41-43 | X | |
| | 42-44 | | X |
| | 45-47 | X | |
| | 46-48 | | X |



MOUNTING HOLE DETAIL



26504B-2



308 COMPONENTS DRIVE
 SMITHFIELD, NC 27577 USA