

SHALLCO SERIES 26
Part Number: 26304C



General:

Meets requirements for 1 - 25 ampere switching of resistive loads to .75 power factor at voltages to 600 VAC and 250 VDC resistive loads

Electrical:

RATINGS:

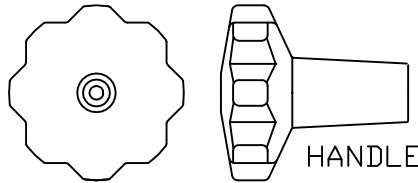
- 25A/120 VAC
- 15A/600 VAC
- 20A/600 VAC (RES)
- 3A/125 VDC
- 1A/250 VDC



- * Current carrying capacity: 25 amperes
- * Dielectric Withstanding Voltage: 2200 Vrms
- * Contact Resistance: Initial, 10 milliohms max.
- * Insulation Resistance: 100 Megohms min., initial

Mechanical:

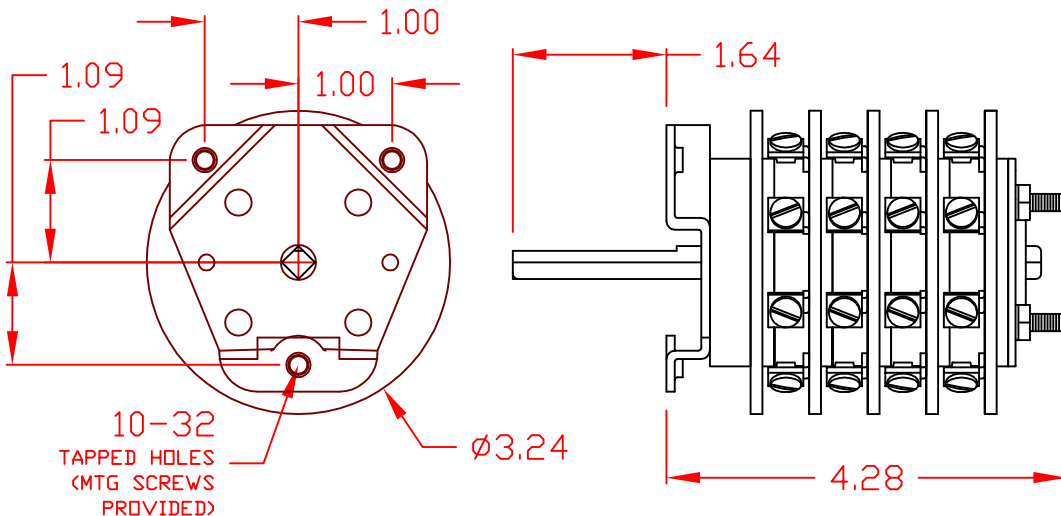
- * Sections: 4
- * Positions: 8, Adjustable
- * Indexing: 45°
- * Rotational Life: 65,000 operations



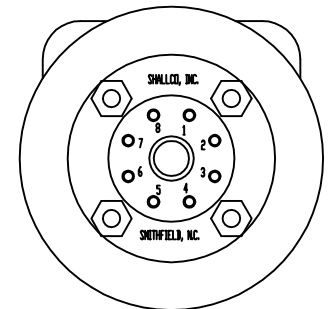
Materials and Finishes:

- * Rotors and Stators: Thermoset Plastic, UL 94VO
- * Rotor contacts: Phosphor bronze
- * Stator contacts: Silver plated copper, screw type
- * Terminal hardware: silver plated brass
- * Exterior Metal: Steel with zinc chromate finish
- * Knob: thermoset phenolic

DECK	CONTACTS	POSITION							
		1	2	3	4	5	6	7	8
1	11								
	12	X							
	13		X						
	14			X					
	15				X				
	16					X			
	17						X		
2	21								
	22	X							
	23		X						
	24			X					
	25				X				
	26					X			
	27						X		
3	31								
	32	X							
	33		X						
	34			X					
	35				X				
	36					X			
	37						X		
4	41								
	42	X							
	43		X						
	44			X					
	45				X				
	46					X			
	47						X		
48							X		



CONTACT TABLE



TERMINAL SCREW TIGHTENING TORQUE: 8 IN.-LBS.