

SHALLCO SERIES 26
Part Number: 26302C

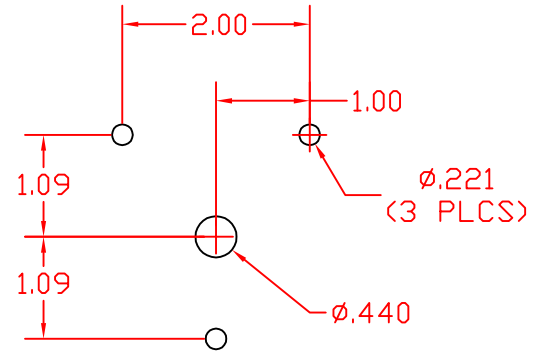


General:

Meets requirements for 1 - 25 ampere switching of resistive loads to .75 power factor at voltages to 600 V AC and 250 VDC resistive loads

Electrical:

- * Ratings: 25A/120 VAC
- 15A/600 VAC
- 20A/600 VAC (RESISTIVE)
- 3A/125 VDC
- 1A/250 VDC
- * Current carrying capacity: 25 amperes
- * Dielectric Withstanding Voltage: 2200 Vrms
- * Contact Resistance: Initial, 10 milliohms max.
- * Insulation Resistance: 100 Megohms min., initial



MOUNTING HOLE DETAIL

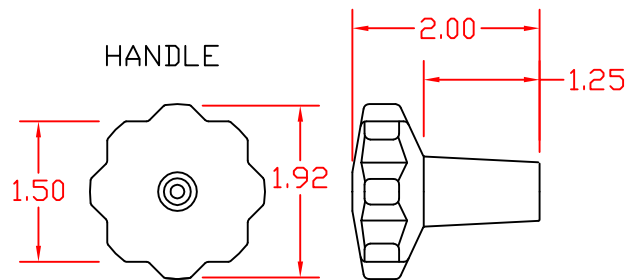
Mechanical:

- * Sections: 2
- * Positions: 8 (Off + 7 "On")
- * Indexing: 45°
- * Rotational Life: 65,000 operations

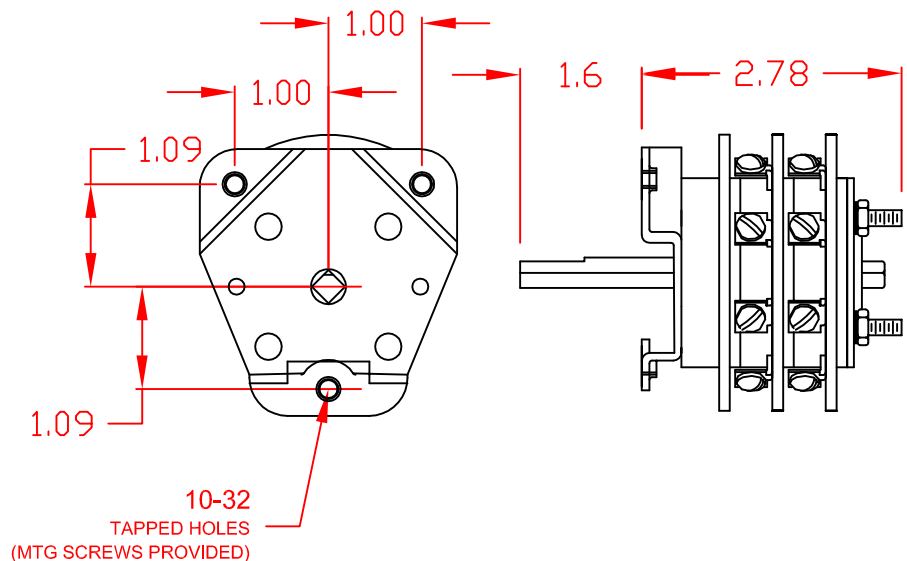


Materials and Finishes:

- * Rotors and Stators: Thermoset Plastic, UL 94VO
- * Rotor contacts: Phosphor bronze
- * Stator contacts: Silver plated copper, screw type
- * Terminal hardware: silver plated brass
- * Exterior Metal: Steel with zinc chromate finish
- * Knob: thermoset phenolic



DECK	CONTACTS	POSITIONS							
		OFF	1	2	3	4	5	6	7
1	110								
	I-O12		X						
	I-O13			X					
	I-O14				X				
	I-O15					X			
	I-O16						X		
	I-O17							X	
I-O18								X	
2	210								
	I-O22		X						
	I-O23			X					
	I-O24				X				
	I-O25					X			
	I-O26						X		
	I-O27							X	
I-O28								X	



26302C



308 COMPONENTS DRIVE
 SMITHFIELD, NC 27577 USA