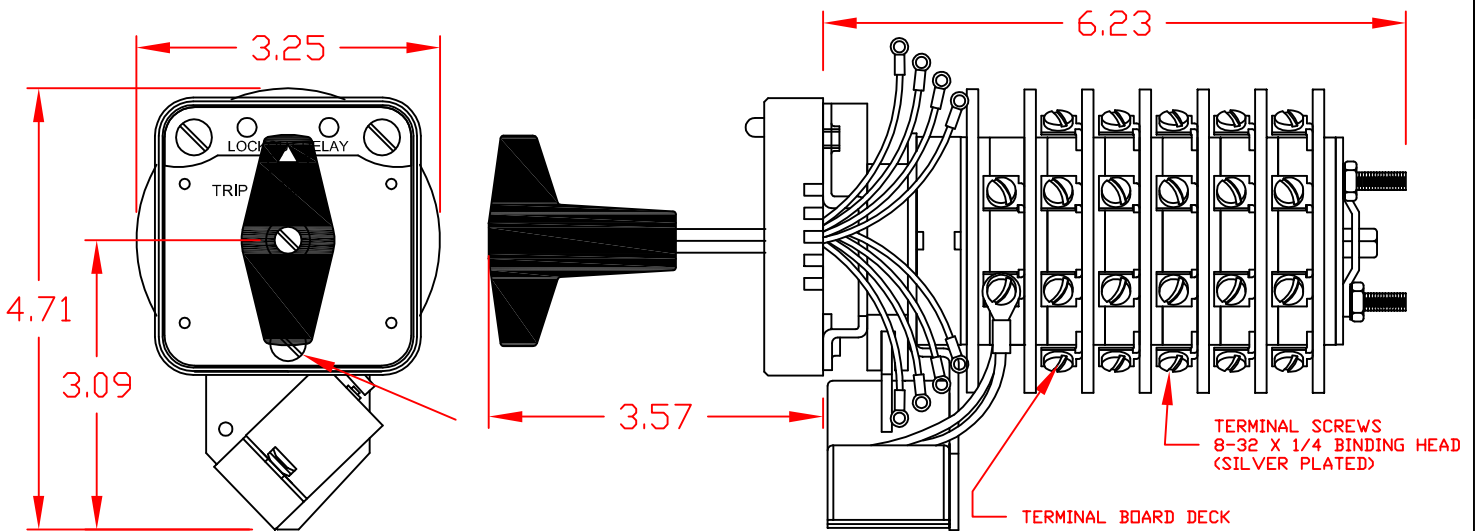


7604C 48VDCAXC



SPECIFICATIONS:

NO. OF POSITIONS: 2, TRIP AND RESET

NO. OF SECTIONS: 4

CONTACTS: 2 NORMALLY OPEN
2 NORMALLY CLOSED
PER DECK

ACTION: 45° POSITIVE TRIP DETENT

STATIONARY CONTACTS : SILVER OVER COPPER

NAMEPLATE: AS SHOWN

COIL SPECIFICATIONS:

OPERATING VOLTAGE: 48 VDC
THRESHOLD VOLTAGE: 12 VDC
OPERATING RANGE: 24 - 70 VDC
CURRENT AT RATED VOLTAGE: 3.7 AMPS



ELECTRICAL RATINGS:

25 A/120 VAC 3 A/ 125 VDC
15 A/600 VAC 1 A/ 250 VDC
20 A/600 VAC (RESISTIVE)

OVERLOAD CURRENT (50 OPERATIONS):

95 A/120 VAC
65 A/240 VAC
35 A/600 VAC

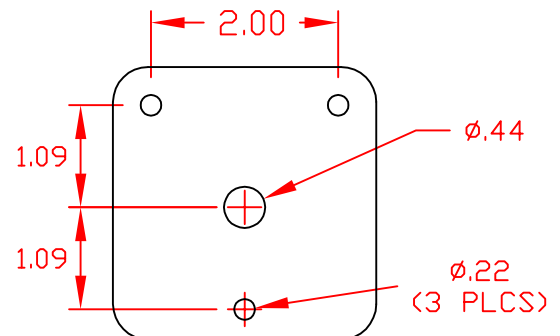
DIELECTRIC STRENGTH: 2200 VRMS

INSULATION RESISTANCE: 100 MEGOHMS INITIAL

CONTACT RESISTANCE: 10 MILLIOHMS MAX. INITIAL

DECK	CONTACTS	POSITION	
		TRIP	RESET
1	11 — — 13		
	12 — — 18	X	X
	15 — — 17		
	16 — — 14	X	X
2	21 — — 23		
	22 — — 28	X	X
	25 — — 27		
	26 — — 24	X	X
3	31 — — 33		
	32 — — 38	X	X
	35 — — 37		
	36 — — 34	X	X
4	41 — — 43		
	42 — — 48	X	X
	45 — — 47		
	46 — — 44	X	X

NAMEPLATE AND PANEL DRILLING DIMENSIONS



DESCRIPTION

7604C 48VDCAXC

REV. -

CUSTOMER REFERENCE:: TERMINAL SCREW TIGHTENING TORQUE: : 8 IN-LBS.



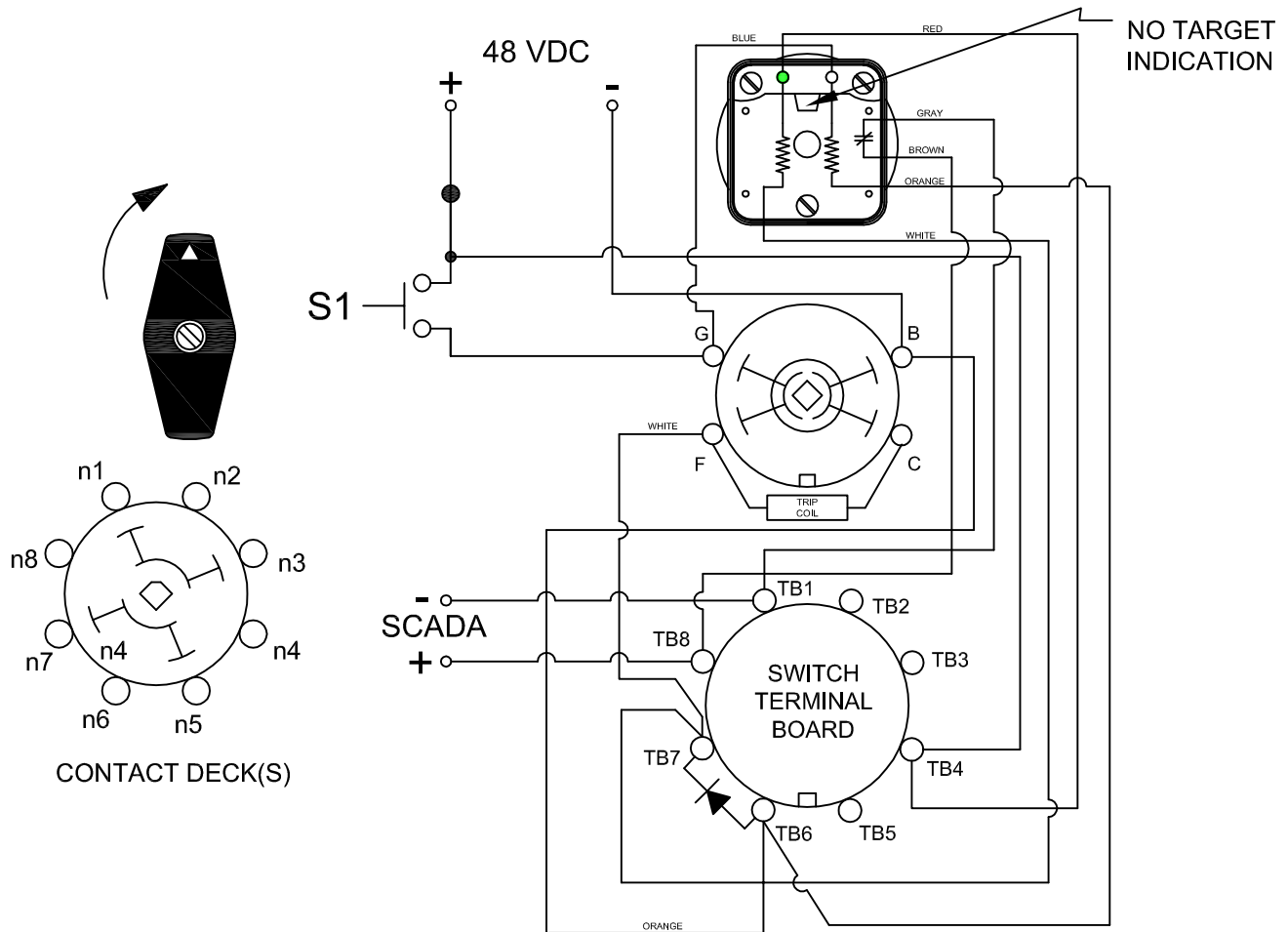
308 COMPONENTS DRIVE
SMITHFIELD, NC 27577 USA

LOCK-OUT RELAYS (LOR)

GENERAL OPERATION:

THE HANDLE OF THE LOR MUST BE MANUALLY ROTATED CLOCKWISE TO PLACE THE UNIT IN THE "RESET" POSITION (SEE FIGURE A)

FIGURE A - RESET POSITION

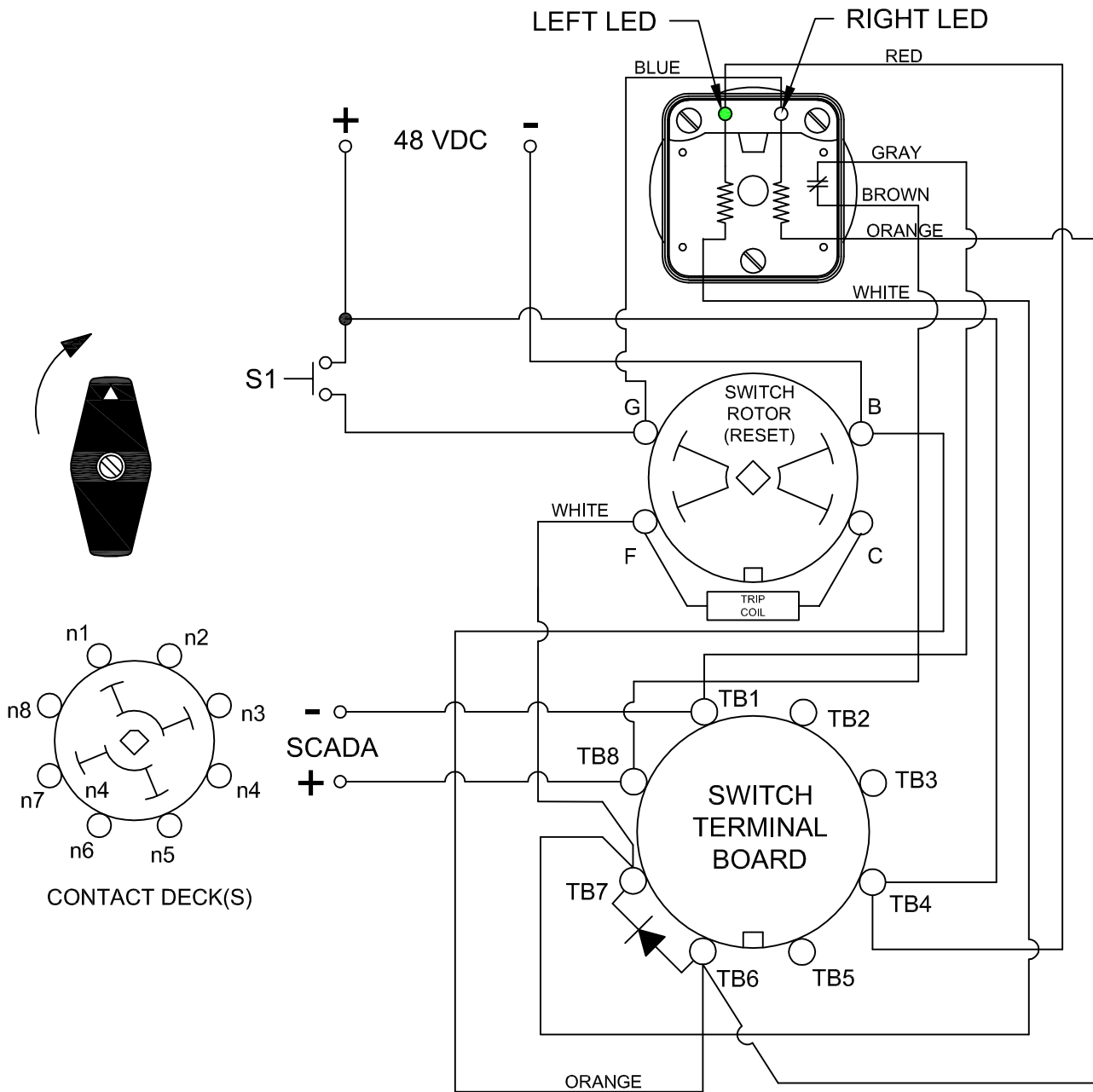


DESCRIPTION	7604C 48VDCAXC	REV -
		308 COMPONENTS DRIVE SMITHFIELD, NC 27577 USA
AN ISO 9001 COMPANY		

LED INDICATION

CONDITION #1	
ROTOR	RESET (AS SHOWN)
SWITCH 1 (S1)	OPEN

RESULT	
LEFT LED	ON
RIGHT LED	OFF
SCADA CIRCUIT (TRIP COIL MONITOR)	OPEN



DESCRIPTION

7604C 48VDCAXC

REV. -

LED INDICATION

CONDITION #2	
ROTOR	RESET (AS SHOWN)
SWITCH 1 (S1)	OPEN

RESULT	
LEFT LED	OFF
RIGHT LED	OFF
SCADA SWITCH	CLOSED

WHEN S1 REOPENS, THE RIGHT LED WILL GO OFF, THE TRIP COIL MONITOR (SCADA) CIRCUIT WILL REMAIN CLOSED UNTIL THE LOR IS ROTATED BACK TO THE RESET POSITION

