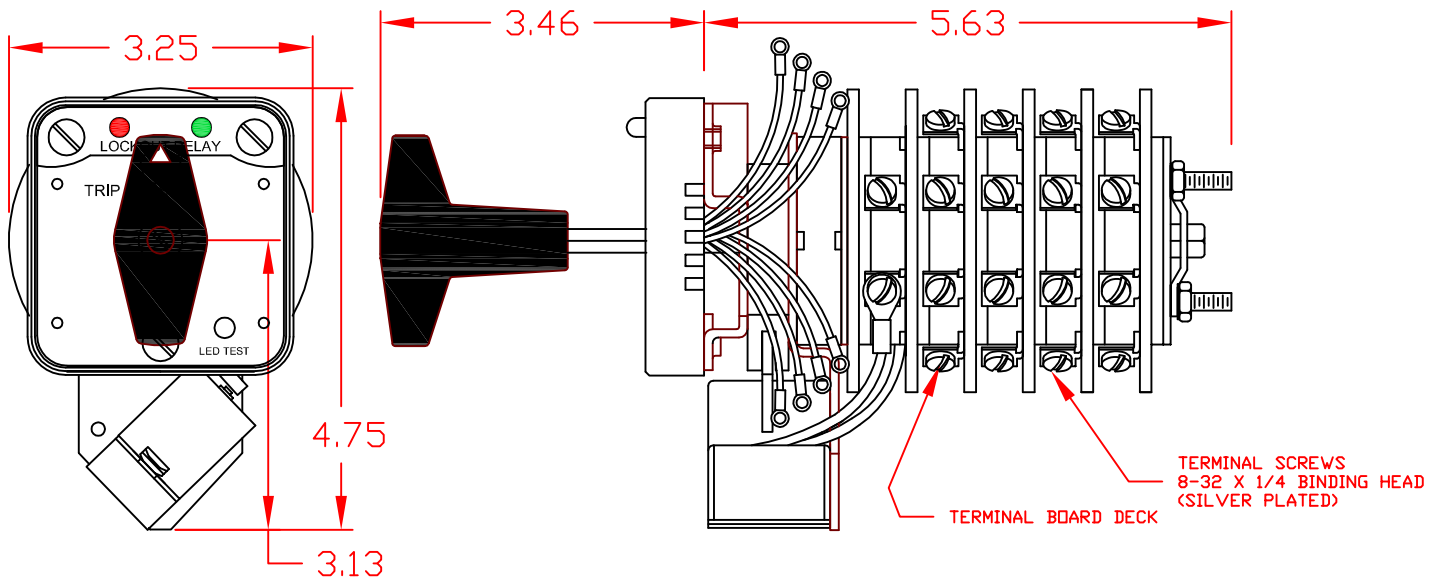


7603D 125VDCAXCPTT

REVISIONS			
LTR	DESCRIPTION	DATE	APP'D



SPECIFICATIONS:

NO. OF POSITIONS: 2, TRIP AND RESET

NO. OF SECTIONS: 3

CONTACTS: 2 NORMALLY OPEN
2 NORMALLY CLOSED
PER DECK

ACTION: 45° POSITIVE TRIP DETENT

STATIONARY CONTACTS : SILVER OVER COPPER

NAMEPLATE: AS SHOWN

COIL SPECIFICATIONS:

OPERATING VOLTAGE: 125 VDC / 120 VAC

THRESHOLD VOLTAGE: 16 VDC / 20 VAC

OPERATING RANGE: 30 - 140 VDC / 30 - 140 VAC

CURRENT AT RATED VOLTAGE: 4.6 / 4.4 AMPS

ELECTRICAL RATINGS:

25 A/120 VAC 3 A/ 125 VDC

15 A/600 VAC 1 A/ 250 VDC

20 A/600 VAC (RESISTIVE)



DECK	CONTACTS	POSITION	
		TRIP	RESET
1	11 — — — 13		X
	12 — — — 18	X	
	15 — — — 17		X
	16 — — — 14	X	
2	21 — — — 23		X
	22 — — — 28	X	
	25 — — — 27		X
	26 — — — 24	X	
3	31 — — — 33		X
	32 — — — 38	X	
	35 — — — 37		X
	36 — — — 34	X	

OVERLOAD CURRENT (50 OPERATIONS):

95 A/120 VAC

65 A/240 VAC

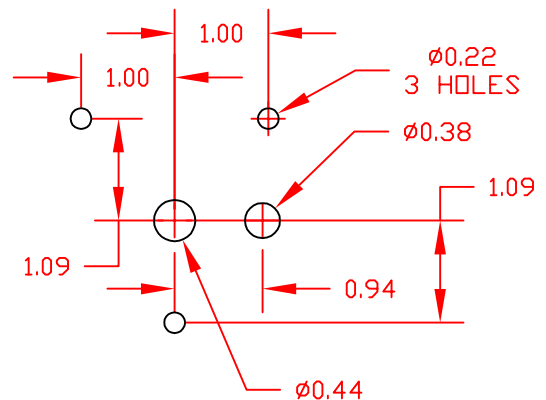
35 A/600 VAC

DIELECTRIC STRENGTH: 2200 VRMS

INSULATION RESISTANCE: 100 MEGOHMS INITIAL

CONTACT RESISTANCE: 10 MILLIOHMS MAX. INITIAL

PANEL DRILLING DETAILS



PART NUMBER

7603D 125VDCAXCPTT

REV -

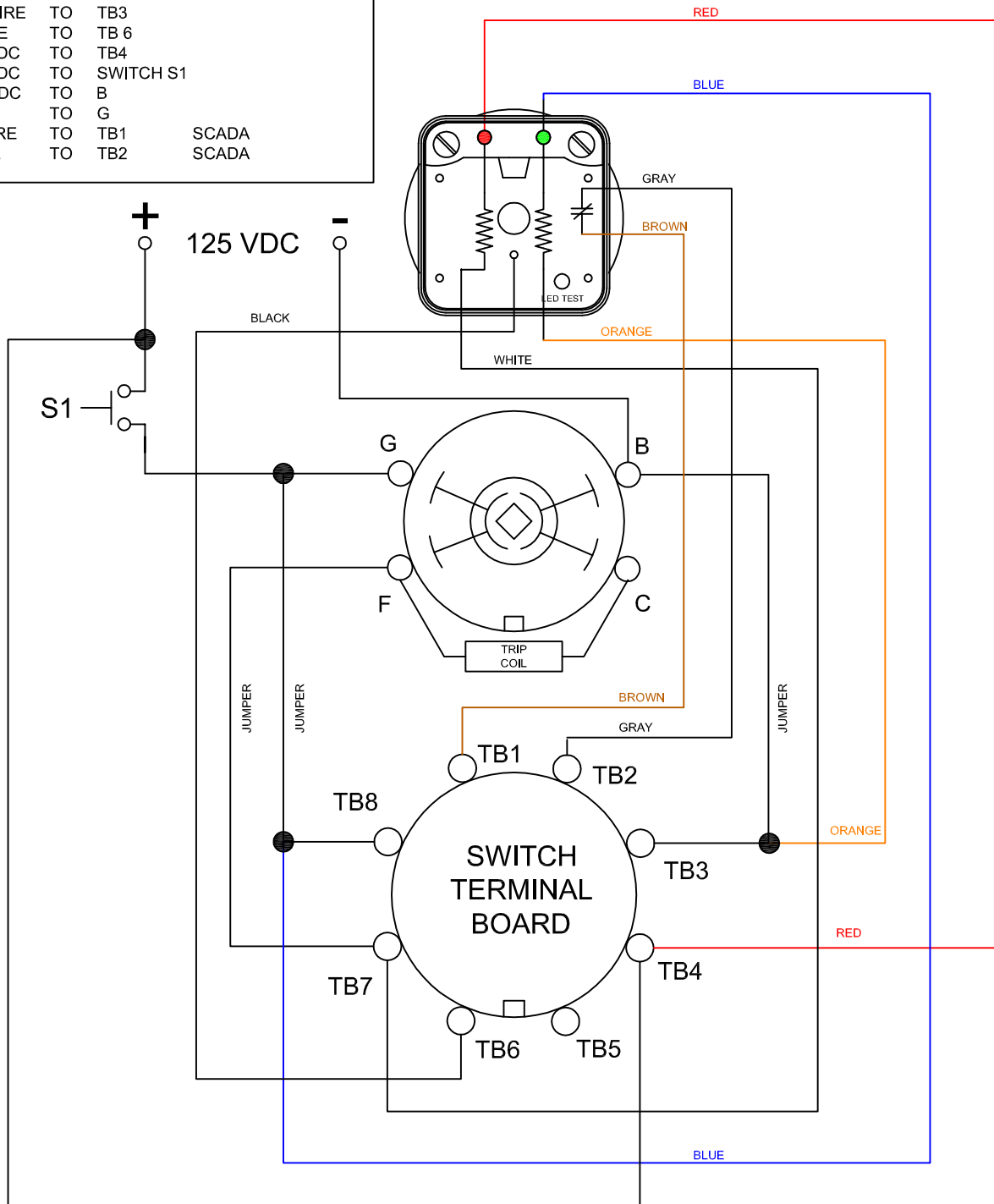


308 COMPONENTS DRIVE
SMITHFIELD, NC 27577 USA

7603D 125VDCAXCPTT

REVISIONS			
LTR	DESCRIPTION	DATE	APP'D

WIRING	TO	NOTES
G	TO TB8	JUMPER (DK TO DK)
F	TO TB7	JUMPER (DK TO DK)
B	TO TB3	JUMPER (DK TO DK)
BLUE WIRE	TO TB8	
WHITE WIRE	TO TB7	
RED WIRE	TO TB4	
ORANGE WIRE	TO TB3	
BLACK WIRE	TO TB 6	
+125 VOLT DC	TO TB4	
+125 VOLT DC	TO SWITCH S1	
- 125 VOLT DC	TO B	
SWITCH S1	TO G	
BROWN WIRE	TO TB1	SCADA
GRAY WIRE	TO TB2	SCADA



PART NUMBER
7603D 125VDCAXCPTT
 REV -



308 COMPONENTS DRIVE
 SMITHFIELD, NC 27577 USA

LOCK-OUT RELAYS (LOR)

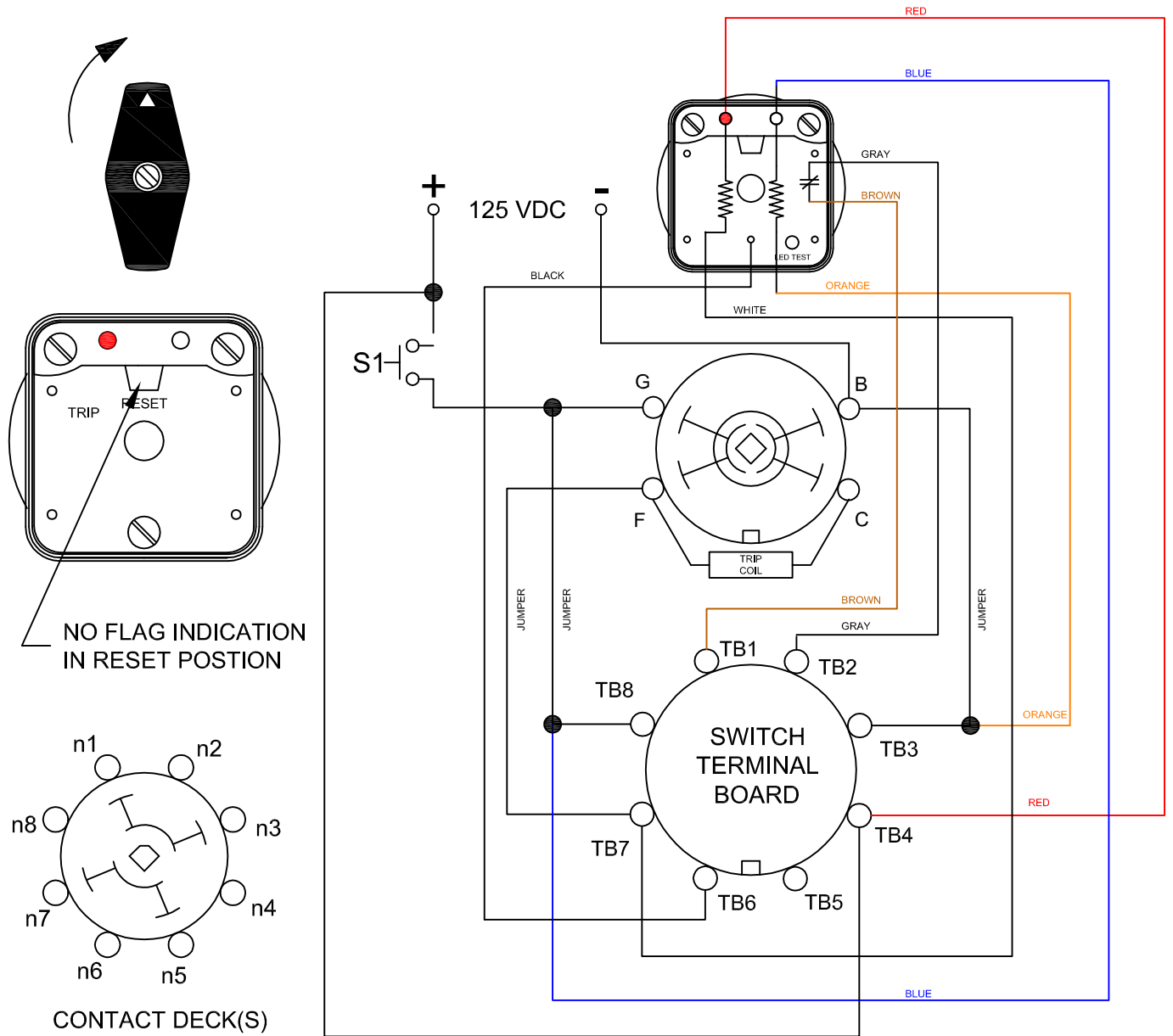
GENERAL OPERATION:

THE HANDLE OF THE LOR MUST BE MANUALLY ROTATED CLOCKWISE TO PLACE THE UNIT IN THE "RESET" POSITION (SEE FIGURE A)

CONDITION #1	
ROTOR	RESET (AS SHOWN)
SWITCH 1 (S1)	OPEN

RESULT		BY PRESSING THE LED TEST BUTTON, BOTH THE LEFT AND RIGHT LED WILL ILLUMINATE UNTIL RELEASING THE BUTTON
LEFT LED	ON	
RIGHT LED	OFF	
SCADA CIRCUIT TRIP COIL MONITOR)	OPEN	

FIGURE A - RESET POSITION



PART NUMBER

7603D 125VDCAXCPTT

REV -

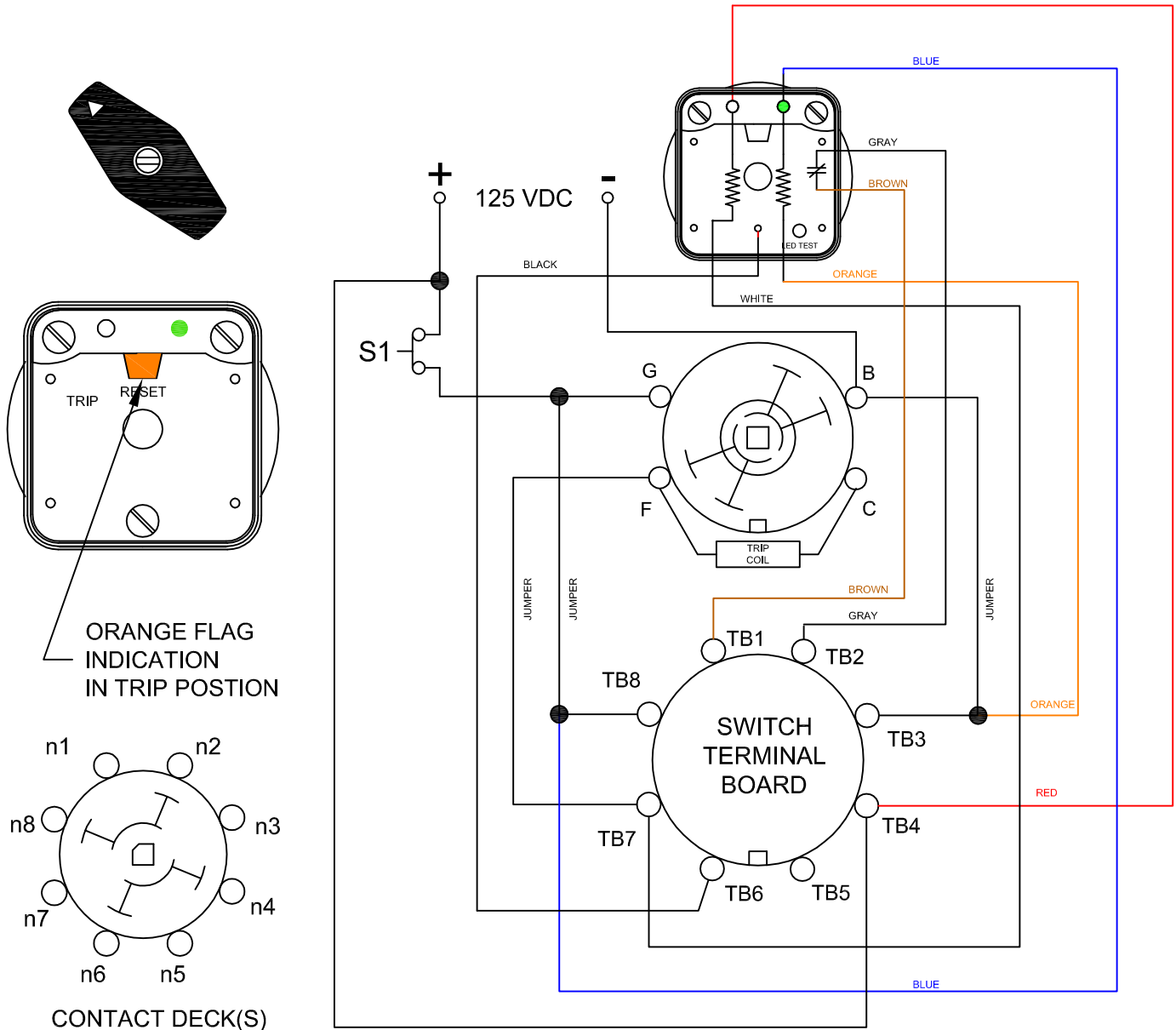
REVISIONS			
LTR	DESCRIPTION	DATE	APP'D

CONDITION #2	
ROTOR	TRIPPED (AS SHOWN)
SWITCH 1 (S1)	CLOSED

RESULT		BY PRESSING THE LED TEST BUTTON, BOTH THE LEFT AND RIGHT LED WILL ILLUMINATE UNTIL RELEASING THE BUTTON
LEFT LED	OFF	
RIGHT LED	ON	
SCADA SWITCH	CLOSED	

WHEN S1 CLOSSES, THE COIL CAUSES A MECHANICAL ROTATION OF THE RELAY RESULTING IN THE SWITCH ROTOR ADVANCE TO THE "TRIP" POSITION SHOWN

FIGURE B - TRIP POSITION



PART NUMBER

7603D 125VDCAXCPTT

REV -



308 COMPONENTS DRIVE
SMITHFIELD, NC 27577 USA

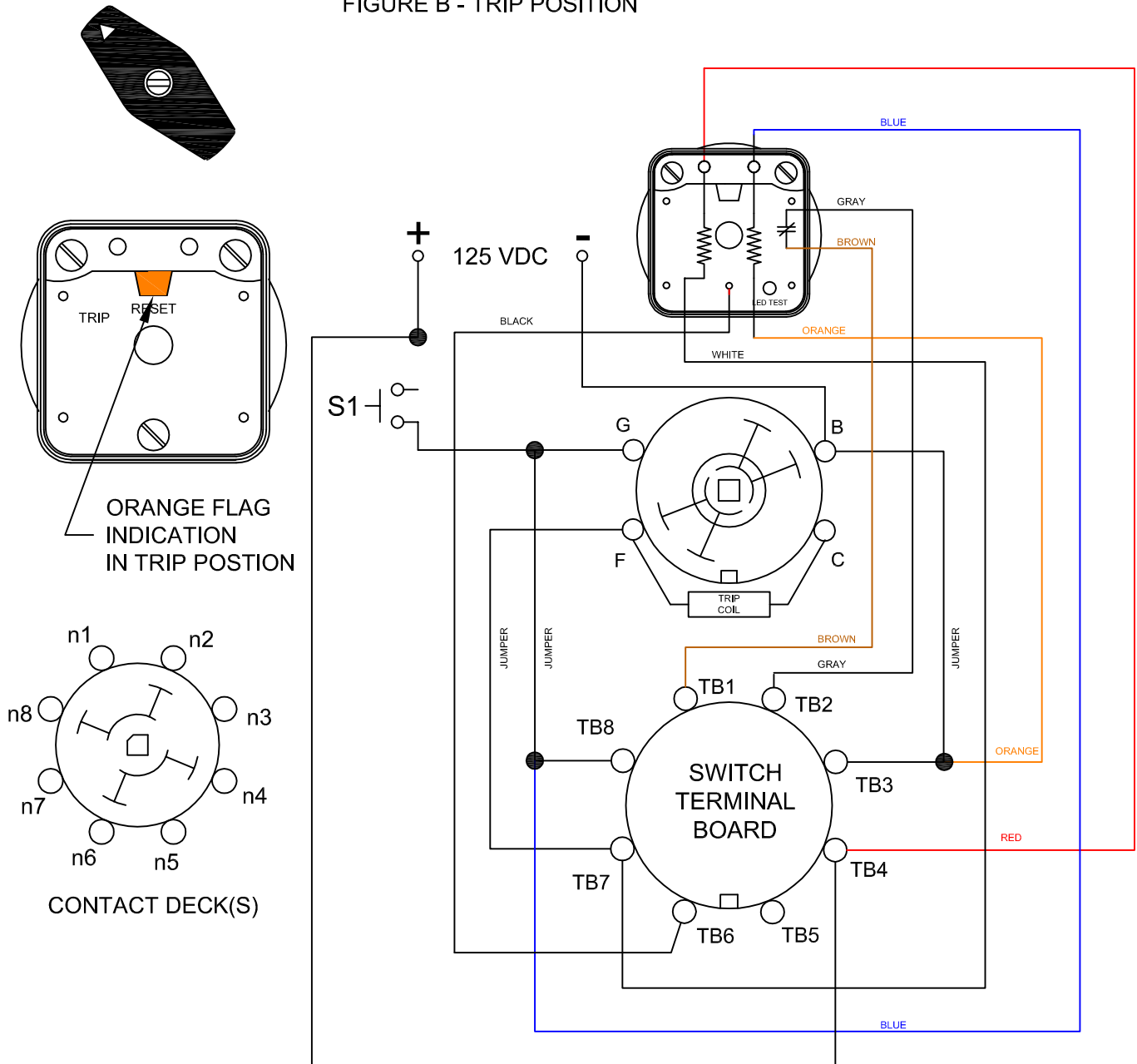
REVISIONS			
LTR	DESCRIPTION	DATE	APP'D

CONDITION #2	
ROTOR	RESET (AS SHOWN)
SWITCH 1 (S1)	OPEN

RESULT		BY PRESSING THE LED TEST BUTTON, BOTH THE LEFT AND RIGHT LED WILL ILLUMINATE UNTIL RELEASING THE BUTTON
LEFT LED	OFF	
RIGHT LED	OFF	
SCADA SWITCH	CLOSED	

WHEN S1 OPENS BACK, THE SCADA CIRCUIT WILL REMAIN CLOSED UNTIL THE LOR IS ROTATED BACK INTO THE RESET POSITION.

FIGURE B - TRIP POSITION



PART NUMBER

7603D 125VDCAXCPTT

REV -



308 COMPONENTS DRIVE
SMITHFIELD, NC 27577 USA