

SHALLCO OPEN FRAME PRECISION ROTARY SWITCH



SHALLCO PART NUMBER 113-EB-24

DESCRIPTION:

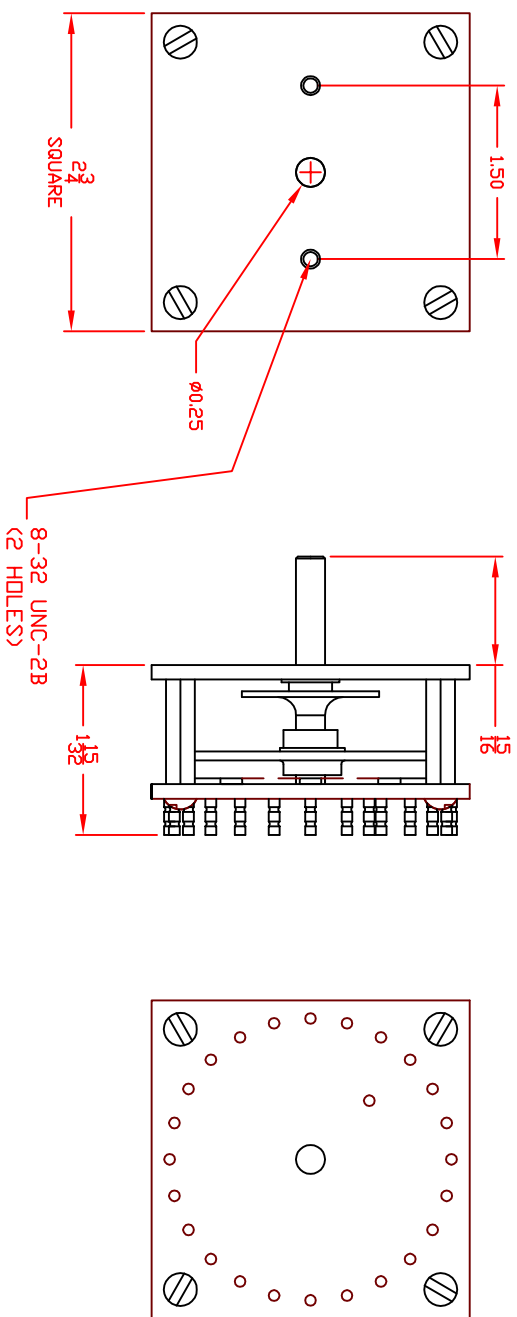
- NO. OF DECKS: 1
- NO OF POLES PER DECK: 1
- NUMBER OF POSITIONS: 24 CONTINUOUS ROTATION
- TYPE ACTION: NON-SHORTING (BREAK BEFORE MAKE)
- ANGLE OF THROW: 15°

ELECTRICAL:

- CURRENT CARRY CAPACITY: 10 AMPS
- CURRENT SWITCHING CAPACITY: UP TO 2 AMPS
- CONTACT RESISTANCE: .005 OHMS INITIAL
- INSULATION RESISTANCE: 50,000 MEGOHMS INITIAL
- DIELECTRIC WITHSTANDING VOLTAGE: 1500 VRMS INITIAL

MECHANICAL:

- ROTATIONAL LIFE: 50,000 CYCLES MIN. (ONE CYCLE=ONE FULL CW AND ONE FULL CCW ROTATION)
- STOP TORQUE: 50 IN-LBS
- CONSTRUCTION: OPEN FRAME
- WIPERS AND CONTACT PANELS: DUAL SILVER ALLOY WIPERS (TORSION BAR DESIGN), EPOXY LAMINATE PANELS WITH .025 SILVER HEADED CONTACTS, CDA 110 BASE AND GOLD FLASHING



DESCRIPTION

113-EB-24



308 COMPONENTS DRIVE
SMITHFIELD, NC 27577
USA