

SHALLCO SERIES 3



308 COMPONENTS DRIVE
SMITHFIELD, NC 27577 USA

Part Number: 3C04-3

GENERAL: MEETS THE REQUIREMENTS FOR 10 TO 30 AMPERES OF SWITCHING OF RESISTIVE LOADS TO .75 POWER FACTOR AT VOLTAGES TO 480 VAC AND 250 VDC

ELECTRICAL:

VOLTAGE: 480 VAC, 250 VDC
CARRYING CAPACITY: 45 AMPERES
SWITCHING CAPACITY: UP TO 30 AMPERES
DIELECTRIC WITHSTANDING VOLTAGE: 2500 VRMS INITIAL

CONTACT RESISTANCE: 10 MILLIOHMS MAX.
(4 MILLIOHMS AVERAGE)

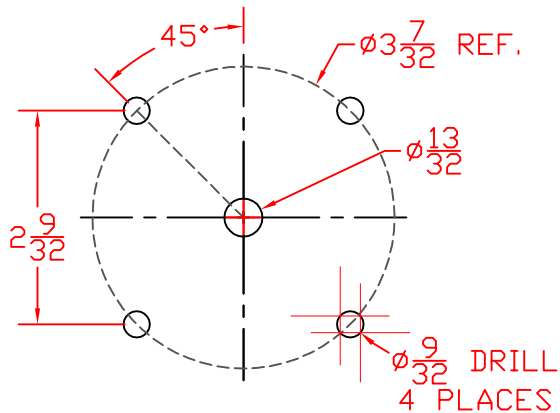
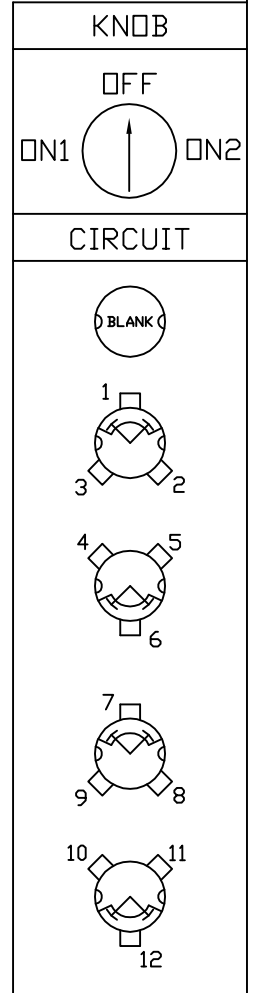
INSULATION RESISTANCE: 1000 MEGOHMS MIN. INITIAL

MECHANICAL:

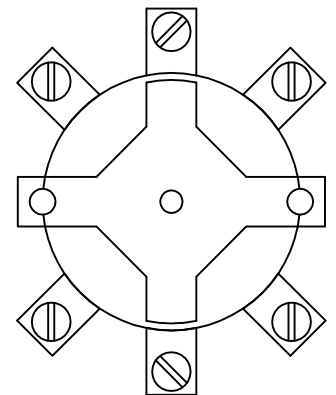
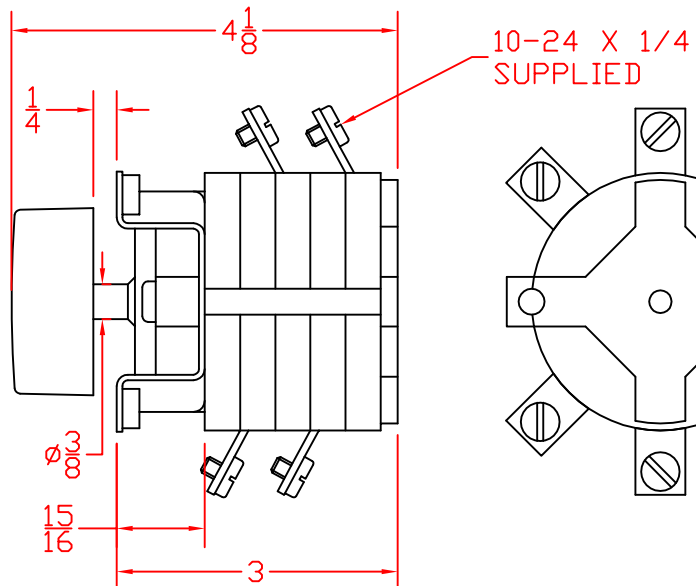
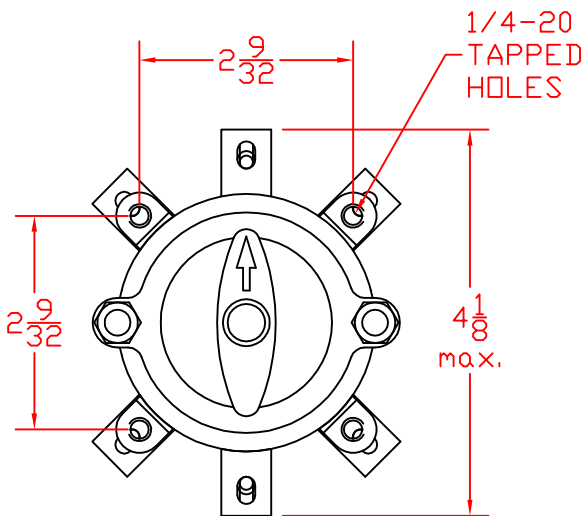
POLES: 4
POSITIONS: 3 (ON - OFF - ON)
INDEXING: 90°
CONTACTS: BREAK BEFORE MAKE
TERMINAL TYPE: SCREW
CONSTRUCTION: CLOSED

SUPPLIED WITH MOUNTING HARDWARE, TERMINAL SCREWS, AND KNOB

DECK	CONTACTS	POS.	
		ON 1	OFF ON 2
1	1-2 1-3	X	X
2	6-4 6-5	X	X
3	7-8 7-9	X	X
4	12-10 12-11	X	X



MOUNTING HOLE DETAIL



308 COMPONENTS DRIVE
SMITHFIELD, NC 27577 USA

3C04-3

REV. A