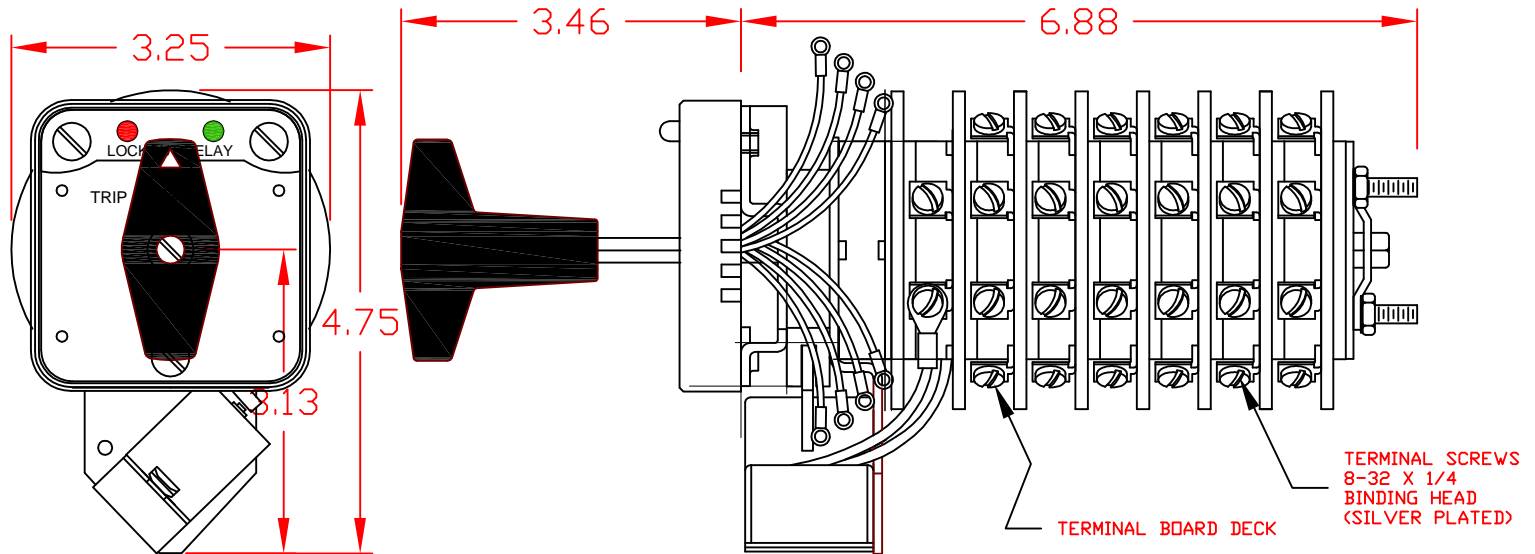


7605D 125VDCAXC



SPECIFICATIONS:

NO. OF POSITIONS: 2, TRIP AND RESET

NO. OF SECTIONS: 7

CONTACTS: 2 NORMALLY OPEN
2 NORMALLY CLOSED
PER DECK

ACTION: 45° POSITIVE TRIP DETENT

STATIONARY CONTACTS : SILVER OVER COPPER

NAMEPLATE: AS SHOWN

COIL SPECIFICATIONS:

OPERATING VOLTAGE: 125 VDC / 120 VAC

THRESHOLD VOLTAGE: 16 VDC / 20 VAC

OPERATING RANGE: 30 - 140 VDC / 30 - 140 VAC

CURRENT AT RATED VOLTAGE: 4.6 / 4.4 AMPS

ELECTRICAL RATINGS:

25 A/120 VAC 3 A/ 125 VDC

15 A/240 VAC 1 A/ 250 VDC

6 A/600 VAC

OVERLOAD CURRENT (50 OPERATIONS):

95 A/120 VAC

65 A/240 VAC

35 A/600 VAC

DIELECTRIC STRENGTH: 2200 VRMS

INSULATION RESISTANCE: 100 MEGOHMS INITIAL

CONTACT RESISTANCE: 10 MILLIOHMS MAX. INITIAL

DECK	CONTACTS	POSITION	
		TRIP	RESET
1	11 ◯ ◯ 13		✗
	12 ◯ ◯ 18	✗	✗
	15 ◯ ◯ 17		✗
	16 ◯ ◯ 14	✗	✗
2	21 ◯ ◯ 23		✗
	22 ◯ ◯ 28	✗	✗
	25 ◯ ◯ 27		✗
3	26 ◯ ◯ 24	✗	✗
	31 ◯ ◯ 33		✗
	32 ◯ ◯ 38	✗	✗
4	35 ◯ ◯ 37		✗
	36 ◯ ◯ 34	✗	✗
	41 ◯ ◯ 43		✗
	42 ◯ ◯ 48	✗	✗
5	45 ◯ ◯ 47		✗
	46 ◯ ◯ 44	✗	✗
	51 ◯ ◯ 53		✗
	52 ◯ ◯ 58	✗	✗
	55 ◯ ◯ 57		✗
	56 ◯ ◯ 54	✗	✗

DESCRIPTION

7605D 125VDCAXC

REV A



308 COMPONENTS DRIVE
SMITHFIELD, NC 27577 USA

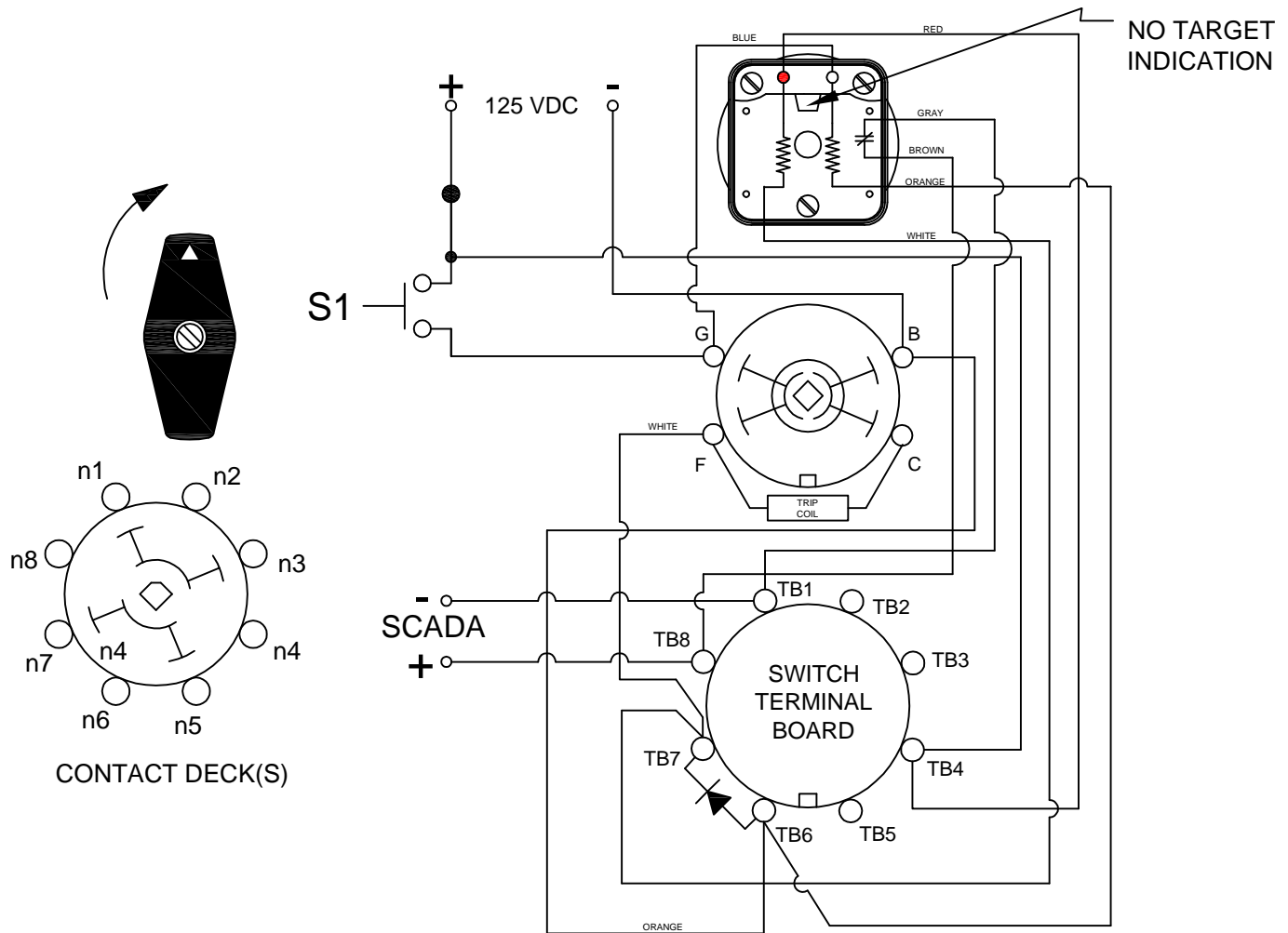
7605D 125VDCAXC

LOCK-OUT RELAYS (LOR)

GENERAL OPERATION:

THE HANDLE OF THE LOR MUST BE MANUALLY ROTATED CLOCKWISE TO PLACE THE UNIT IN THE "RESET" POSITION (SEE FIGURE A)

FIGURE A - RESET POSITION



DESCRIPTION

7605D 125VDCAXC

REV A



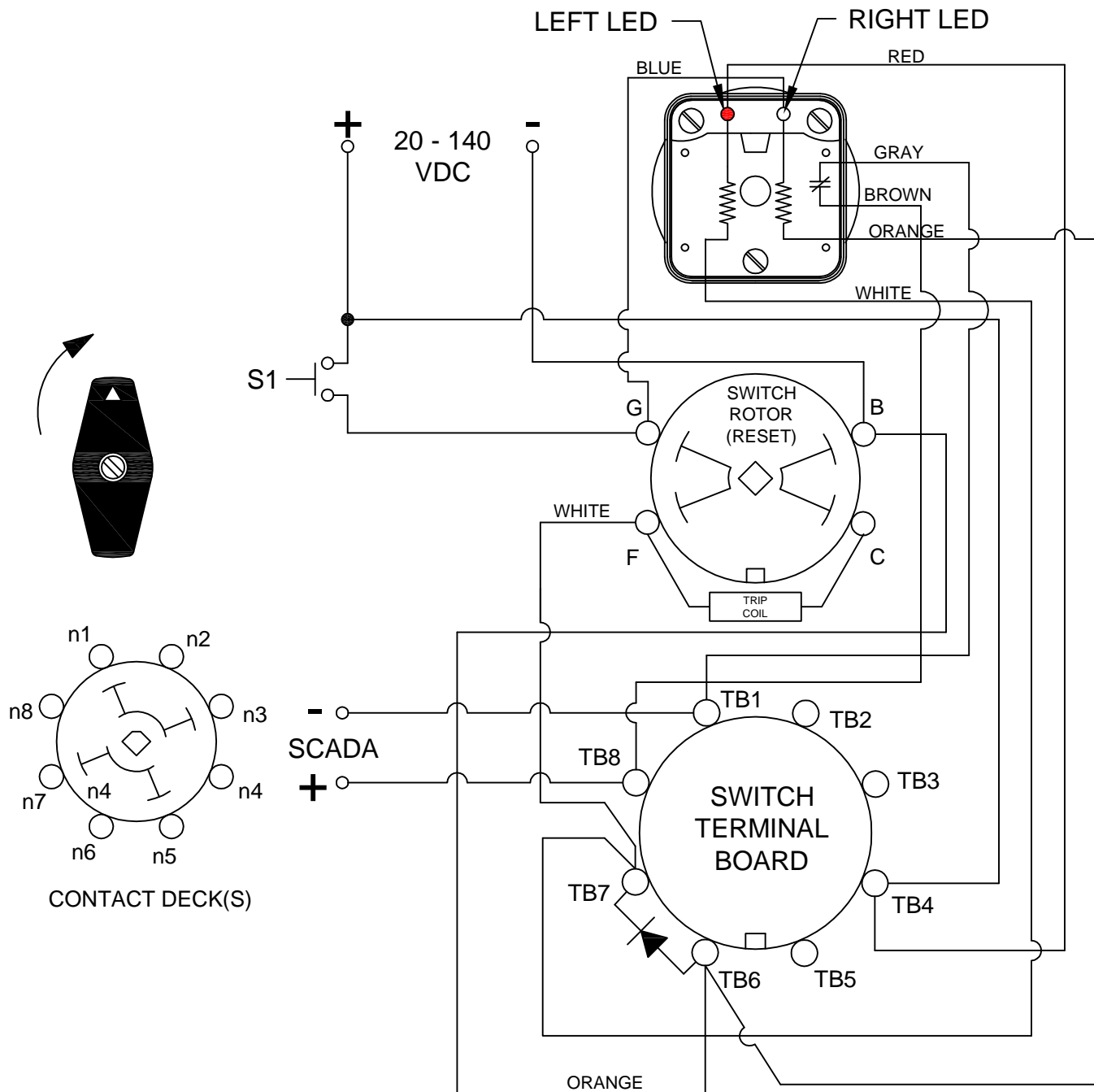
308 COMPONENTS DRIVE
SMITHFIELD, NC 27577 USA

7605D 125VDC AXC

LED INDICATION

CONDITION #1	
ROTOR	RESET (AS SHOWN)
SWITCH 1 (S1)	OPEN

RESULT	
LEFT LED	ON
RIGHT LED	OFF
SCADA CIRCUIT (TRIP COIL MONITOR)	OPEN



DESCRIPTION

7605D 125VDC AXC

REV A



308 COMPONENTS DRIVE
SMITHFIELD, NC 27577 USA

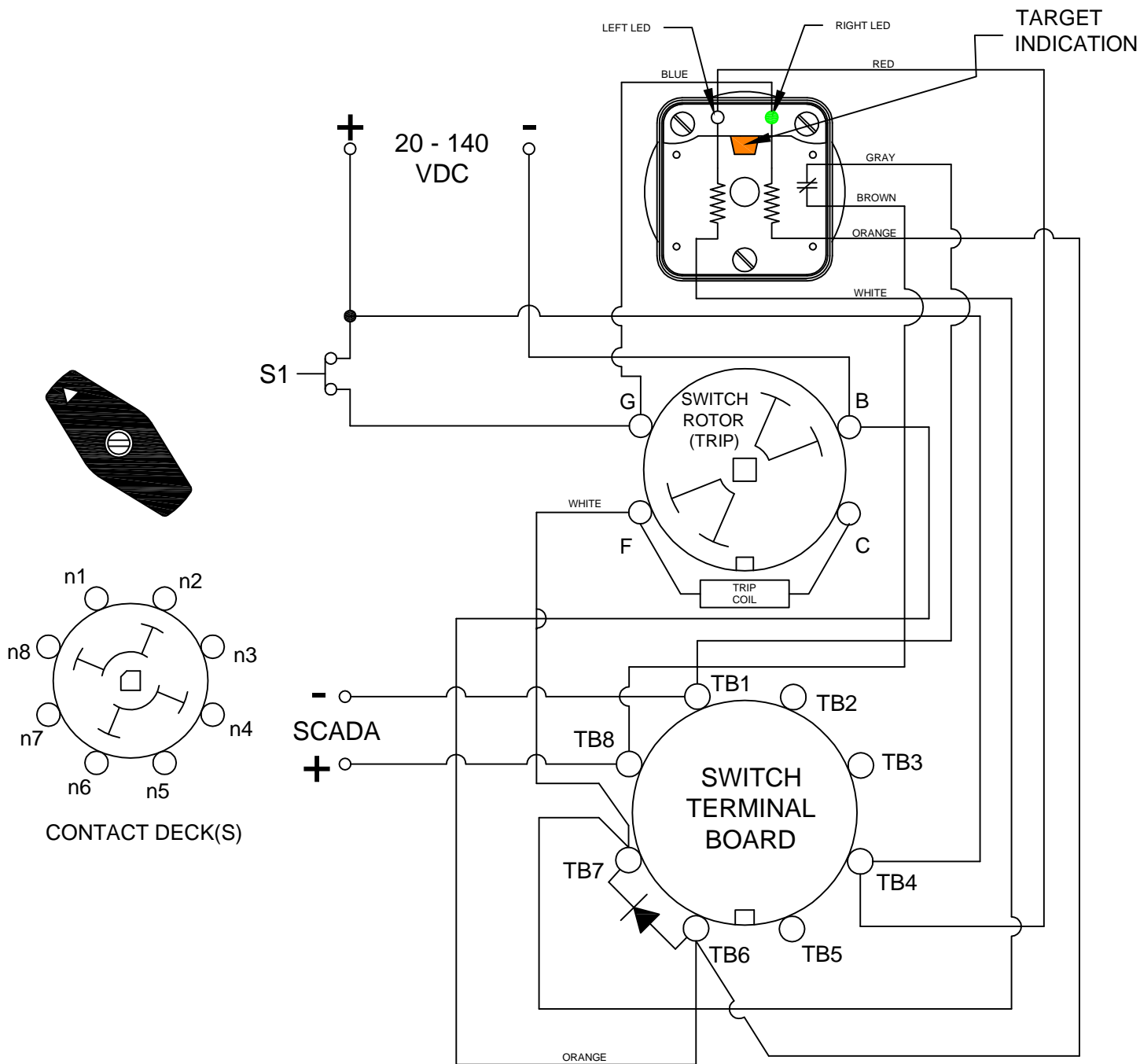
7605D 125VDCAXC

LED INDICATION

CONDITION #2	
ROTOR	RESET (AS SHOWN)
SWITCH 1 (S1)	CLOSED

RESULT	
LEFT LED	OFF
RIGHT LED	ON
SCADA SWITCH	CLOSED

WHEN S1 CLOSSES, THE COIL CAUSES A MECHANICAL ROTATION OF THE RELAY RESULTING IN THE SWITCH ROTOR ADVANCE TO THE "TRIP" POSITION SHOWN



DESCRIPTION

7605D 125VDCAXC

REV A



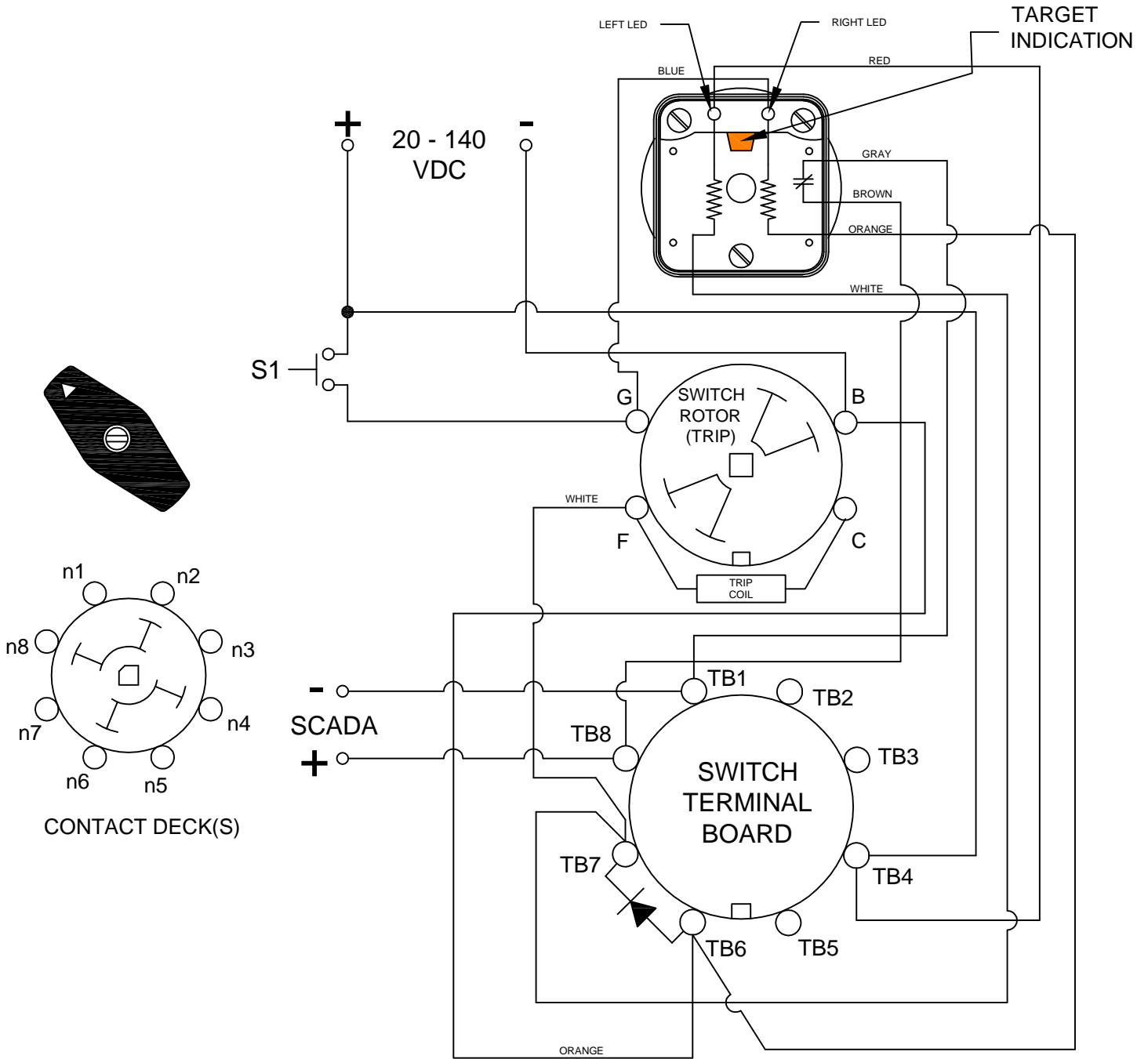
308 COMPONENTS DRIVE
SMITHFIELD, NC 27577 USA

7605D 125VDCAXC

LED INDICATION

CONDITION #2	
ROTOR	RESET (AS SHOWN)
SWITCH 1 (S1)	OPEN

RESULT	
LEFT LED	OFF
RIGHT LED	OFF
SCADA SWITCH	CLOSED



DESCRIPTION

7605D 125VDCAXC

REV A



308 COMPONENTS DRIVE
SMITHFIELD, NC 27577 USA