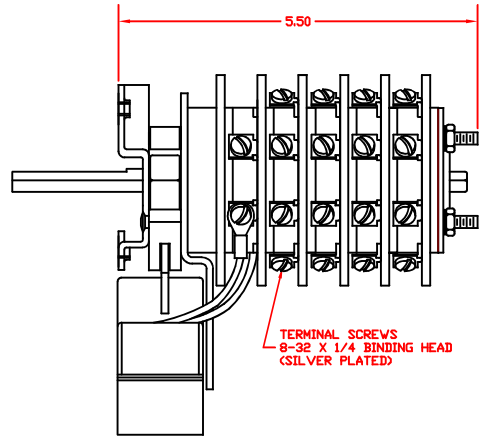
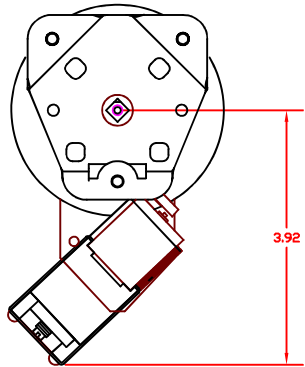
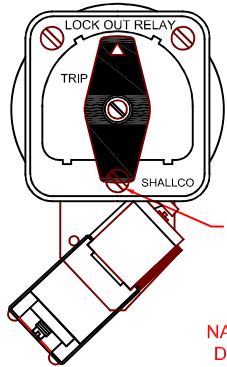


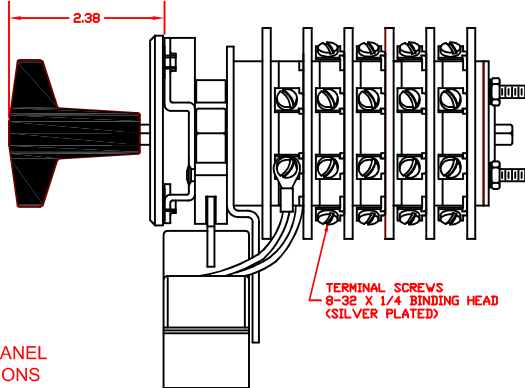
7604G



TERMINAL SCREWS
8-32 X 1/4 BINDING HEAD
(SILVER PLATED)

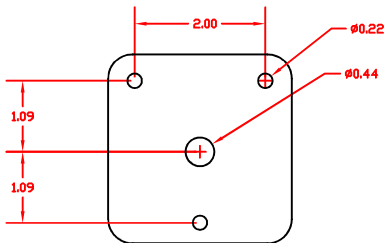


MOUNTING SCREWS
10-32 X 9/16



TERMINAL SCREWS
8-32 X 1/4 BINDING HEAD
(SILVER PLATED)

NAMEPLATE AND PANEL
DRILLING DIMENSIONS



PART NUMBER 7604G

SPECIFICATIONS:
 NO. OF POSITIONS: 2, TRIP AND RESET
 NO. OF SECTIONS: 4
 CONTACTS: 2 NORMALLY OPEN
 2 NORMALLY CLOSED
 PER DECK
 ACTION: 45° POSITIVE TRIP DETENT
 STATIONARY CONTACTS : SILVER OVER COPPER
 NAMEPLATE: AS SHOWN

COIL SPECIFICATIONS:
 OPERATING VOLTAGE: 125 VDC
 THRESHOLD VOLTAGE: 70 VDC
 OPERATING RANGE: 90 - 140 VDC

THIS LOCK-OUT RELAY IS SUPPLIED WITH A MECHANICAL DELAY CALIBRATED FOR TRIP OPERATION AT 90 VDC WITH A THRESHOLD OF 70 VDC. SEE SHEET 2 FOR VERIFICATION OF PROPER COIL OPERATION

ELECTRICAL RATINGS:
 25 A/120 VAC
 15 A/600 VAC
 20A/600 VAC (RESISTIVE)
 3 A/125 VDC
 1 A/250 VDC



OVERLOAD CURRENT (50 OPERATIONS):
 95 A/120 VAC
 65 A/240 VAC
 35 A/600 VAC

DIELECTRIC STRENGTH: 2200 VRMS

INSULATION RESISTANCE: 100 MEGOHMS INITIAL

CONTACT RESISTANCE: 10 MILLIOHMS MAX. INITIAL

DECK	CONTACTS	POSITION	
		TRIP	RESET
1	11 13		<input checked="" type="checkbox"/>
	12 18	<input checked="" type="checkbox"/>	
	15 17		<input checked="" type="checkbox"/>
	16 14	<input checked="" type="checkbox"/>	
2	21 23		<input checked="" type="checkbox"/>
	22 28	<input checked="" type="checkbox"/>	
	25 27		<input checked="" type="checkbox"/>
	26 24	<input checked="" type="checkbox"/>	
3	31 33		<input checked="" type="checkbox"/>
	32 38	<input checked="" type="checkbox"/>	
	35 37		<input checked="" type="checkbox"/>
	36 34	<input checked="" type="checkbox"/>	
4	41 43		<input checked="" type="checkbox"/>
	42 48	<input checked="" type="checkbox"/>	
	45 47		<input checked="" type="checkbox"/>
	46 44	<input checked="" type="checkbox"/>	

DESCRIPTION

LOCK-OUT RELAY SPECIFICATION SHEET



308 COMPONENTS DRIVE
 SMITHFIELD, NC 27577 USA

DRAWN P.DORMAN 12-2-13

SCALE 1X

PART NUMBER
7604G

REV. -

LOCK-OUT RELAYS (LOR)

GENERAL OPERATION:

THE HANDLE OF THE LOR MUST BE MANUALLY ROTATED CLOCKWISE TO PLACE THE UNIT IN THE "RESET" POSITION (SEE FIGURE A)

WHEN A PREDETERMINED CONDITION EXISTS, A SIGNAL WILL BE SENT TO S1 WHICH WILL ACTIVATE THE COIL AND CAUSE THE LOR TO "TRIP". THE "B" AND "G" CONTACTS ON THE CONTROL DECK PROVIDE THE CONNECTION TO THE CONTROL CIRCUIT THROUGH S1 WHICH CAN BE A CONTACT OF ANY TYPE I.E. SWITCH, RELAY.... THE LOR CONTACTS IN FIGURE "B" ARE IN THE "TRIPPED" POSITION.

THE LOR WILL REMAIN IN THE "TRIPPED" POSITION UNTIL MANUALLY RESET.

FIGURE A - RESET POSITION

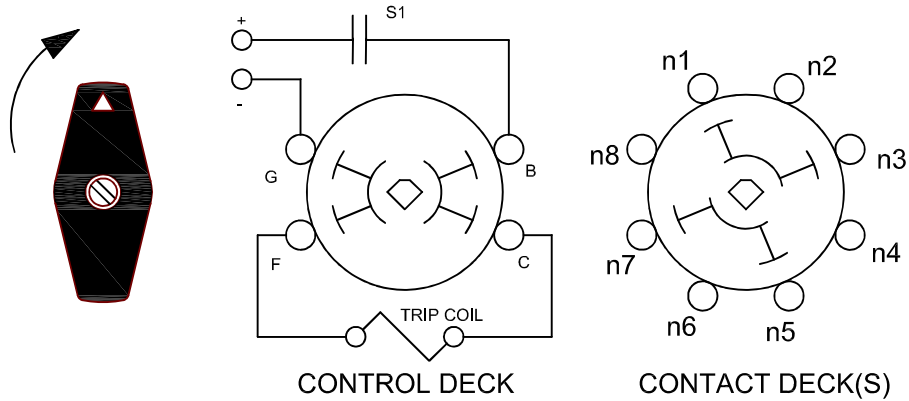
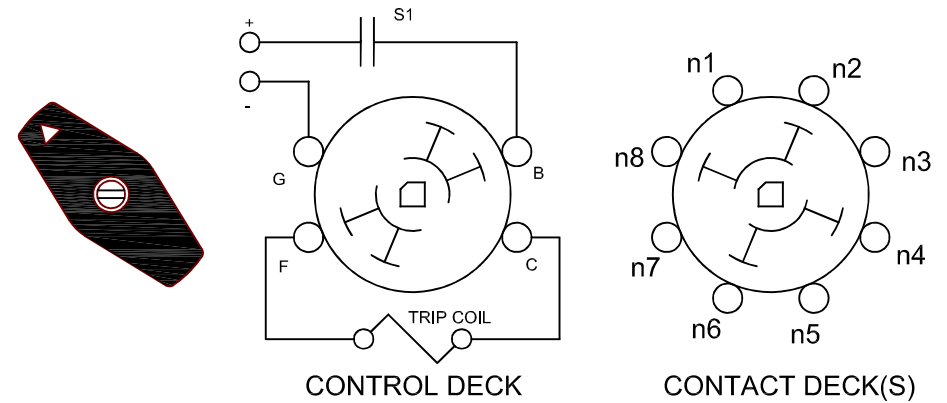


FIGURE B - TRIP POSITION



DESCRIPTION

LOCK-OUT RELAY SPECIFICATION SHEET



308 COMPONENTS DRIVE
SMITHFIELD, NC 27577 USA

DRAWN P.DORMAN 12-2-13

SCALE 1X

PART NUMBER

7604G

REV.-