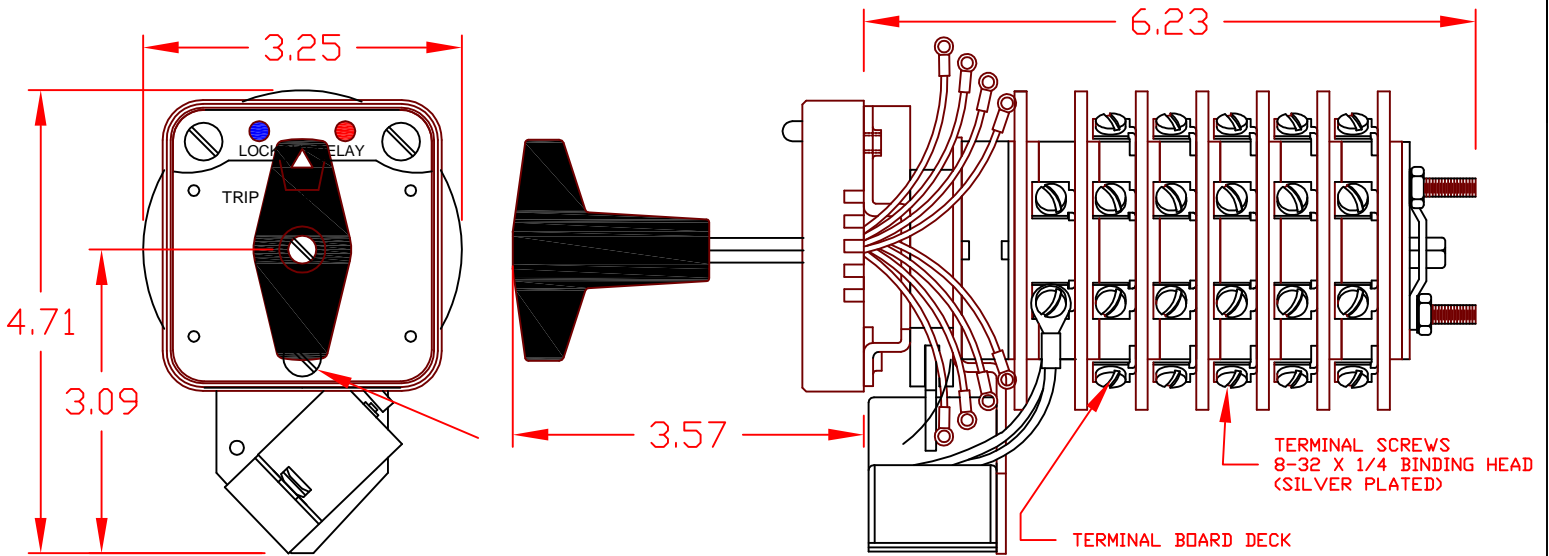


# 7604D 125VDC EXA



**SPECIFICATIONS:**

NO. OF POSITIONS: 2, TRIP AND RESET  
 NO. OF SECTIONS: 4

CONTACTS: 2 NORMALLY OPEN  
 2 NORMALLY CLOSED  
 PER DECK

ACTION: 45° POSITIVE TRIP DETENT  
 STATIONARY CONTACTS : SILVER OVER COPPER  
 NAMEPLATE: AS SHOWN

**COIL SPECIFICATIONS:**

OPERATING VOLTAGE: 125 VDC / 120 VAC  
 THRESHOLD VOLTAGE: 16 VDC / 20 VAC  
 OPERATING RANGE: 30 - 140 VDC / 30 - 140 VAC  
 CURRENT AT RATED VOLTAGE: 4.6 / 4.4 AMPS



**ELECTRICAL RATINGS:**

25 A/120 VAC 3 A/ 125 VDC  
 15 A/600 VAC 1 A/ 250 VDC  
 20 A/600 VAC (RESISTIVE)

**OVERLOAD CURRENT (50 OPERATIONS):**

95 A/120 VAC  
 65 A/240 VAC  
 35 A/600 VAC

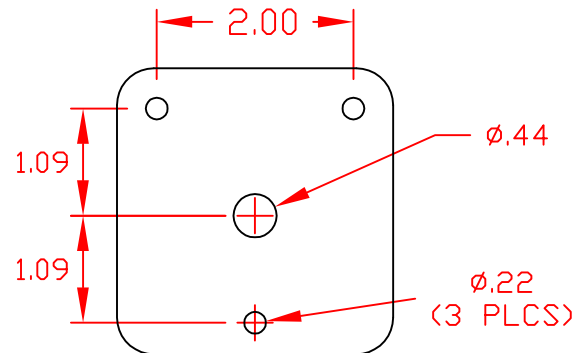
DIELECTRIC STRENGTH: 2200 VRMS

INSULATION RESISTANCE: 100 MEGOHMS INITIAL

CONTACT RESISTANCE: 10 MILLIOHMS MAX. INITIAL

DECK	CONTACTS	POSITION	
		TRIP	RESET
1	11 ◦ —    —    ◦ 13		X
	12 ◦ —    —    ◦ 18	X	
	15 ◦ —    —    ◦ 17		X
	16 ◦ —    —    ◦ 14	X	
2	21 ◦ —    —    ◦ 23		X
	22 ◦ —    —    ◦ 28	X	
	25 ◦ —    —    ◦ 27		X
3	26 ◦ —    —    ◦ 24	X	
	31 ◦ —    —    ◦ 33		X
	32 ◦ —    —    ◦ 38	X	
	35 ◦ —    —    ◦ 37		X
4	36 ◦ —    —    ◦ 34	X	
	41 ◦ —    —    ◦ 43		X
	42 ◦ —    —    ◦ 48	X	
	45 ◦ —    —    ◦ 47		X
	46 ◦ —    —    ◦ 44	X	

**NAMEPLATE AND PANEL DRILLING DIMENSIONS**



CUSTOMER REFERENCE:: TERMINAL SCREW TIGHTENING TORQUE: : 8 IN-LBS.

**LOCK-OUT RELAY SPECIFICATION SHEET**

**7604D 125VDC EXA**



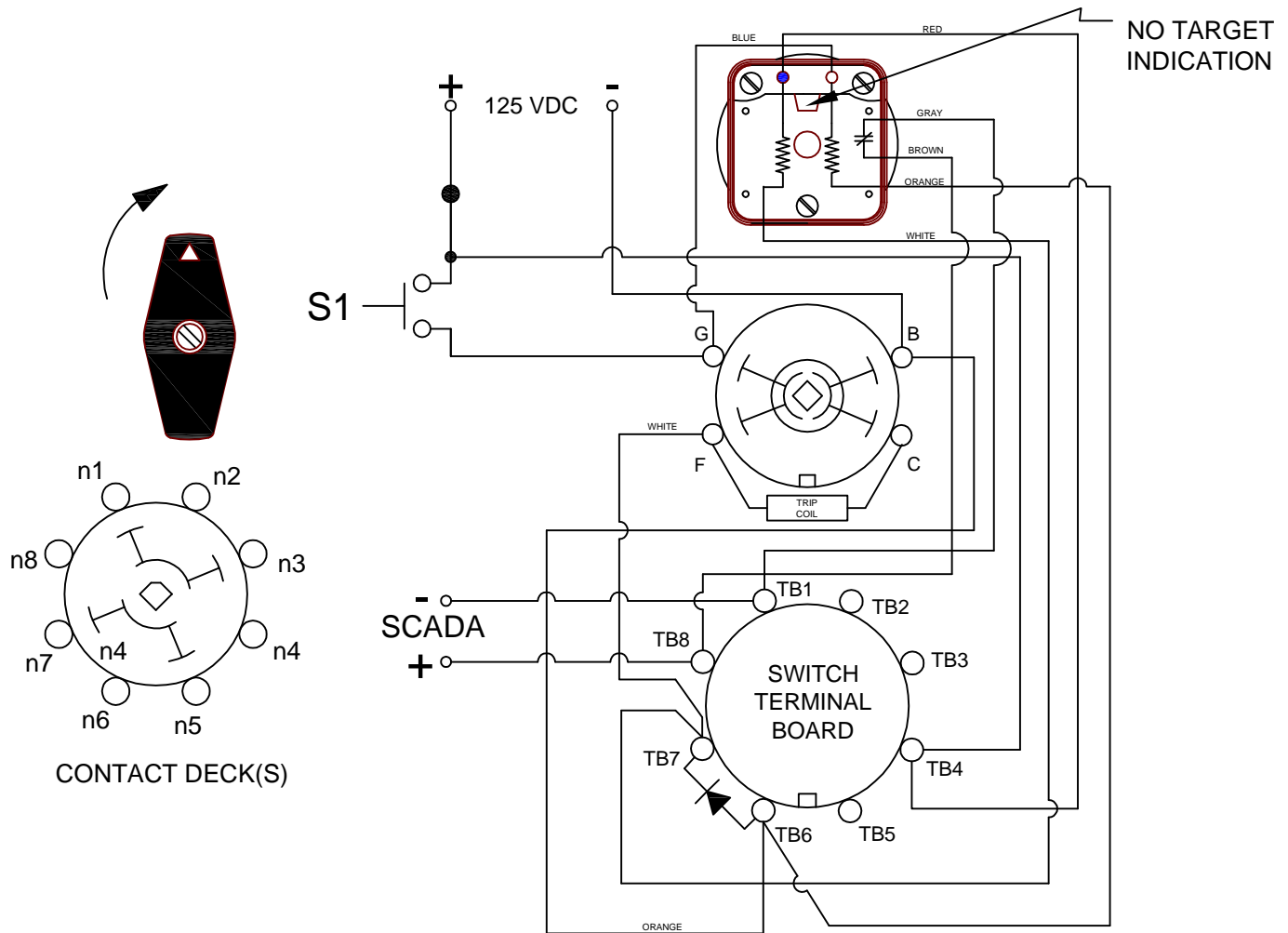
308 COMPONENTS DRIVE  
 SMITHFIELD, NC 27577 USA

## LOCK-OUT RELAYS (LOR)

### GENERAL OPERATION:

THE HANDLE OF THE LOR MUST BE MANUALLY ROTATED CLOCKWISE TO PLACE THE UNIT IN THE "RESET" POSITION (SEE FIGURE A)

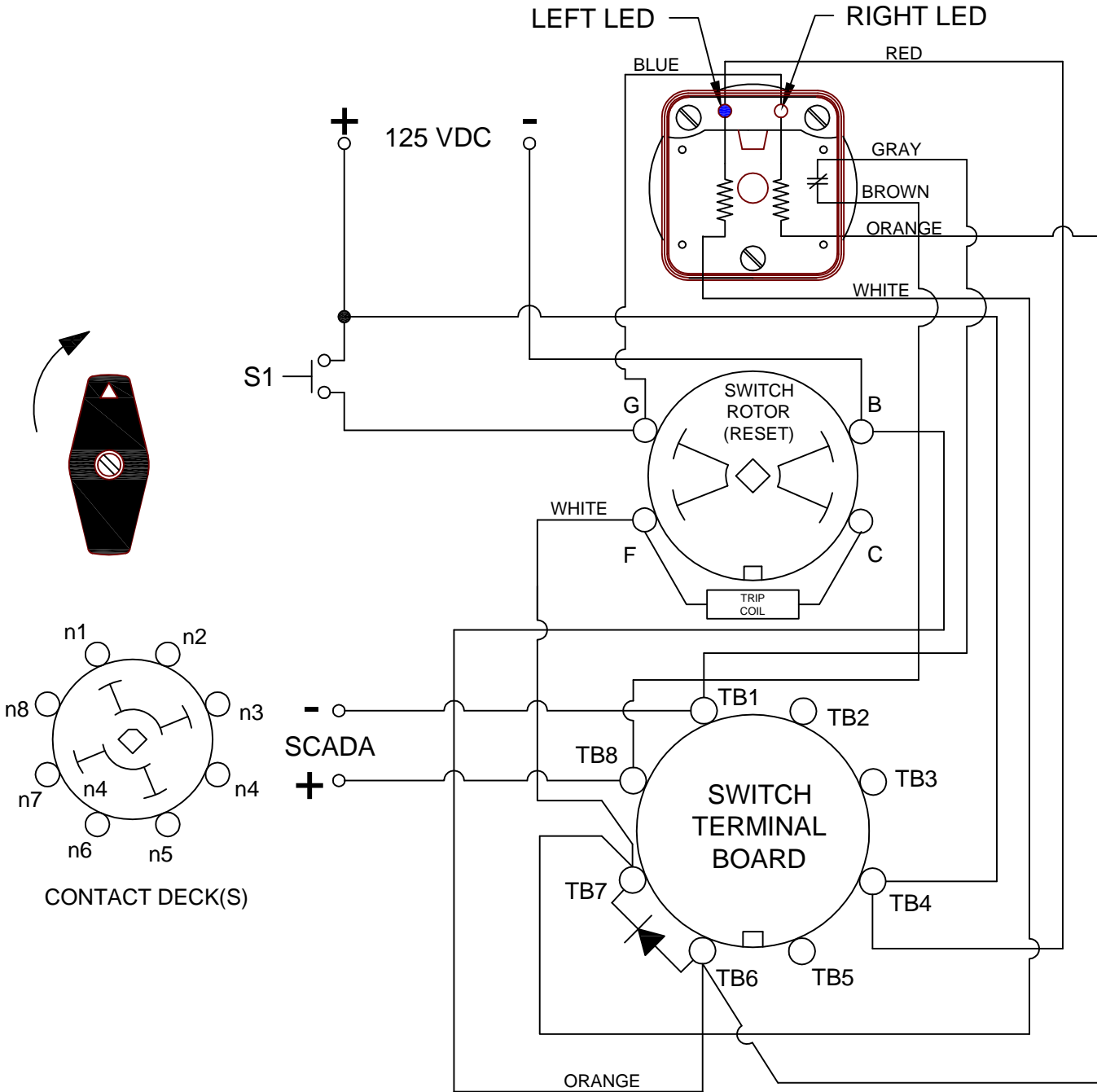
FIGURE A - RESET POSITION



## LED INDICATION

CONDITION #1	
ROTOR	RESET (AS SHOWN)
SWITCH 1 (S1)	OPEN

RESULT	
LEFT LED	ON
RIGHT LED	OFF
SCADA CIRCUIT TRIP COIL MONITOR	OPEN



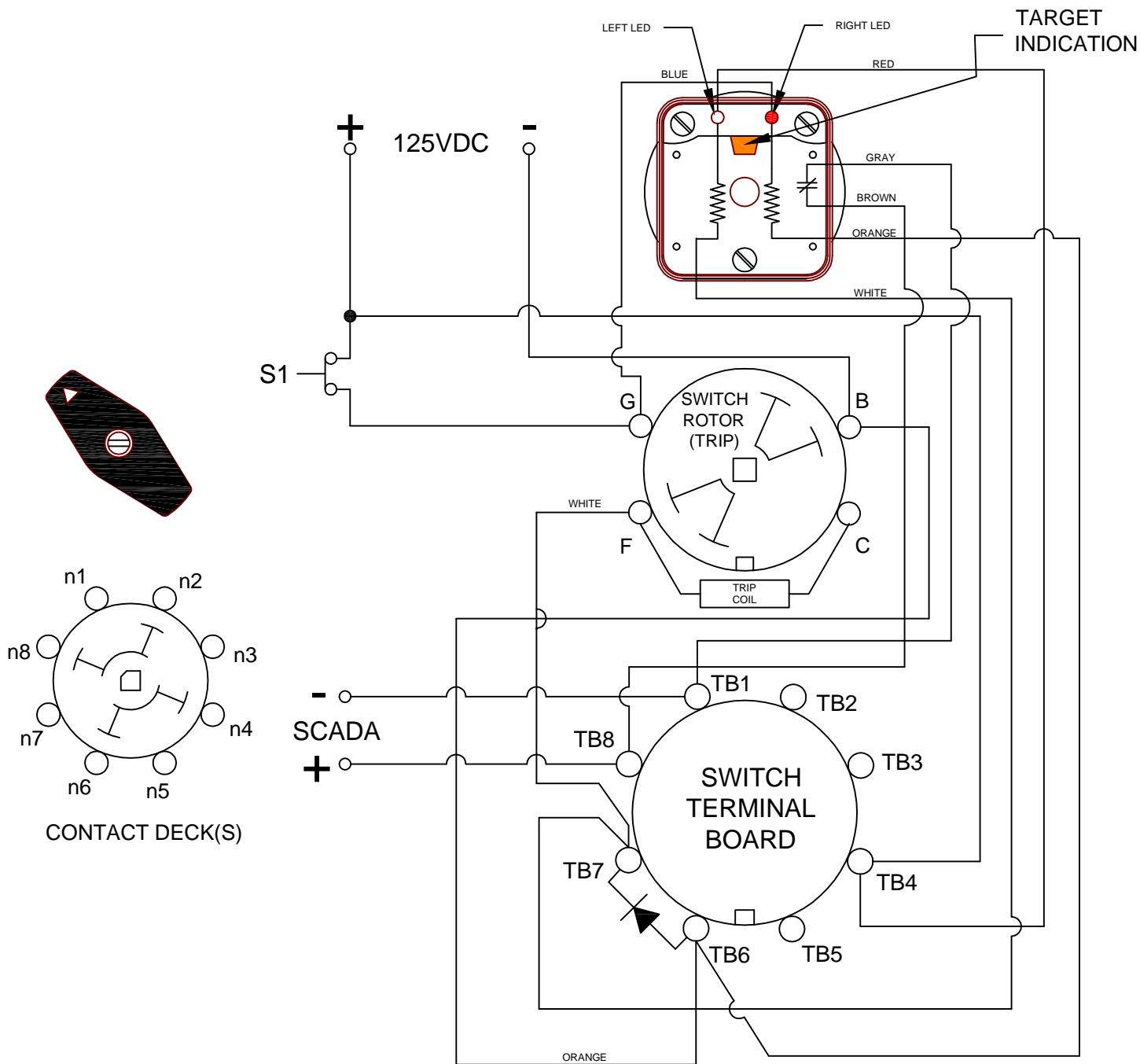
# 7604D 125VDC EXA

## LED INDICATION

CONDITION #2	
ROTOR	RESET (AS SHOWN)
SWITCH 1 (S1)	CLOSED

RESULT	
LEFT LED	OFF
RIGHT LED	ON
SCADA SWITCH	CLOSED

WHEN S1 CLOSSES, THE COIL CAUSES A MECHANICAL ROTATION OF THE RELAY RESULTING IN THE SWITCH ROTOR ADVANCE TO THE "TRIP" POSITION SHOWN



## LOCK-OUT RELAY SPECIFICATION SHEET

## 7604D 125VDC EXA

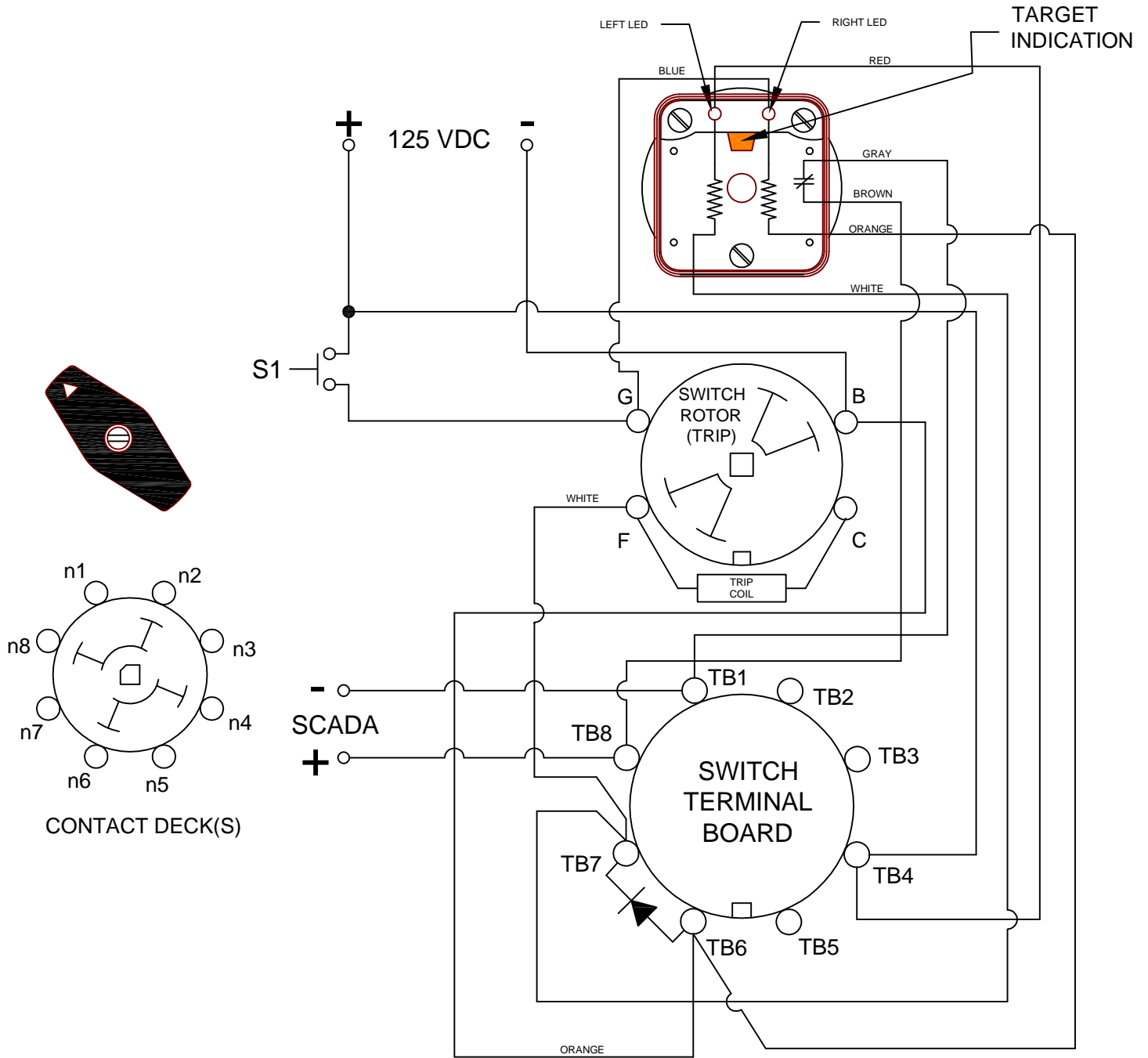
# 7604D 125VDC EXA

## LED INDICATION

CONDITION #2	
ROTOR	RESET (AS SHOWN)
SWITCH 1 (S1)	OPEN

RESULT	
LEFT LED	OFF
RIGHT LED	OFF
SCADA SWITCH	CLOSED

WHEN S1 CLOSSES, THE COIL CAUSES A MECHANICAL ROTATION OF THE RELAY RESULTING IN THE SWITCH ROTOR ADVANCE TO THE "TRIP" POSITION SHOWN



## LOCK-OUT RELAY SPECIFICATION SHEET