

DESCRIPTION:



308 COMPONENTS DRIVE
SMITHFIELD, NC 27577 USA

SHALLCO SERIES 16 KEYLOCK SWITCH

PART NO: 16L2-B-1-1

NO. OF SECTIONS: 1

NO. OF POSITIONS: 3, 1 POSITION BOTH CLOCKWISE
AND COUNTER-CLOCKWISE WITH SPRING RETURN
TO CENTER (REST) -

INDEXING: 45°

CIRCUIT: L (SEE DIAGRAM)

TYPE ACTION: NON-SHORTING

DETENT: STANDARD

STOPS INSTALLED: YES

TERMINALS: SCREW TYPE, HARDWARE SUPPLIED

MOUNTING HARDWARE: SUPPLIED

ELECTRICAL RATINGS:

15 A @ 125 VAC

5 A @ 250 VAC

3 A @ 600 VAC

5 A @ 30 VDC

1 A @ 125 VDC

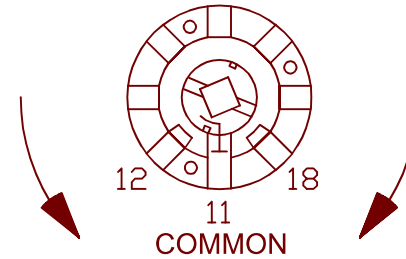


DIELECTRIC WITHSTANDING VOLTAGE: 1500 VRMS

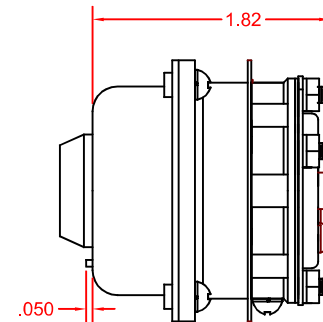
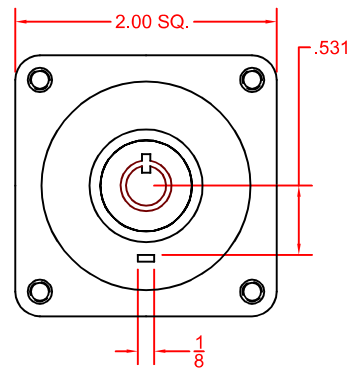
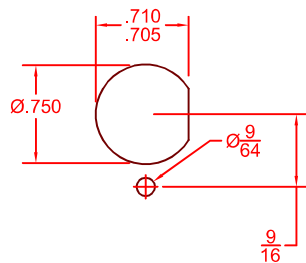
CONTACT RESISTANCE: 10 MILLIOHMS MAX. INITIAL

INSULATION RESISTANCE: 1000 MEGHOHMS, INITIAL

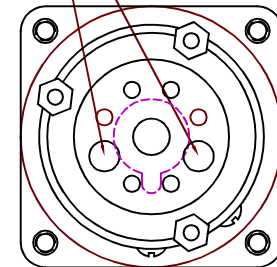
DECK	CONTACTS	POSITION		
		CCW	CENTER	CW
1				



MTG. HOLE DETAIL



INSTALL STOPS
IN #2 & 7



DESCRIPTION

16L2-B-1-1



308 COMPONENTS DRIVE
SMITHFIELD, NC 27577 USA