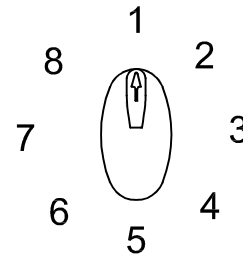
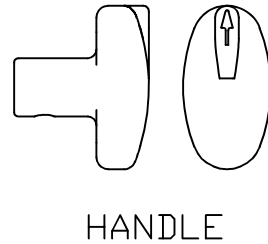


SHALLCO SERIES 16 SWITCH



PART NO: 16C4-B-8-B

NO. OF SECTIONS: 8
 INDEXING: 45°
 CIRCUIT: C (SEE TABLE)
 TYPE ACTION: NON-SHORTING
 DETENT: STANDARD
 STOPS INSTALLED: NO
 TERMINALS: SCREW TYPE, HARDWARE SUPPLIED
 MOUNTING HARDWARE: SUPPLIED



ELECTRICAL RATINGS:

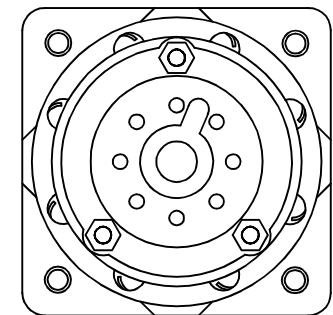
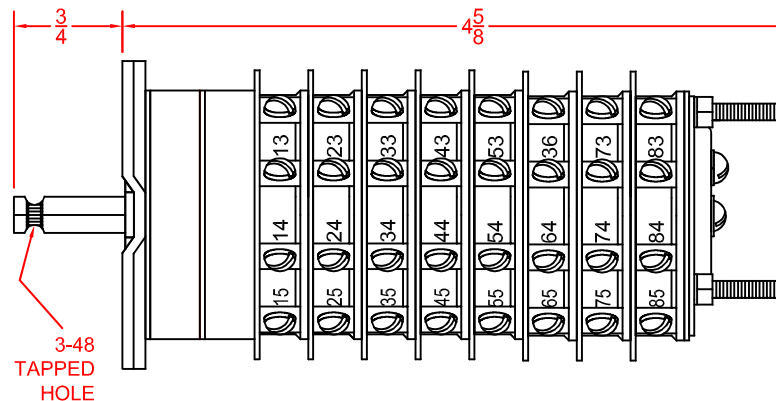
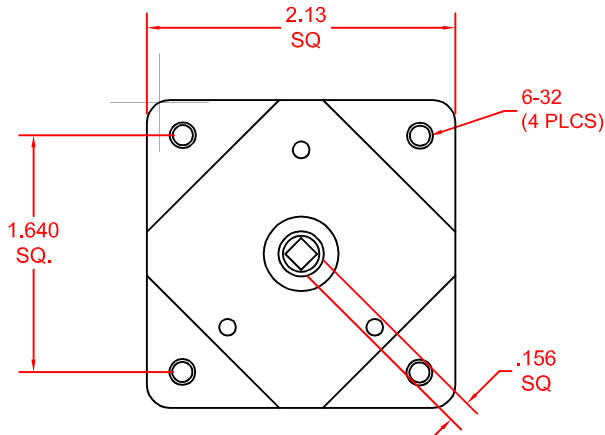
- 15 A @ 125 VAC
- 5 A @ 250 VAC
- 3 A @ 600 VAC
- 5 A @ 30 VDC
- 1 A @ 125 VDC



DIELECTRIC WITHSTANDING VOLTAGE: 1500 VRMS
 CONTACT RESISTANCE: 10 MILLIOHMS MAX. INITIAL
 INSULATION RESISTANCE: 1000 MEGHOHMS, INITIAL

INDEX	CONTACTS	POSITION							
		1	2	3	4	5	6	7	8
1	11-12	X							
	12-13		X						
	13-14			X					
	14-15				X				
	15-16					X			
	16-17						X		
	17-18							X	
	18-11								X
2	21-22								X
	22-23								
	23-24								
	24-25								
	25-26								
	26-27								
	27-28								
	28-21								
3	31-32								
	32-33								
	33-34								
	34-35								
	35-36								
	36-37								
	37-38								
	38-31								
4	41-42								
	42-43								
	43-44								
	44-45								
	45-46								
	46-47								
	47-48								
	48-41								

INDEX	CONTACTS	POSITION							
		1	2	3	4	5	6	7	8
5	51-52	X							
	52-53		X						
	53-54			X					
	54-55				X				
	55-56					X			
	56-57						X		
	57-58							X	
	58-51								X
6	61-62								X
	62-63								
	63-64								
	64-65								
	65-66								
	66-67								
	67-68								
	68-61								
7	71-72								
	72-73								
	73-74								
	74-75								
	75-76								
	76-77								
	77-78								
	78-71								
8	81-82								
	82-83								
	83-84								
	84-85								
	85-86								
	86-87								
	87-88								
	88-81								



DESCRIPTION

16C4-B-8-B

REV -



308 COMPONENTS DRIVE
 SMITHFIELD, NC 27577 USA