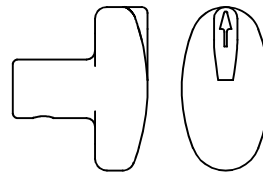


SHALLCO SERIES 16 SWITCH



PART NO: 16C4-B-4-B

NO. OF SECTIONS: 4
 INDEXING: 45°
 CIRCUIT: C (SEE TABLE)
 TYPE ACTION: NON-SHORTING
 DETENT: STANDARD
 STOPS INSTALLED: NO
 TERMINALS: SCREW TYPE, HARDWARE SUPPLIED
 MOUNTING HARDWARE: SUPPLIED



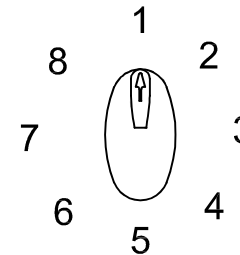
HANDLE

ELECTRICAL RATINGS:

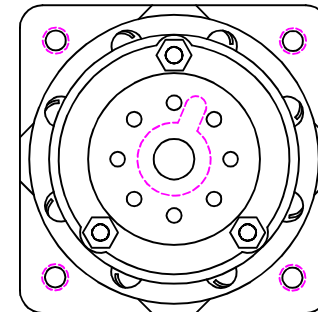
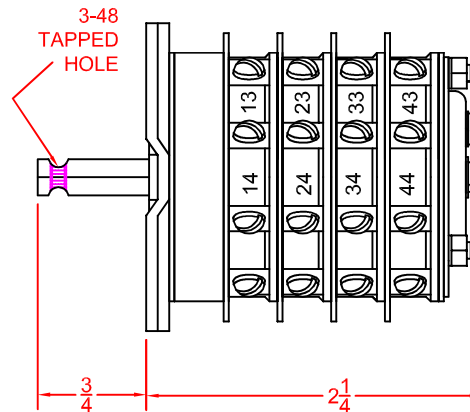
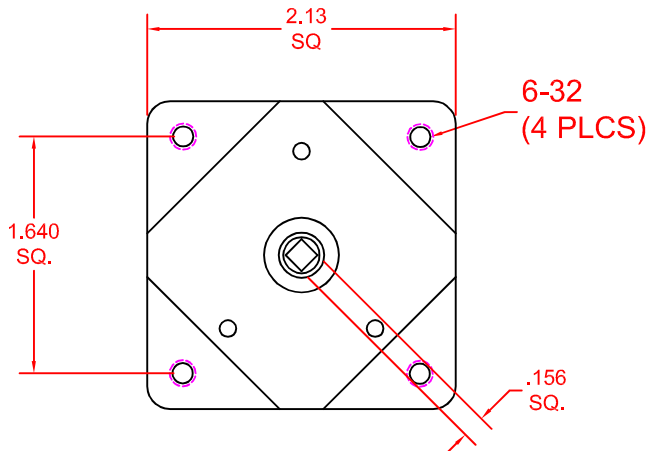
- 15 A @ 125 VAC
- 5 A @ 250 VAC
- 3 A @ 600 VAC
- 5 A @ 30 VDC
- 1 A @ 125 VDC



DIELECTRIC WITHSTANDING VOLTAGE: 1500 VRMS
 CONTACT RESISTANCE: 10 MILLIOHMS MAX. INITIAL
 INSULATION RESISTANCE: 1000 MEGHOHMS, INITIAL



DECK	CONTACTS	POSITION							
		1	2	3	4	5	6	7	8
1	11 — 12								
	12 — 13								
	13 — 14								
	14 — 15								
	15 — 16								
	16 — 17								
	17 — 18								
	18 — 11								
2	21 — 22								
	22 — 23								
	23 — 24								
	24 — 25								
	25 — 26								
	26 — 27								
	27 — 28								
	28 — 21								
3	31 — 32								
	32 — 33								
	33 — 34								
	34 — 35								
	35 — 36								
	36 — 37								
	37 — 38								
	38 — 31								
4	41 — 42								
	42 — 43								
	43 — 44								
	44 — 45								
	45 — 46								
	46 — 47								
	47 — 48								
	48 — 41								



DESCRIPTION	16C4-B-4-B	REV -
308 COMPONENTS DRIVE SMITHFIELD, NC 27577 USA		