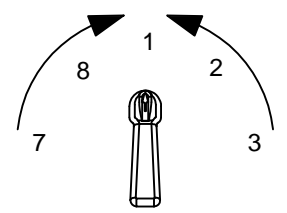


SHALLCO SERIES 16 SWITCH
 PART NO: 16C4-B-1SR-D
 NO. OF SECTIONS: 1
 NO. OF POSITIONS: UP TO 2 POSITIONS BOTH
 CLOCKWISE AND
 COUNTERCLOCKWISE WITH
 SPRING RETURN TO CENTER



INDEXING: 45°
 CIRCUIT: C (SEE CONTACT TABLE)
 TYPE ACTION: NONSHORTING
 DETENT: STANDARD
 STOPS INSTALLED: NO
 TERMINALS: SCREW TYPE, HARDWARE SUPPLIED
 PHENOLIC OVAL KNOB: SUPPLIED
 MOUNTING HARDWARE: SUPPLIED

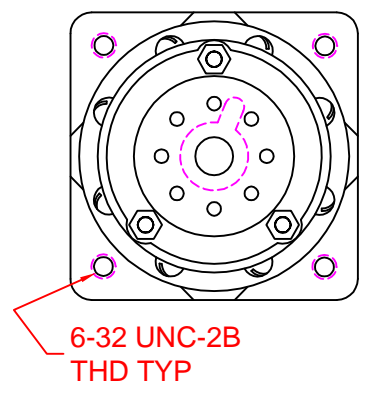
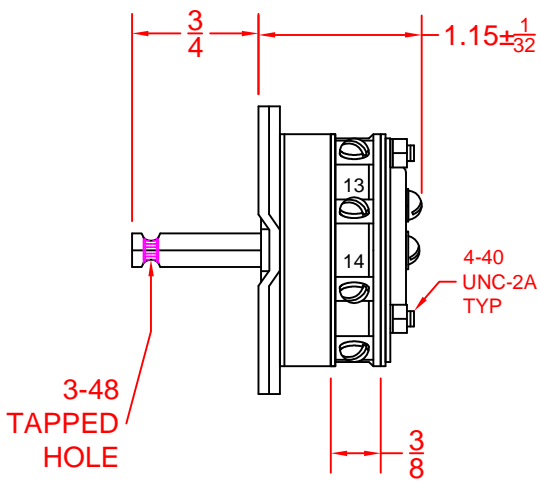
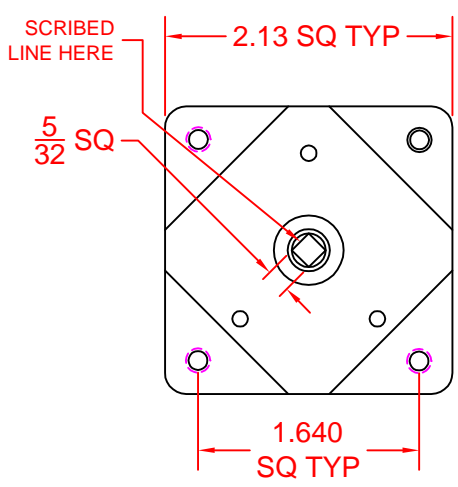
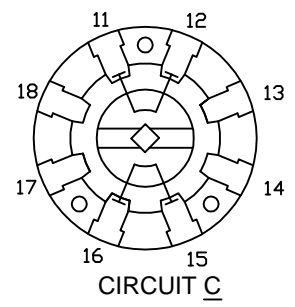
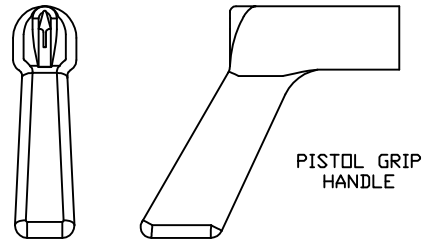
DECK	CONTACTS	POSITION				
		7	8	1	2	3
1	11 — — 12			X		
	12 — — 13				X	
	13 — — 14	X				
	14 — — 15			X		
	15 — — 16				X	
	16 — — 17					X
	17 — — 18	X				
	18 — — 11		X			

"X" DENOTES CONTACT CLOSURE

ELECTRICAL RATINGS:
 15 A @ 125 VAC
 5 A @ 250 VAC
 3 A @ 600 VAC
 5 A @ 30 VDC
 1 A @ 125 VDC



DIELECTRIC WITHSTANDING VOLTAGE: 1500 VRMS
 CONTACT RESISTANCE: 10 MILLIOHMS MAX. INITIAL
 INSULATION RESISTANCE: 1000 MEGHOHMS, INITIAL



DESCRIPTION
16C4-B-1SR-D