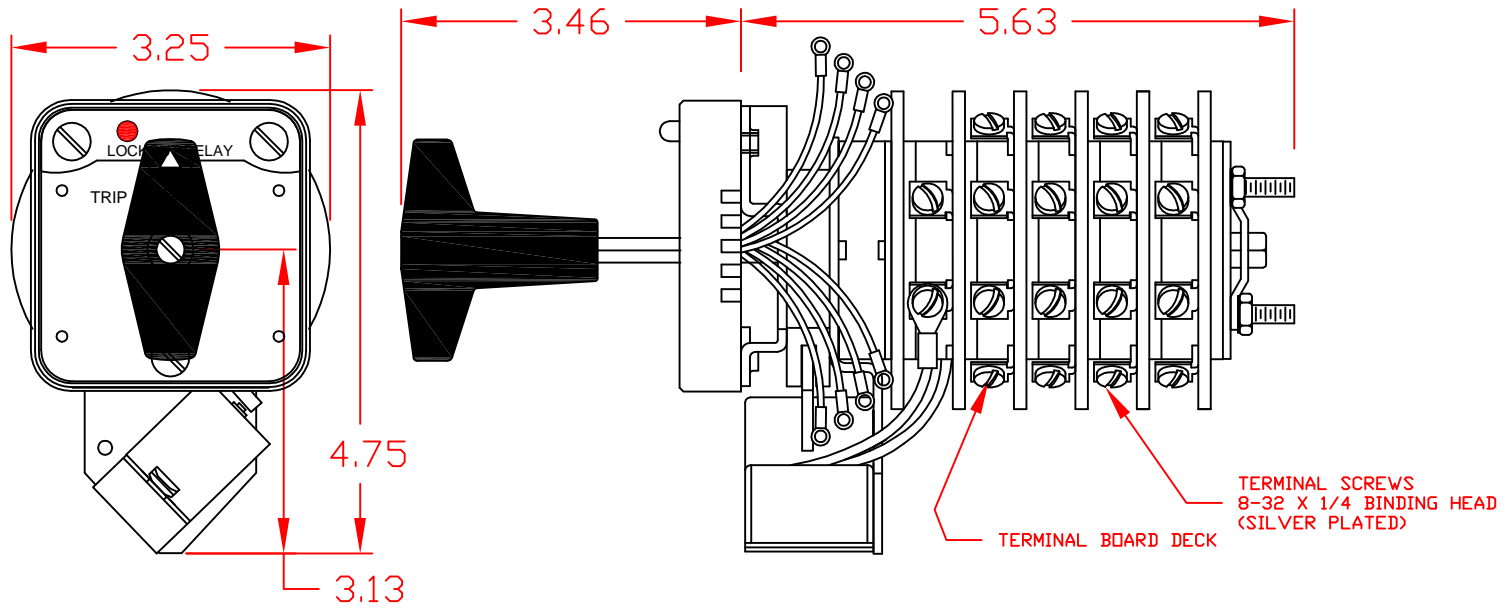


7603E 125VDCAXX



SPECIFICATIONS:

NO. OF POSITIONS: 2, TRIP AND RESET

NO. OF SECTIONS: 3

CONTACTS: 2 NORMALLY OPEN
2 NORMALLY CLOSED
PER DECK

ACTION: 45° POSITIVE TRIP DETENT

STATIONARY CONTACTS : SILVER OVER COPPER

NAMEPLATE: AS SHOWN

COIL SPECIFICATIONS:

OPERATING VOLTAGE: 125 VDC

THRESHOLD VOLTAGE: 23VDC

OPERATING RANGE: 45 - 140 VDC

CURRENT AT RATED VOLTAGE: 2.5 AMPS

ELECTRICAL RATINGS:

25 A/120 VAC 3 A/ 125 VDC

15 A/600 VAC 1 A/ 250 VDC

20 A/600 VAC (RESISTIVE)

OVERLOAD CURRENT (50 OPERATIONS):

95 A/120 VAC

65 A/240 VAC

35 A/600 VAC

DIELECTRIC STRENGTH: 2200 VRMS

INSULATION RESISTANCE: 100 MEGOHMS INITIAL

CONTACT RESISTANCE: 10 MILLIOHMS MAX. INITIAL

DECK	CONTACTS	POSITION	
		TRIP	RESET
1	11 ◯ — — ◯ 13		✗
	12 ◯ — — ◯ 18	✗	
	15 ◯ — — ◯ 17		✗
	16 ◯ — — ◯ 14	✗	
2	21 ◯ — — ◯ 23		✗
	22 ◯ — — ◯ 28	✗	
	25 ◯ — — ◯ 27		✗
	26 ◯ — — ◯ 24	✗	
3	31 ◯ — — ◯ 33		✗
	32 ◯ — — ◯ 38	✗	
	35 ◯ — — ◯ 37		✗
	36 ◯ — — ◯ 34	✗	

DESCRIPTION

LOCK-OUT RELAY SPECIFICATION SHEET

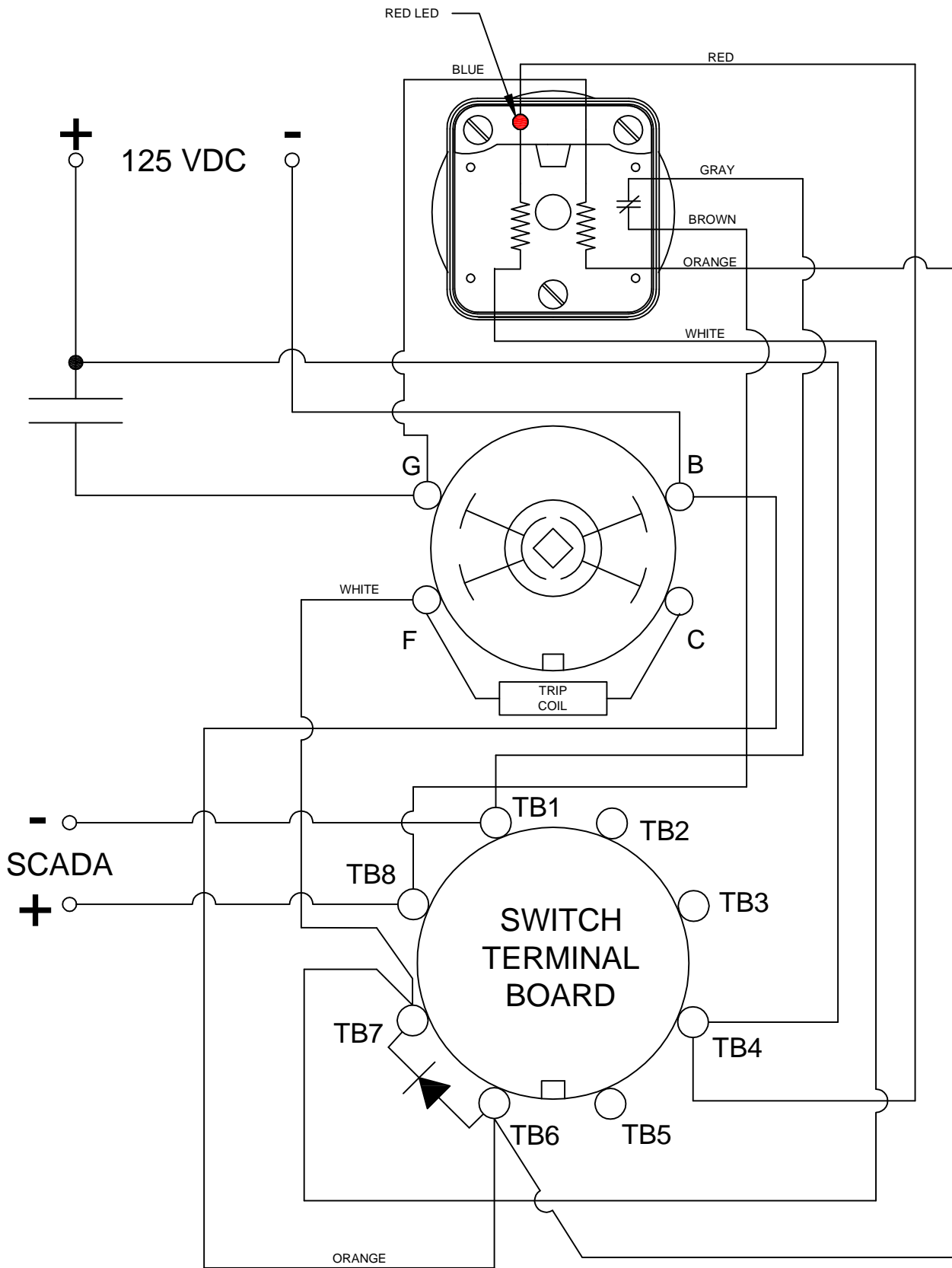
PART NUMBER

7603E 125VDCAXX



308 COMPONENTS DRIVE
SMITHFIELD, NC 27577 USA

7603E 125VDCAXX



DESCRIPTION

LIGHTED ESCUTCHEON PANEL
WIRING DIAGRAM

PART NUMBER

7603E 125VDCAXX

7603E 125VDCAXX

LOCK-OUT RELAYS (LOR)

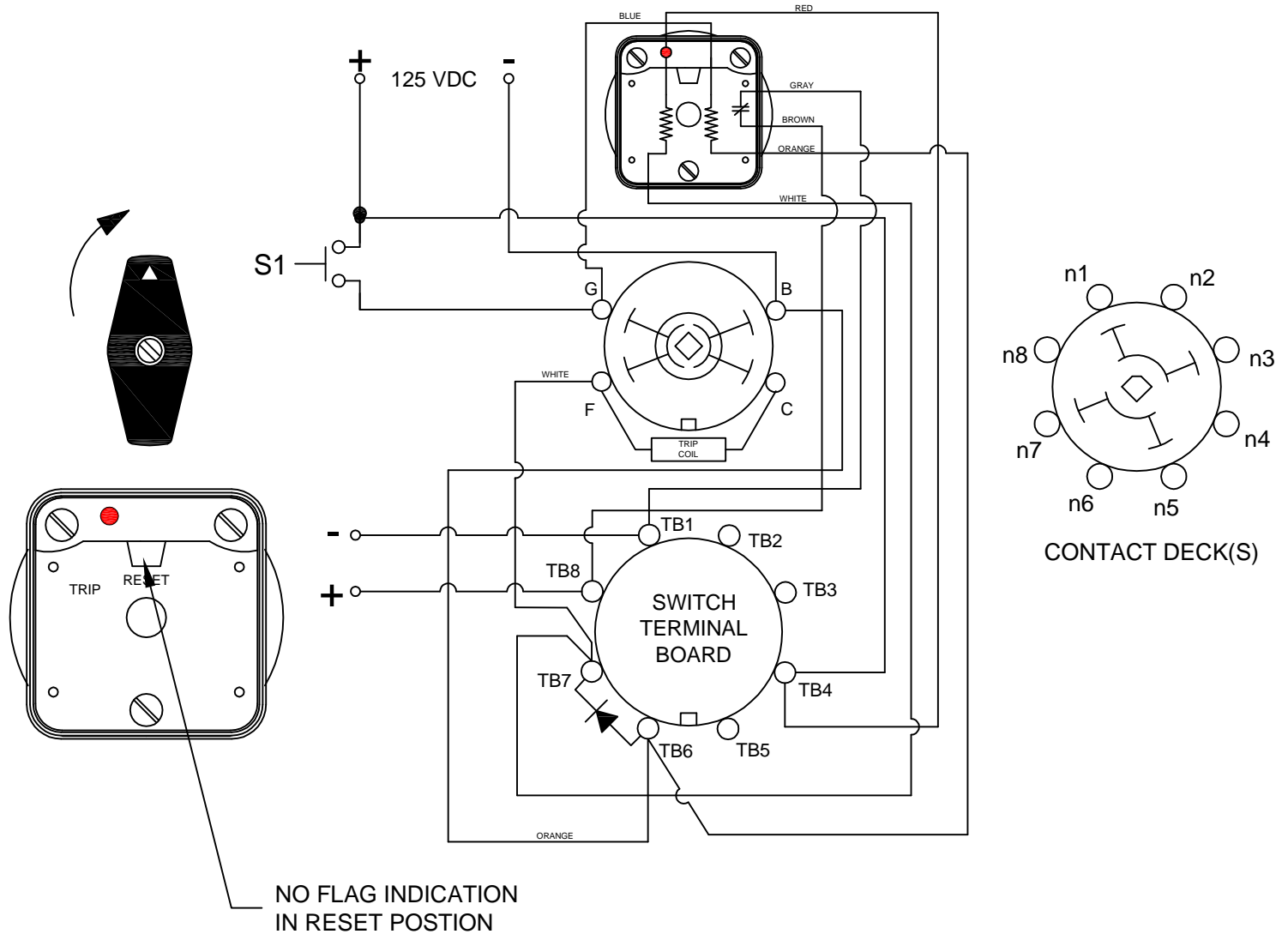
GENERAL OPERATION:

THE HANDLE OF THE LOR MUST BE MANUALLY ROTATED CLOCKWISE TO PLACE THE UNIT IN THE "RESET" POSITION (SEE FIGURE A)

CONDITION #1	
ROTOR	RESET (AS SHOWN)
SWITCH 1 (S1)	OPEN

RESULT	
LEFT LED	ON
SCADA CIRCUIT TRIP COIL MONITOR)	OPEN

FIGURE A - RESET POSITION



DESCRIPTION

LOCK-OUT RELAY SPECIFICATION SHEET

PART NUMBER

7603E 125VDCAXX



308 COMPONENTS DRIVE
SMITHFIELD, NC 27577 USA

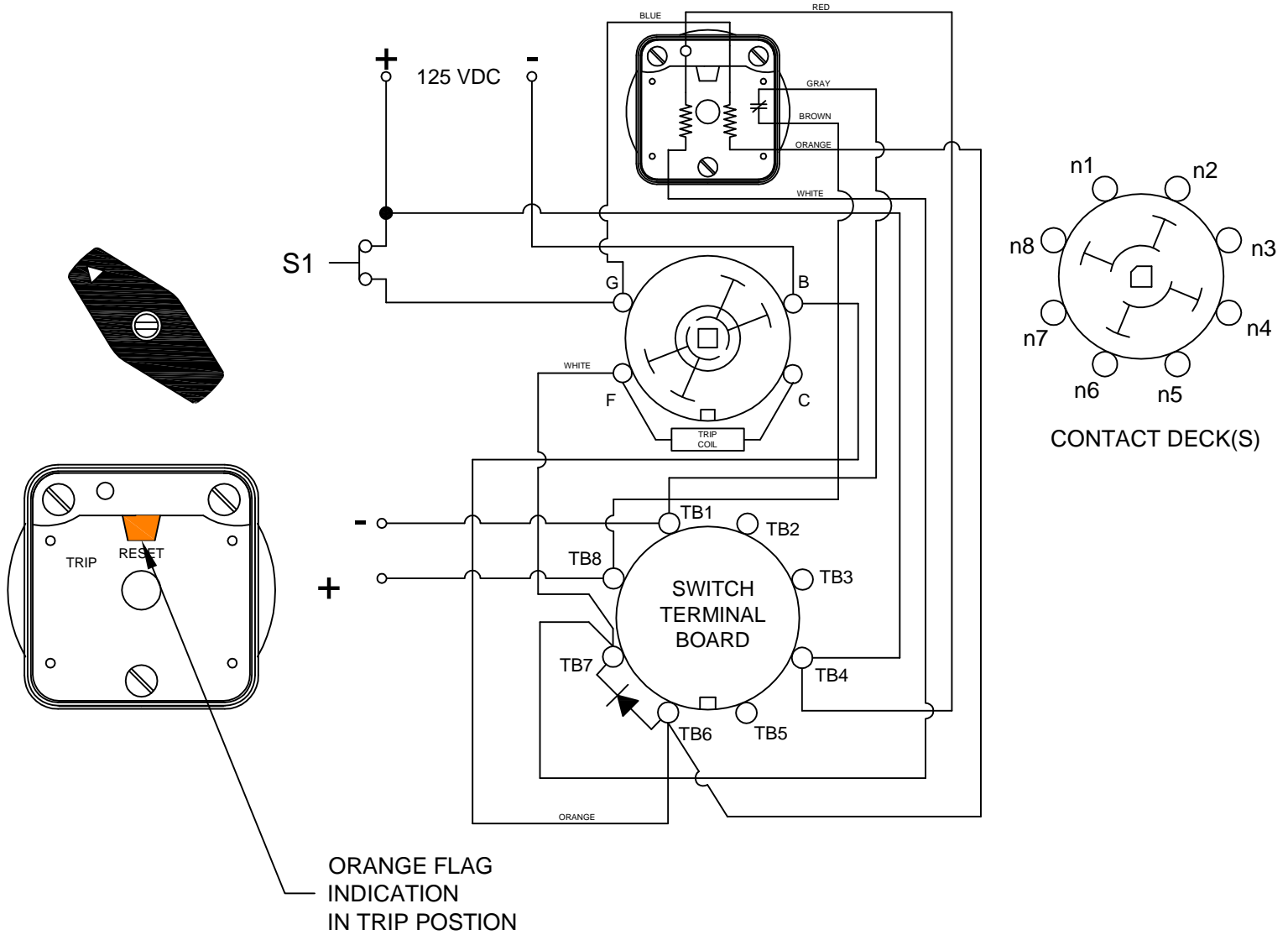
PAGE 3 OF 5

CONDITION #2	
ROTOR	TRIP (AS SHOWN)
SWITCH 1 (S1)	CLOSED

RESULT	
LEFT LED	OFF
SCADA SWITCH	CLOSED

WHEN S1 CLOSES, THE COIL CAUSES A MECHANICAL ROTATION OF THE RELAY RESULTING IN THE SWITCH ROTOR ADVANCE TO THE "TRIP" POSITION SHOWN

FIGURE B - TRIP POSITION



DESCRIPTION
LOCK-OUT RELAY SPECIFICATION SHEET

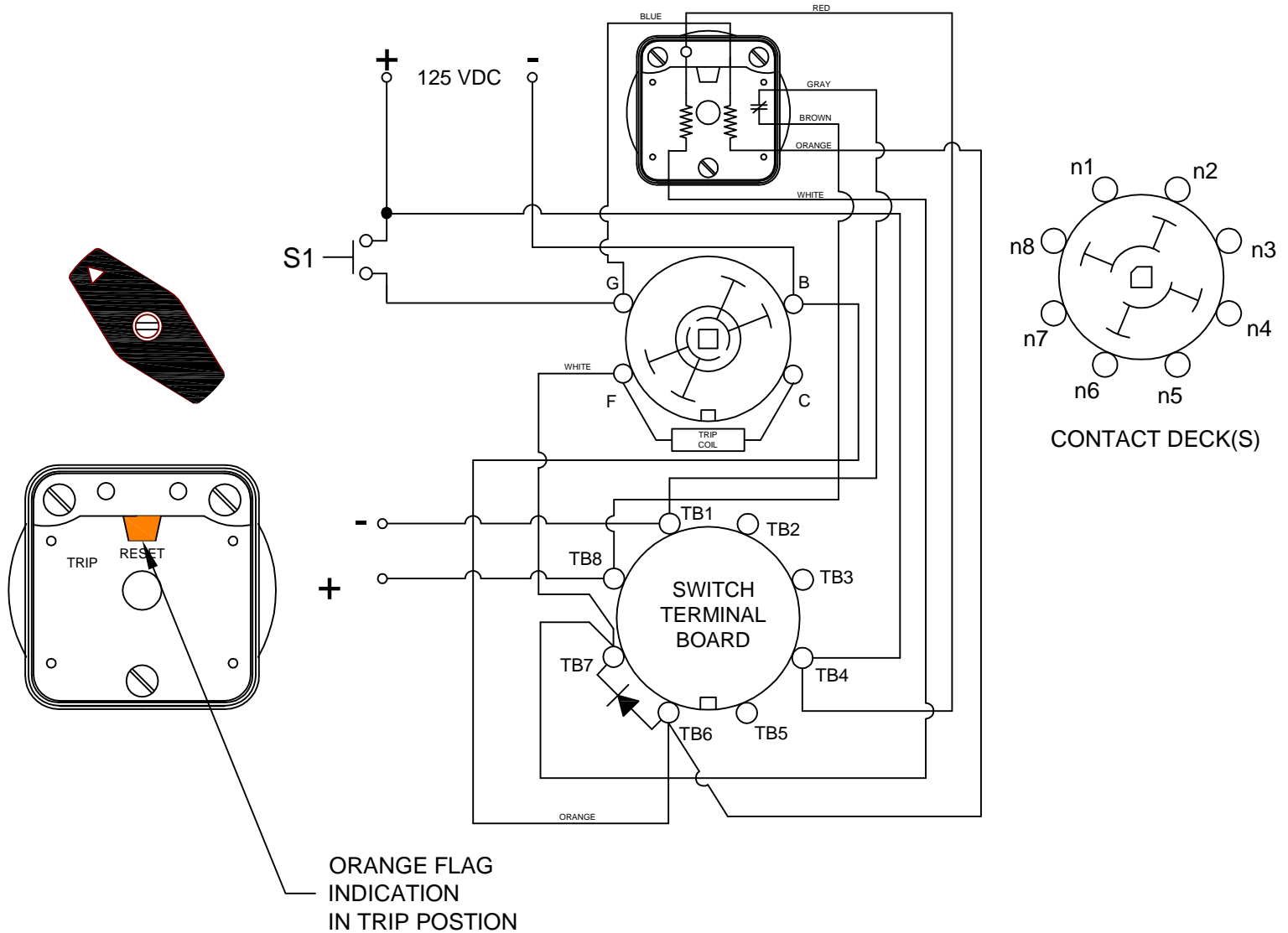
PART NUMBER
7603E 125VDCAXX

CONDITION #2	
ROTOR	RESET (AS SHOWN)
SWITCH 1 (S1)	OPEN

RESULT	
LEFT LED	OFF
SCADA SWITCH	CLOSED

WHEN S1 CLOSSES, THE COIL CAUSES A MECHANICAL ROTATION OF THE RELAY RESULTING IN THE SWITCH ROTOR ADVANCE TO THE "TRIP" POSITION SHOWN

FIGURE B - TRIP POSITION



DESCRIPTION

LOCK-OUT RELAY SPECIFICATION SHEET

PART NUMBER

7603E 125VDCAXX