

**SHALLCO SERIES 26**  
**Part Number: 2638D 24VDCAXC**



**General:**

Meets requirements for 1 - 25 ampere switching of resistive loads to .75 power factor at voltages to 600 VAC and 250 VDC resistive loads

**Electrical:**

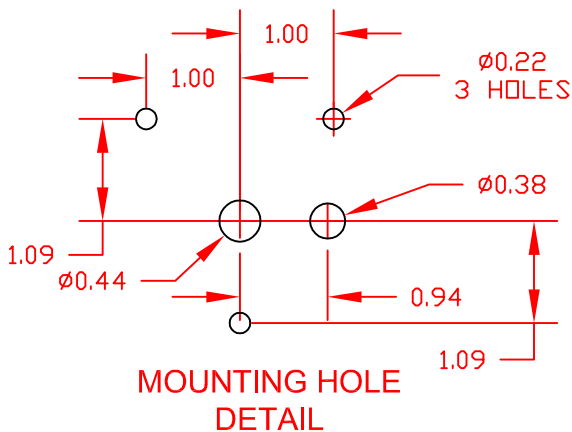
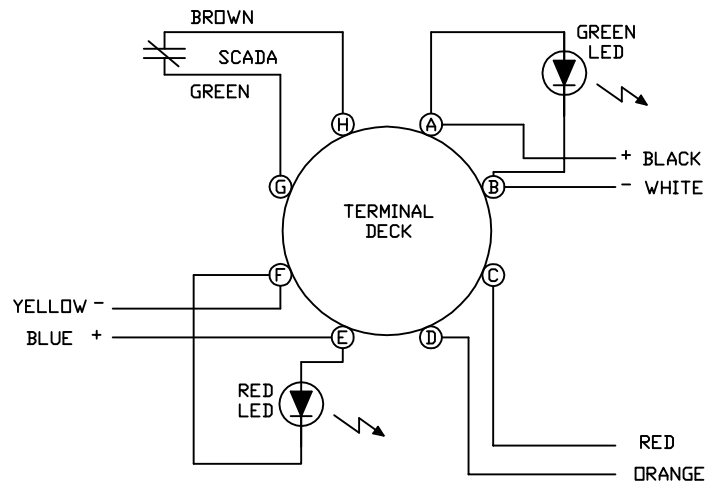
- \* Ratings:  
 25A/120 VAC  
 15A/600 VAC  
 20A/600 VAC (RESISTIVE)  
 3A/125 VDC  
 1A/250 VDC
- \* Current carrying capacity: 25 amperes
- \* Dielectric Withstanding Voltage: 2200 Vrms
- \* Contact Resistance: Initial, 10 milliohms max.
- \* Insulation Resistance: 100 Megohms min., initial
- \* Switch is supplied with a lighted escutcheon plate:  
 Input voltage: 125 VDC (20 - 140 VDC)  
 120 VAC (100 - 140 VAC)
- Wiring: As shown

**Mechanical:**

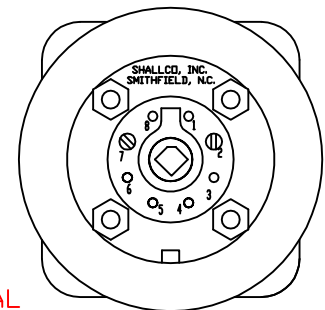
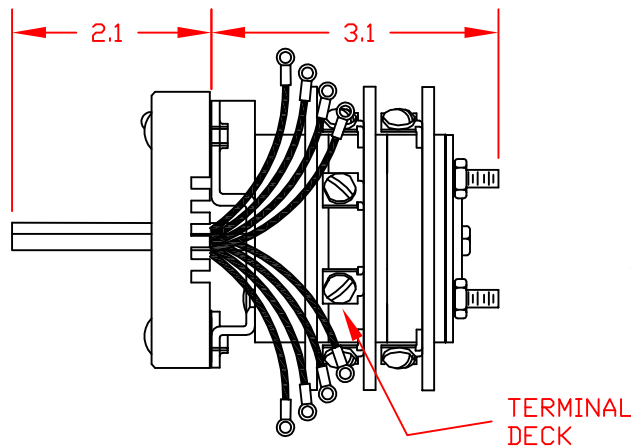
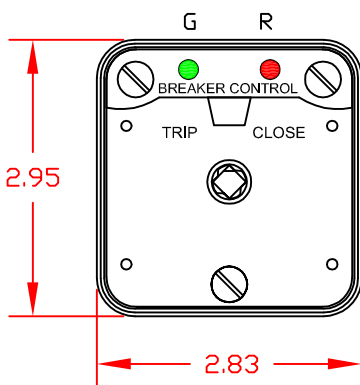
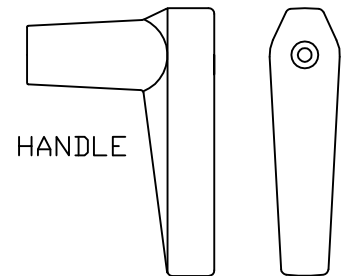
- \* Sections: 2
- \* Positions: 2, Spring Return to Center (Off)
- \* Indexing: 45°
- \* Rotational Life: 65,000 operations

**Materials and Finishes:**

- \* Rotors and Stators: Thermoset Plastic, UL 94VO
- \* Rotor contacts: Phosphor bronze
- \* Stator contacts: Silver plated copper, screw type
- \* Terminal hardware: silver plated brass
- \* Exterior Metal: Steel with zinc chromate finish
- \* Knob: thermoset phenolic



| CONTACT | POSITION |        |       |
|---------|----------|--------|-------|
|         | TRIP     | NORMAL | CLOSE |
| 11 - 18 | X        |        |       |
| 16 - 17 |          |        | X     |



TERMINAL SCREW TIGHTENING TORQUE: : 8 IN-LBS.