

Part Number: 26101C

General:

Meets requirements for 1 - 25 ampere switching of resistive loads to .75 power factor at voltages to 600 V AC and 250 VDC resistive loads

Electrical:

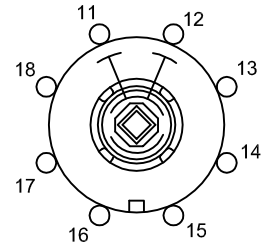
* Ratings:

- 25A/120 VAC
- 15A/600 VAC
- 20A/600 VAC (RESISTIVE)
- 3A/125 VDC
- 1A/250 VDC



CONTACT TABLE

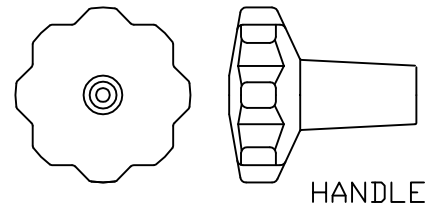
DECK	CONTACTS	POSITION								
		1	2	3	4	5	6	7	8	
1	11									X
	12								X	
	13								X	
	14								X	
	15								X	
	16								X	
	17								X	
	18								X	
										X



- * Current carrying capacity: 30 amperes
- * Dielectric Withstanding Voltage: 2200 Vrms
- * Contact Resistance: Initial, 10 milliohms max.
- * Insulation Resistance: 100 Megohms min., initial

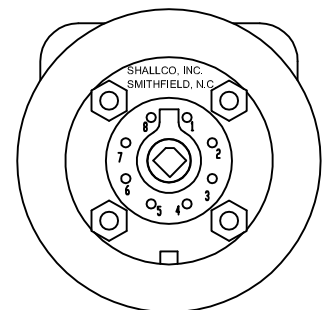
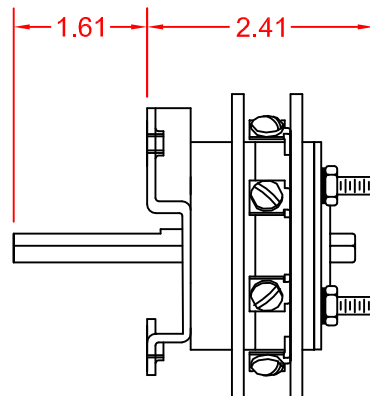
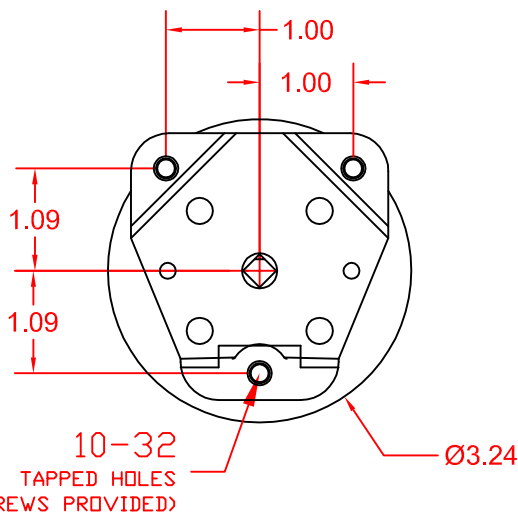
Mechanical:

- * Sections: 1
- * Positions: 8 (Adjustable)
- * Circuit: See contact table
- * Nonshorting Operation
- * Indexing: 45° positive detent
- * Rotational Life: 65,000 operations



Materials and Finishes:

- * Rotors and Stators: Thermoset Plastic, UL 94VO
- * Rotor contacts: Phosphor bronze
- * Stator contacts: Silver plated copper, screw type
- * Terminal hardware: silver plated brass
- * Exterior Metal: Steel with zinc chromate finish
- * Knob: thermoset phenolic



26101C

REV.-