

SHALLCO SERIES 26



Part Number: 26208B

General:

Meets requirements for 1 - 25 ampere switching of resistive loads to .75 power factor at voltages to 600 VAC and 250 V DC resistive loads

Electrical Ratings: 25A/120 VAC
 15A/600 VAC
 20A/600 VAC (RES)
 3A/125 VDC
 1A/250 VDC



- * Current carrying capacity: 25 amperes
- * Dielectric Withstanding Voltage: 2200 Vrms
- * Contact Resistance: Initial, 10 milliohms max.
- * Insulation Resistance: 100 Megohms min., initial

Mechanical:

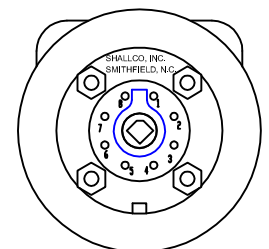
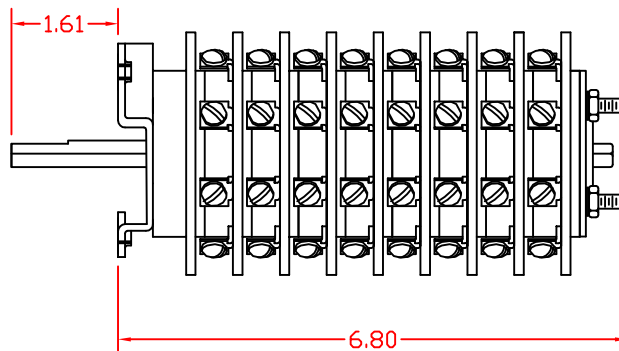
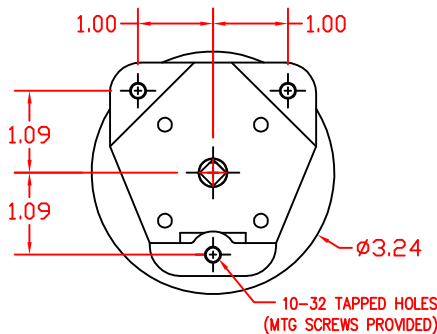
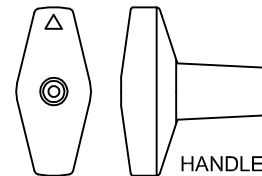
- * Sections: 8
- * Positions: 8 Adjustable (See Contact Table)
- * Indexing: 45° positive detent
- * Rotational Life: 65,000 operations

Materials and Finishes:

- * Rotors and Stators: Thermoset Plastic UL 94VO
- * Rotor contacts: Phosphor bronze
- * Stator contacts: Silver plated copper screw type
- * Terminal hardware: silver plated brass
- * Exterior Metal: Steel with zinc chromate finish

CONTACT TABLE

| SECS | CONTACTS | POSITION | | | | | | | |
|------|----------|----------|---|---|---|---|---|---|---|
| | | 1 | 2 | 3 | 4 | 5 | 6 | 7 | 8 |
| 1 | 11 | X | | | | X | | | |
| | 12 | | X | | | | | X | |
| | 13 | | | X | | | | | X |
| | 14 | | | | X | | | | |
| | 15 | | | | | X | | | |
| | 16 | | | | | | X | | |
| | 17 | | | | | | | X | |
| | 18 | | | | | | | | X |
| 2 | 21 | X | | | | X | | | |
| | 22 | | X | | | | | X | |
| | 23 | | | X | | | | | X |
| | 24 | | | | X | | | | |
| | 25 | | | | | X | | | |
| | 26 | | | | | | X | | |
| | 27 | | | | | | | X | |
| | 28 | | | | | | | | X |
| 3 | 31 | X | | | | X | | | |
| | 32 | | X | | | | | X | |
| | 33 | | | X | | | | | X |
| | 34 | | | | X | | | | |
| | 35 | | | | | X | | | |
| | 36 | | | | | | X | | |
| | 37 | | | | | | | X | |
| | 38 | | | | | | | | X |
| 4 | 41 | X | | | | X | | | |
| | 42 | | X | | | | | X | |
| | 43 | | | X | | | | | X |
| | 44 | | | | X | | | | |
| | 45 | | | | | X | | | |
| | 46 | | | | | | X | | |
| | 47 | | | | | | | X | |
| | 48 | | | | | | | | X |
| 5 | 51 | X | | | | X | | | |
| | 52 | | X | | | | | X | |
| | 53 | | | X | | | | | X |
| | 54 | | | | X | | | | |
| | 55 | | | | | X | | | |
| | 56 | | | | | | X | | |
| | 57 | | | | | | | X | |
| | 58 | | | | | | | | X |
| 6 | 61 | X | | | | X | | | |
| | 62 | | X | | | | | X | |
| | 63 | | | X | | | | | X |
| | 64 | | | | X | | | | |
| | 65 | | | | | X | | | |
| | 66 | | | | | | X | | |
| | 67 | | | | | | | X | |
| | 68 | | | | | | | | X |
| 7 | 71 | X | | | | X | | | |
| | 72 | | X | | | | | X | |
| | 73 | | | X | | | | | X |
| | 74 | | | | X | | | | |
| | 75 | | | | | X | | | |
| | 76 | | | | | | X | | |
| | 77 | | | | | | | X | |
| | 78 | | | | | | | | X |
| 8 | 81 | X | | | | X | | | |
| | 82 | | X | | | | | X | |
| | 83 | | | X | | | | | X |
| | 84 | | | | X | | | | |
| | 85 | | | | | X | | | |
| | 86 | | | | | | X | | |
| | 87 | | | | | | | X | |
| | 88 | | | | | | | | X |



26208B

REV. A



308 COMPONENTS DRIVE
 SMITHFIELD, NC 27577 USA

CUSTOMER REFERENCE:
 TERMINAL SCREW TIGHTENING TORQUE: : 8 IN-LBS.