

SHALLCO SERIES 26 SWITCH

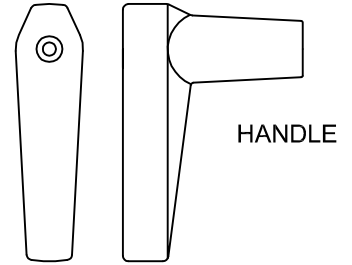


PART NUMBER: 2646D 125VDCAXC

DESCRIPTION:

NUMBER OF DECKS: 4 ACTIVE
 NUMBER OF POSITIONS: 2 SHAFT WILL SPRING RETURN TO THE CENTER REST POSITION (SEE TRUTH TABLE)
 TYPE ACTION: NONSHORTING
 DETENT TYPE: SECTIONS 1 & 2 - SPRING RETURN,
 DETENT TYPE: SECTIONS 3 & 4 - SLIP DETENT
 ESCUTCHEON PLATE: AS SHOWN
 HANDLE TYPE: D (PISTOL GRIP)

DECK	CONTACTS	POS.			
		TRIP	nat	mac	CLOSE
1	11O-II-I-O18	X			
	14O-II-I-O15	X			
2	21O-II-I-O22		X	X	
	26O-II-I-O27				X
3	32O-II-I-O33			X	X
	36O-II-I-O37			X	X
4	42O-II-I-O43			X	X
	46O-II-I-O47			X	X



SWITCH IS SUPPLIED WITH LIGHTED ESCUTCHEON PLATE
 INPUT VOLTAGE: 125 VDC
 WIRING: AS SHOWN

RATINGS:

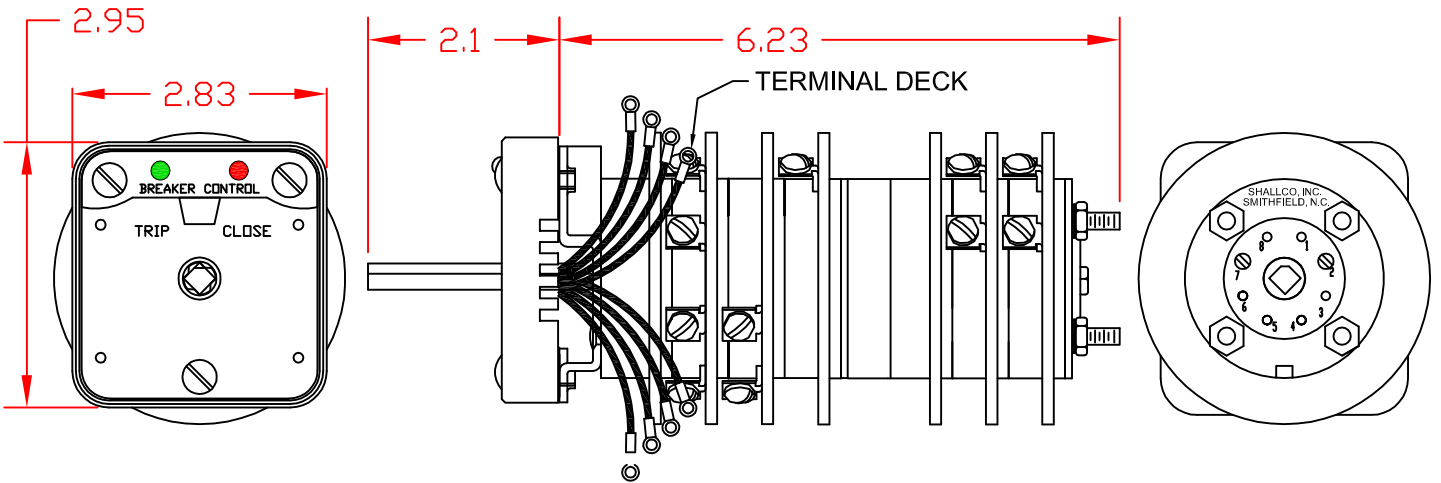
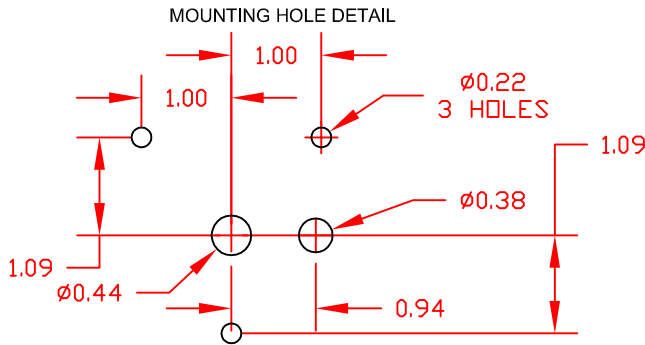
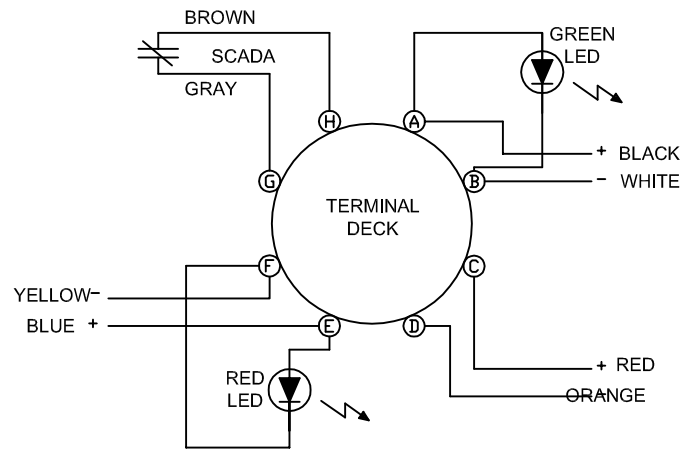
- 25A/120 VAC
- 15A/240 VAC
- 6A/600 VAC
- 3A/125 VDC
- 1A/250 VDC



DIELECTRIC STRENGTH: 2200 VRMS

INSULATION RESISTANCE: 100 MEGOHMS MINIMUM INITIAL

CONTACT RESISTANCE: 10 MILLIOHMS INITIAL



DESCRIPTION
2646D 125VDCAXC
 REV. -