

Part Number: 261001B

General:

Meets requirements for 1 - 25 ampere switching of resistive loads to .75 power factor at voltages to 600 V AC and 250 V DC resistive loads

Electrical:

- * Ratings 25A/120 VAC
- 15A/600 VAC
- 20A/600 VAC (RES)
- 3A/125 VDC
- 1A/250 VDC



- * Current carrying capacity: 25 amperes
- * Dielectric Withstanding Voltage: 2200 Vrms
- * Contact Resistance: Initial, 10 milliohms max.
- * Insulation Resistance: 100 Megohms min., initial

Mechanical:

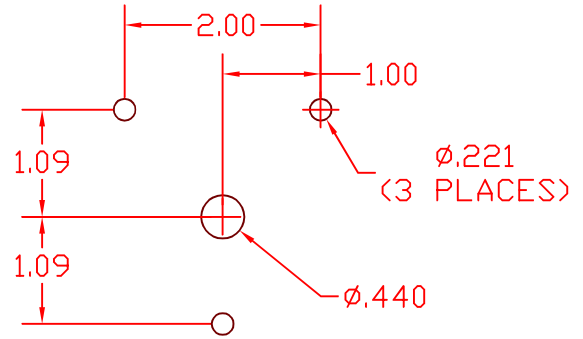
- * Sections: 1
- * Positions: 1 THRU 7 + OFF (Adjustable)
- * Indexing: 45°
- * Rotational Life: 65,000 operations

Materials and Finishes:

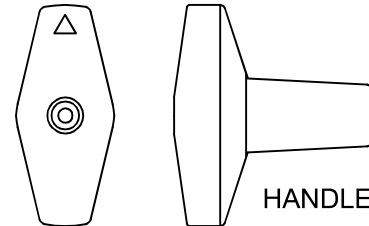
- * Rotors and Stators: Thermoset Plastic, UL 94VO
- * Rotor contacts: Phosphor bronze
- * Stator contacts: Silver plated copper, screw type
- * Terminal hardware: silver plated brass
- * Exterior Metal: Steel with zinc chromate finish
- * Knob: thermoset phenolic

CONTACT TABLE

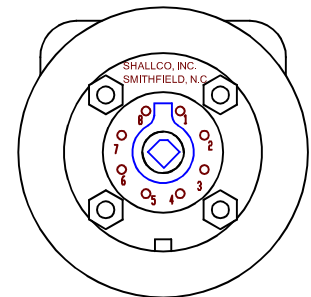
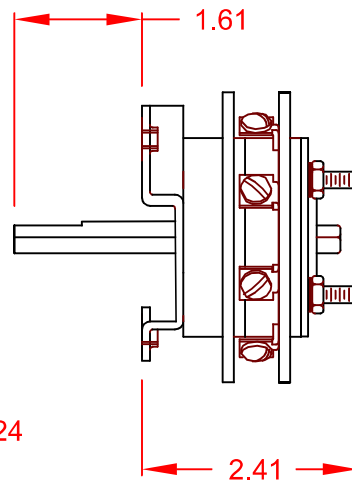
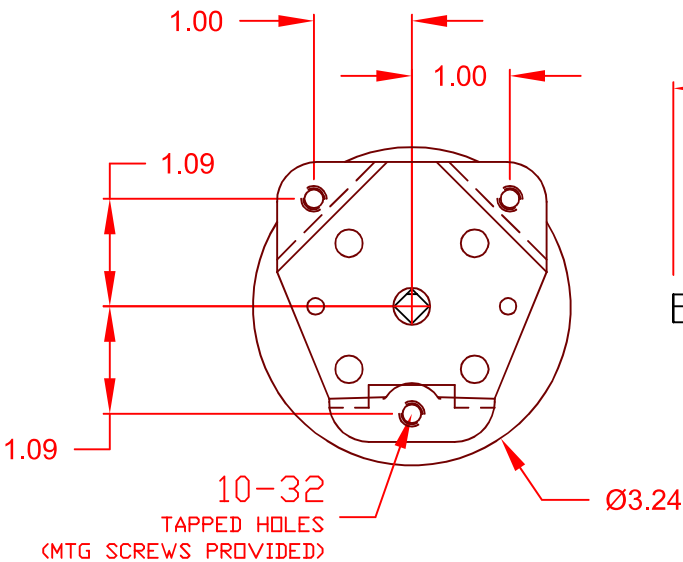
DECK	CONTACTS	POSITION							
		1	2	3	4	5	6	7	OFF
1	11		X						
	12			X					
	13				X				
	14					X			
	15						X		
	16							X	
	17								X
18									X



MOUNTING HOLE DETAIL



HANDLE



261001B