

PART NUMBER: 1B09-2A



ELECTRICAL:

RATINGS (UL):

16A @ 250 VAC 16A @ 250 VDC
7.5A @ 600 VAC
3 / 4 HP @ 240 VAC

VOLTAGE: 600 VAC, 250 VDC

SWITCHING CAPACITY: UP TO 16 AMPERES

DIELECTRIC WITHSTANDING VOLTAGE: 2500 VRMS INITIAL

CONTACT RESISTANCE: 10 MILLIOHMS MAX. (4 MILLIOHMS AVERAGE)

INSULATION RESISTANCE: 1000 MEGHOHMS MIN. INITIAL

MECHANICAL:

POLES: 9

INDEXING: 90°

TERMINAL TYPE: SCREW

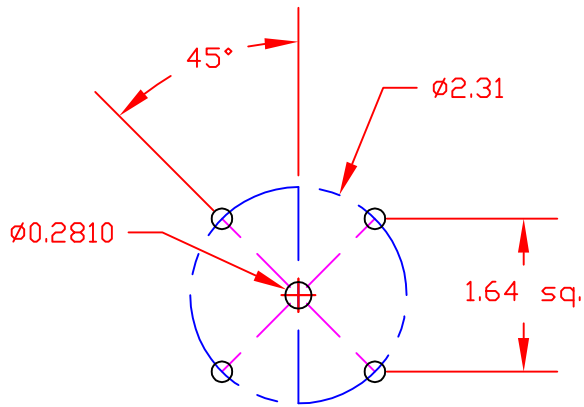
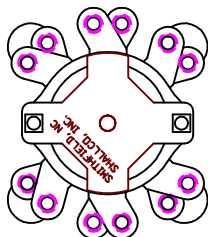
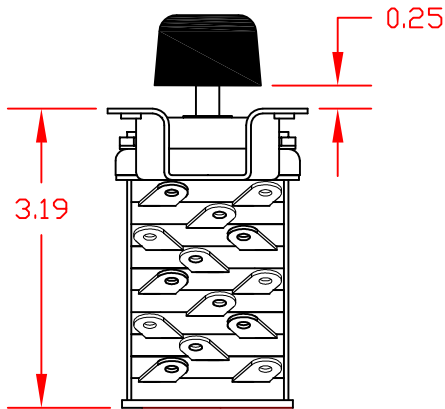
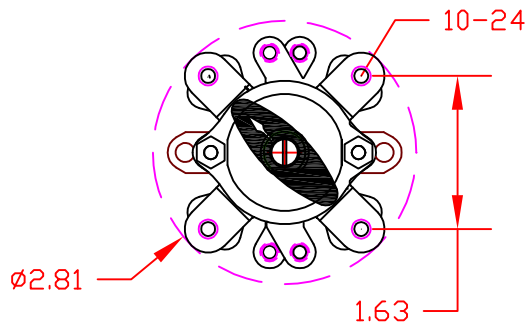
SWITCHING: NON-SHORTING

POSITIONS: 2 (ON-ON)

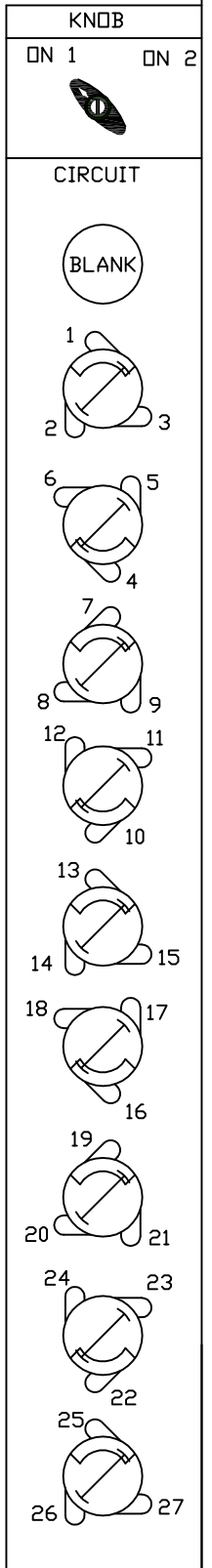
CONTACTS: BREAK BEFORE MAKE

CONSTRUCTION: CLOSED

SUPPLIED WITH TERMINAL SCREWS AND KNOB



MOUNTING DETAIL



PART NUMBER

1B09-2A



308 COMPONENTS DRIVE
SMITHFIELD, NC 27577 USA