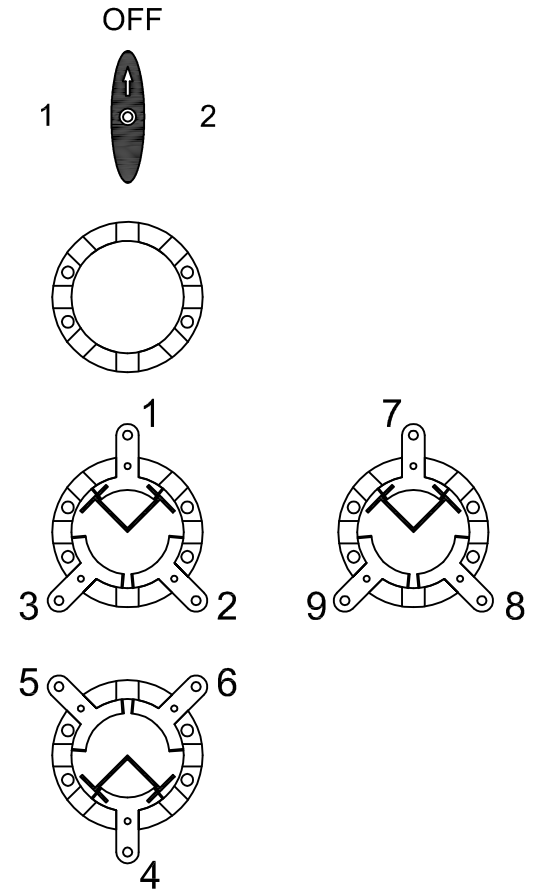


SHALLCO SERIES 7
Part Number: 7C03-3



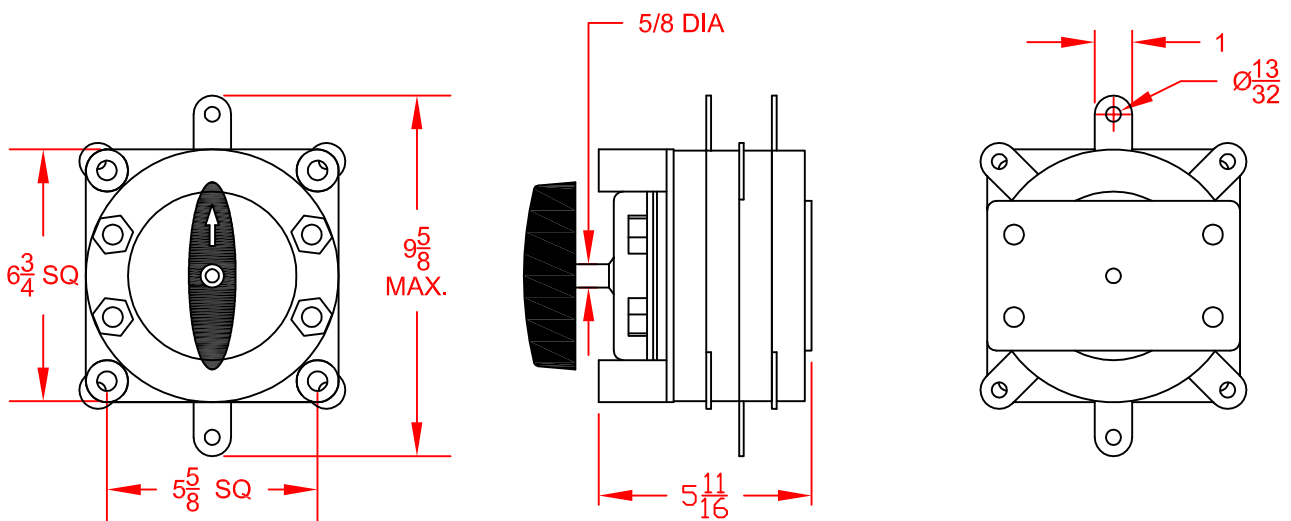
308 COMPONENTS DRIVE
 SMITHFIELD, NC 27577 USA

- Description: Shallco Series 7 Switch
 -No. of Poles: 3
 -No. of Positions: 3
 -Ratings: 200 Amperes at 600 VAC/250 VDC
 -Contacts: Break before make
 -Dielectric Withstanding Voltage: 2000 VRMS
 -Contact Resistance: 1.5 milliohms maximum



DECK	CONTACTS	POSITION		
		1	OFF	2
1	1 — 3	X		
	2 — 2			X
2	4 — 6	X		
	5 — 5			X
3	7 — 9	X		
	8 — 8			X

CONTACT TABLE



308 COMPONENTS DRIVE
 SMITHFIELD, NC 27577 USA

7C03-3